



**Maintenance Library**

**3410/3411**

**Magnetic Tape Unit and Control  
Models 1, 2 and 3**

**Parts Catalog**

## **Preface**

This Illustrated Parts Catalog (IPC) contains listings and illustrations of all replaceable assemblies, subassemblies, and detail parts released to Production Control on or before February 1, 1978 for the 3410/3411 Magnetic Tape Unit and Control Models 1, 2 and 3.

This 3410/3411 Magnetic Tape Unit and Control Parts Catalog Revision Form S132-0006-3 obsoletes the previous edition, Form S132-0006-2

Requests for copies of IBM publications should be made to your IBM representative or to the IBM branch office serving your locality.

This manual has been prepared by the IBM General Products Division, Parts Catalog Department, Department 21S, P. O. Box 1900; Boulder, Colorado 80302.

A form is provided at the back of this publication for reader's comments. If this form has been removed, comments may be sent to the above address.

© Copyright International Business Machines Corp. 1972, 1973, 1978

**CONTENTS**

	HOW TO USE THIS PARTS CATALOG . . . . .	ii
	VISUAL INDEXES . . . . .	v
	FIGURE . . . . .	PAGE
1	Cover, Language and Shipping Groups . . . . .	2
1A	WTC Metallic Cover Assemblies . . . . .	12
2	3411 Final Assembly . . . . .	14
3	3410 Final Assembly . . . . .	24
3A	System 7 Attachment Feature . . . . .	36
3B	System 7 Attachment Feature . . . . . RPQ 7H0002	38
4	Transport Assembly . . . . .	40
5	Gate Assembly . . . . .	50
5A	Power Supply Assembly. 3410-Model 1 . . . . . RPQ 870080 60HZ	54
5B	6V/16AMP Regulator Assembly . . . . .	58
5C	Bulk 1 Power Supply Assembly . . . . .	60
5D	AC Power Supply Assembly . . . . .	62
6	Pneumatic Supply Assemblies . . . . .	64
7	3411 Power Supply Final Assembly . . . . .	68
8	System 3,115/125,3790 AC . . . . . Box Assemblies	76
9	System 360/370 AC Box Assemblies . . . . .	80
10	System 3,115/125,3790 50HZ . . . . . Box Assemblies	84
11	System 360/370 50HZ AC . . . . . Box Assemblies	88
12	50/60HZ DC Box Assemblies . . . . .	92
13	Power Control Assembly 50/60HZ . . . . . 360/370 Systems Only	94
14	Circuit Board Assembly . . . . .	96
15	4VDC Circuit Board Assembly . . . . .	100
16	Cable Assembly Components . . . . .	104
	NUMERICAL INDEX . . . . .	X-1

HOW TO USE THIS ILLUSTRATED PARTS CATALOG (IPC)

PART I

To find parts quickly, a general understanding of the structure of this catalog is necessary. The catalog is divided into three major sections:

- The Visual Index, containing overall views of the machine, with call-outs pointing to detailed figures.
- The Catalog Section, containing a pictorial breakdown of assemblies and subassemblies.
- The Numerical Index, which is a numerical list of all parts used in the machine, with cross-references to the figure on which the part is found.

VISUAL INDEX

The Visual Index, located before the Catalog Section, contains a reduced illustration of every figure in the Catalog Section. The reduced illustrations are tied together with flow arrows to form a natural progression from large assemblies to small assemblies and possibly subassemblies. In effect, a visual table of contents is formed by the Visual Index illustrations.

CATALOG SECTION

The Catalog Section contains the full-sized illustrations previously noted in the Visual Index. Index numbers on figures refer to corresponding entries in the Group Assembly Parts List accompanying each figure. Refer to part II for explanation of terms used in the Group Assembly Parts List.

NUMERICAL INDEX

The Numerical Index is located after the Catalog Section and contains a complete list, in numerical order, of all part numbers used on the machine. Listed with the part number is the index and figure number on which the part is illustrated. The numerical index makes it possible to locate a part when only the part number is known.

STACKED INDEX NUMBERS

Stacked Index numbers are used when showing a part and its attaching hardware. The sequence of a typical stack is shown at the right. The circled index number indicates the assembly is broken down within the figure.

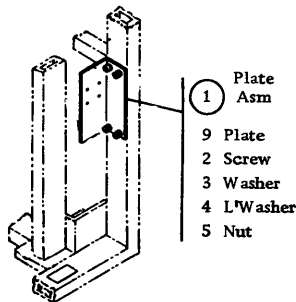


ILLUSTRATION NOTES

Cross-reference notes are directly on the illustration. The illustration's next higher assembly reference, normally located in the upper left corner of the page will read: "For Parts Not Shown See Figure X". If an assembly is referenced to a lower level figure, the note located next to the index number will read: "See Figure X."

DOUBLE LINED DETAIL BOX

The double lined box differentiates between parts shown on the basic model and parts related to a level and/or feature difference. An explanation of the level or feature difference is given in the double lined box.

FINDING A PART

The Visual Index is the starting point for locating a part. The illustrations in the Visual Index are reduced versions of all illustrations in the Catalog Section; therefore, the illustrations can be used to find the assembly containing the desired part. Use references to the detailed figure in the Catalog Section, or to another Visual Index illustration, to determine location of part number.

Once the detailed figure in the catalog section is determined, finding the part on the figure and referring to the listing for the part number and description is all that is required in most cases. If the first catalog section figure referenced shows the assembly containing the required part, the index number for the assembly will reference a lower-level figure where the assembly is broken down to its component parts. If the figure referenced by the Visual Index contains neither the part nor an assembly containing the part, it is then necessary to go to the next higher assembly figure. This figure should then contain the part or an assembly containing the part; if not, an even higher level figure must be used. Refer back to the Visual Index for some other figure that could show the desired part.

Note: Many detailed parts are unavailable, because they are part of an inseparable assembly (two or more parts welded or bonded together), or because they are part of an assembly purchased as a unit. If parts are found on a welded or bonded assembly, the following note follows the description of the assembly: "Assembly components are not replaceable!" If the part is found on a purchased assembly, and the detail parts of this assembly do not have IBM part numbers, the note following the assembly description will read: "Assembly components are not available." In either case, you need to obtain the part number of the assembly, rather than the detailed part.

EXAMPLE FOR ORDERING PARTS

			REF
4 -	5726422	FAN ASM-P/5 ENCLOSURE	
		FOR NEXT HIGHER ASSEMBLY SEE FIGURE 1-184	
		FOR ILLUSTRATION SEE FIGURE 4	
- 1	334921	TERMINAL RING- 18-22 AWG, #6 HOLE, INS	2
- 2	187854	SHIELD, TERMINAL BLOCK- 2 POS	1
- 3	210984	SCREW, RD HD MACH-6-32 X .250 LG	ATT PT 1
- 4	5357050	FAN ASM-NO CONNECTOR	1
- 5	32042	SCREW, MACH BIND. HD 10-32 X .375 LG	ATT PT 2
- 6	5357066	BLADE	1
- 7	5357067	MOTOR 208V/230V 60CY 220V 50CY	1
- 8	130434	SCREW, MACH-SLOTTED HEX HD 10-32 X .375 LG	ATT PT 2
- 9	56079	WASHER, LOCK-EXT T .195ID .410 OD	ATT PT 2
- 10	5726436	HEADER-POWER SUPPLY FAN	1

If the entire fan is required, part number 5726422 should be ordered (all one dot items will be received). If only the subassembly is required, part number 5357050 should be ordered (all two dot items will be received). Each part may be ordered individually.

HOW TO USE THIS ILLUSTRATED PARTS CATALOG (IPC)

PART II

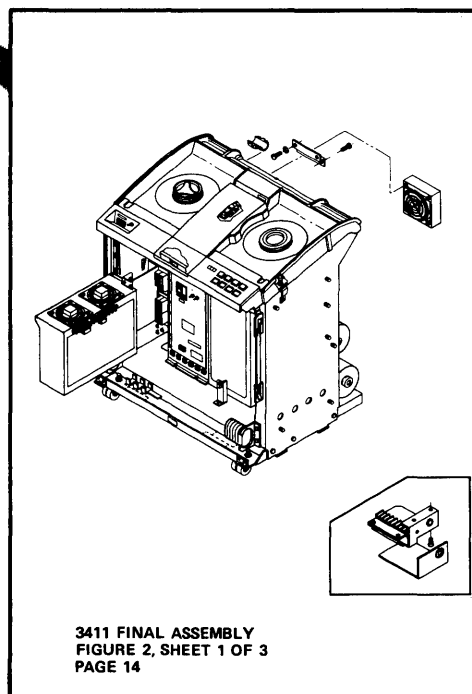
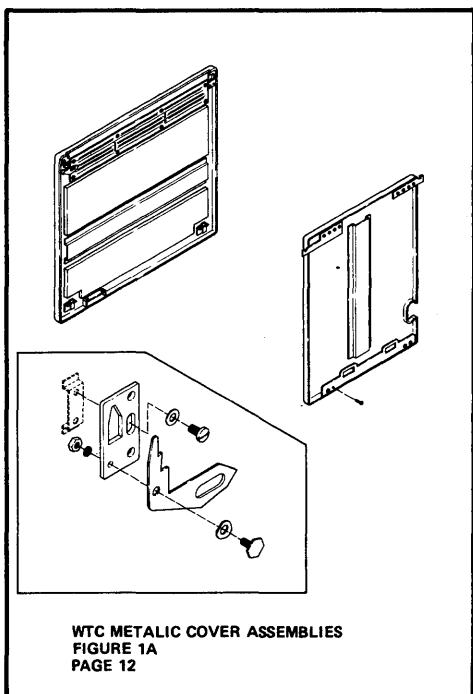
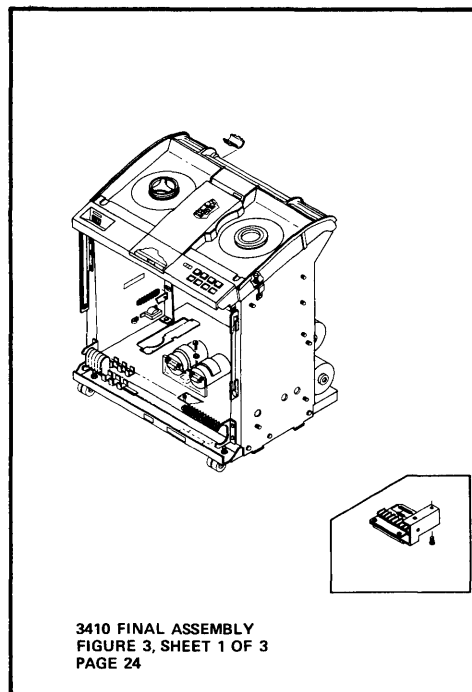
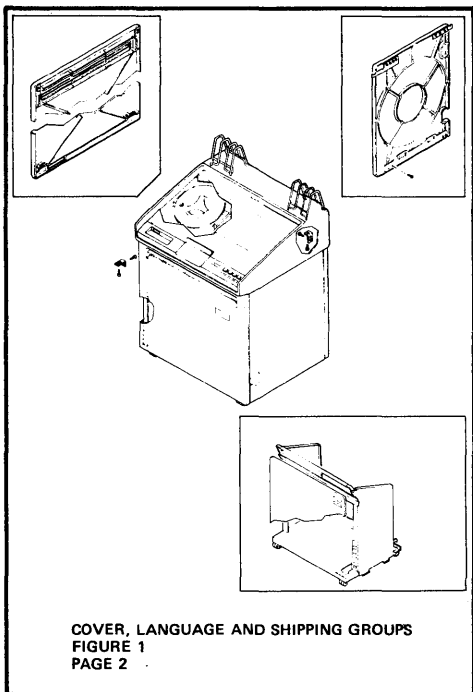
- ① AR  
As Required (AR) in the units per assembly column denotes that the quantity is used as required.
- ② ATT PT  
Attaching Parts: These parts are used to attach a subassembly to an assembly. The attaching parts are listed immediately following the part to be attached.
- ③ "COMM"  
Commercial hardware: When this indication appears in the part number column, it denotes hardware procurable from normal commercial sources and not identified by an IBM part number.
- ④ INDENTURE  
The relationship of a part to its next higher assembly is indicated by indentures. For example:  

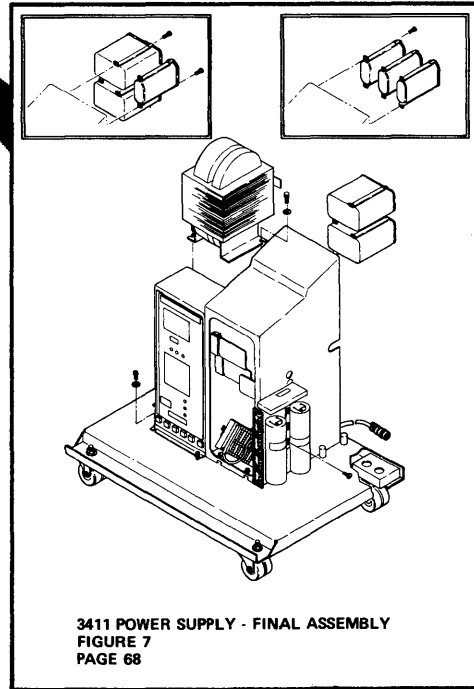
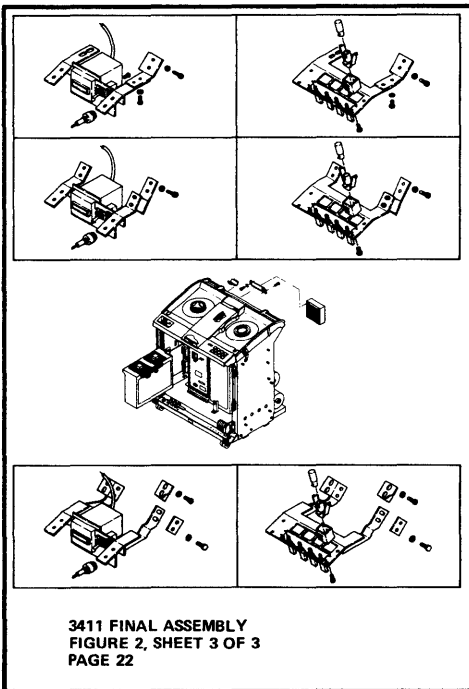
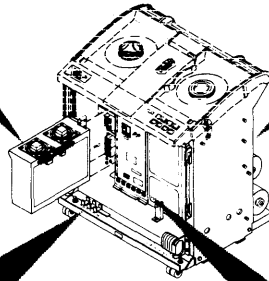
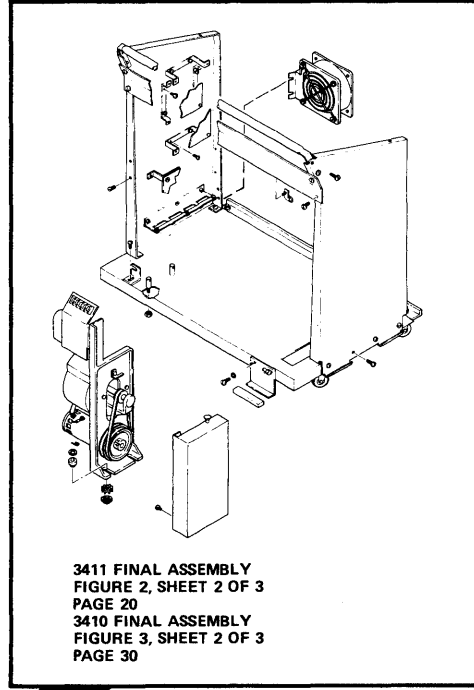
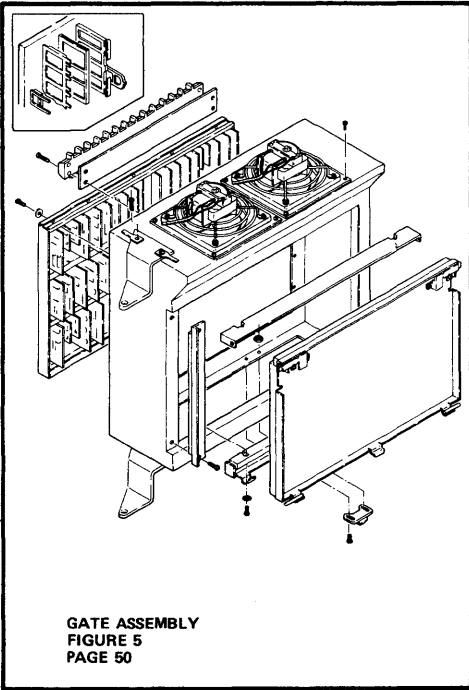
1	2	3	4
Unit			
. Assemblies and Detail Parts of Unit			
. Attaching Parts for Assemblies & Detail Parts			
. . Subassemblies			
. . Attaching Parts for Subassemblies			
. . . Detail Parts for Subassemblies, etc.			
- ⑤ NR  
The entry NR in the part number column denotes the part is procurable but not recommended for field replacement, and that the next higher assembly should be ordered.
- ⑥ NP  
The entry NP in the part number column denotes the assembly is non-procurable and the detail parts should be ordered separately.
- ⑦ NO NO.  
When this indication appears in the part number column, it denotes a group of parts for which no assembly part number has been assigned, and the detail parts should be ordered separately.
- ⑧ REF  
This entry in the units per assembly column denotes an assembly which is completely assembled on a preceding illustration. Quantities for such items are found in its next higher assembly.
- ⑨ SIMILAR ASSEMBLIES  
If two assemblies contain a majority of identical parts, they are broken down on the same list. Common parts are shown by one index number. Parts peculiar to one or the other of the assemblies are listed separately and identified by Usable On Code.
- ⑩ USABLE ON CODE  
Part application and interchangeability is indicated by the usable on code. If this column is blank, the parts pertain to all equipment(s) covered. Two types of codes are used. The alphabetic code denotes similar assemblies and/or features: the numeric code denotes level. Refer to the beginning of each list for the explanation of the code(s).
- ⑪ SUFFIX CODE  
The suffix code indicates the month (alphabetic) and the year (numeric) of the engineering change which affected interchangeability of the part.

EXAMPLE OF PARTS LIST

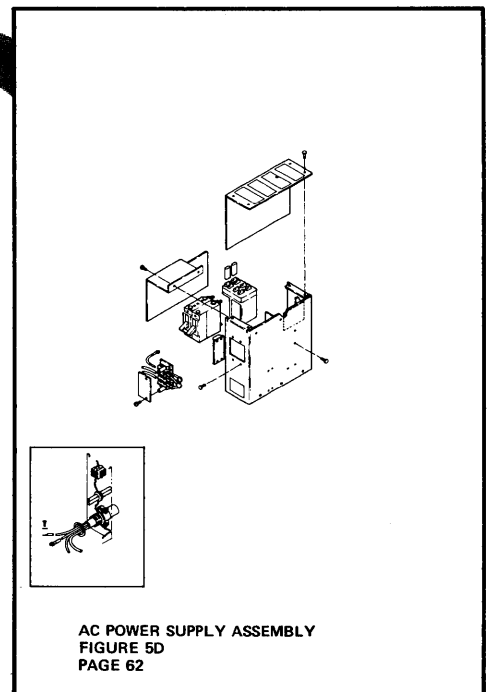
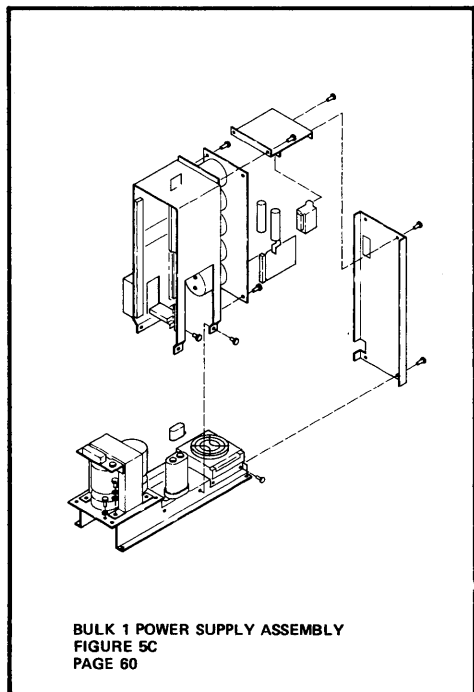
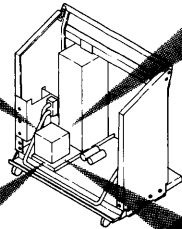
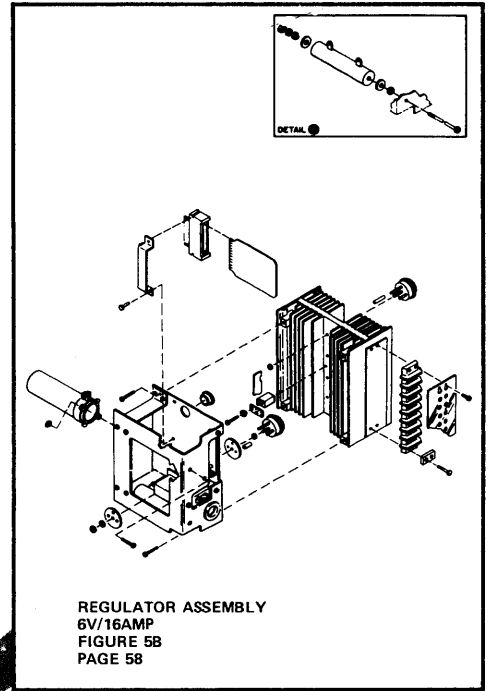
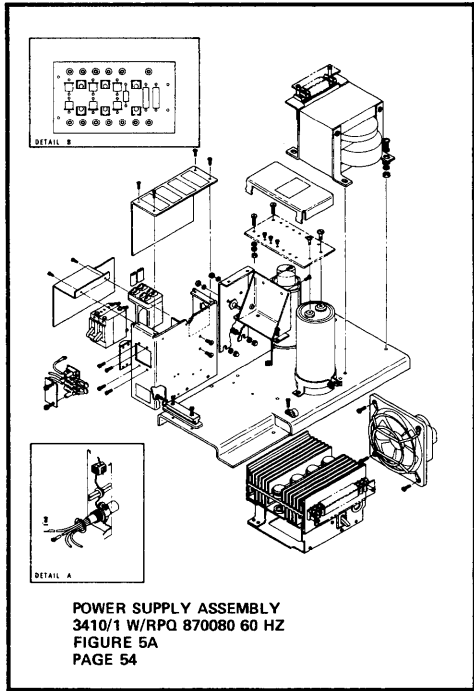
LIST AND INDEX NO.	PART NO.	DESCRIPTION				UNITS PER ASM.	USABLE ON CODE
		1	2	3	4		
		DRIVE MOTOR ASSEMBLY					
2-							
-	2199376 NP				CODE A USED ON 60 CYCLE ONLY	REF	1A
-	2199386 NP				CODE B USED ON 50 CYCLE ONLY	REF	1B
- 1	2204176				CODE 1 USED ON ASM PRIOR TO: B6 SUFFIX	1	
- 1	2199255				MOTOR ASM, DRIVE-115/220 VOLTS 60 CYCLE	1	A
- 2	79842				MOTOR ASM, DRIVE-220 VOLTS 50 CYCLE	1	B
- 3	2204116				FOR NEXT HIGHER ASM SEE FIGURE 1-92	1	A
- 4	NO NO.				FOR ILLUSTRATION SEE FIGURE 2	1	B
- 5	5526				. PULLEY, 60 CYCLE	4	
- 6	2204082				. PULLEY, 50 CYCLE	ATT PT	
- 7	2204033				. SETSCREW, SPLINE DR CUP PT 8-32 X 3/8 LG	ATT PT	
- 8	"COMM"				. MOTOR ASM, 220V AC 60 CYCLE		
- 8	2199258				. MOTOR ASM, 220V AC 50 CYCLE		
- 9	2199401 NR				. SCREW, MACH BIND HD 8-32 X 0.625 LG		
- 9	2199402 NR				. FERRULE, OUTER		
					. FERRULE, INNER		
					. MOTOR, 1/12 HP-220V 60CPS		
					. MOTOR, DRIVE - 220V 50CPS		
					. PLATE, MOTOR MT-115/220 VOLTS 60 CYCLE		A
					. PLATE, MOTOR MT-220 VOLTS 50 CYCLE		B

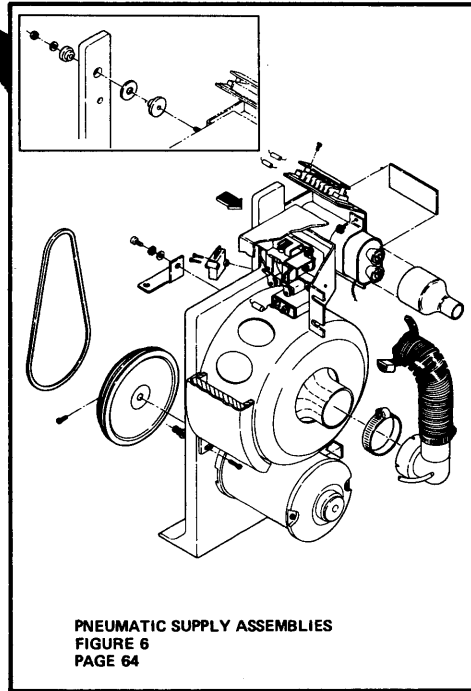
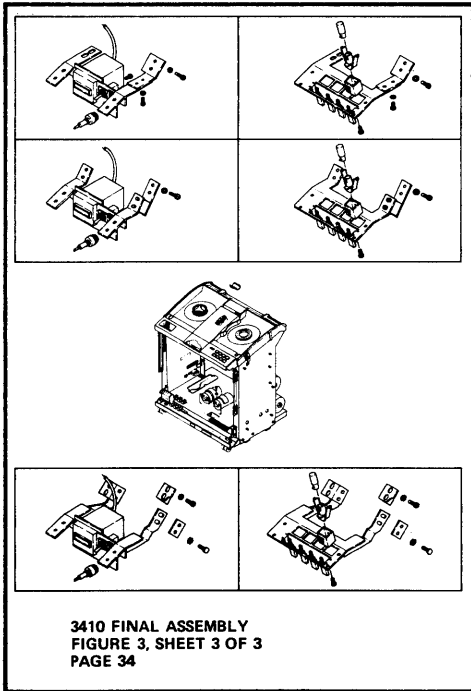
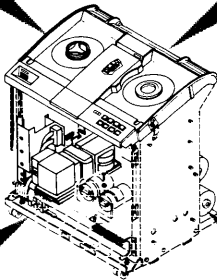
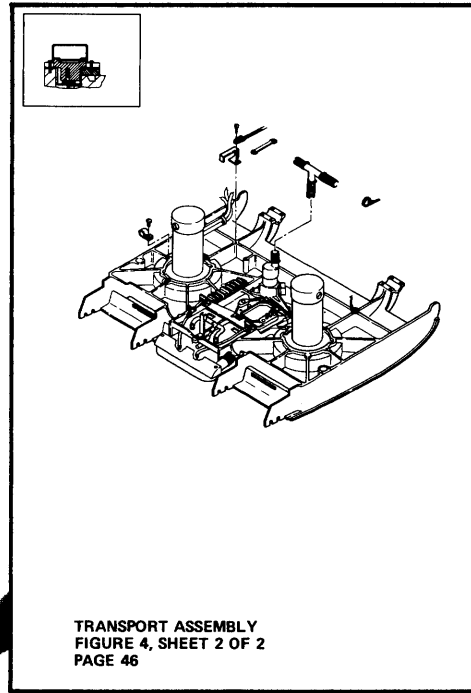
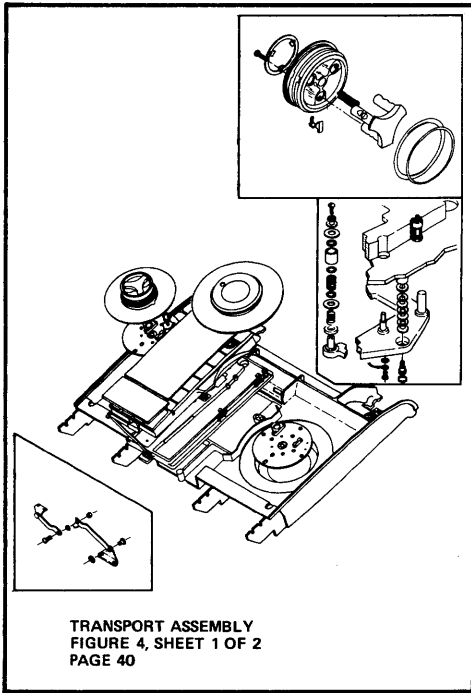
**THIS PAGE INTENTIONALLY LEFT BLANK**

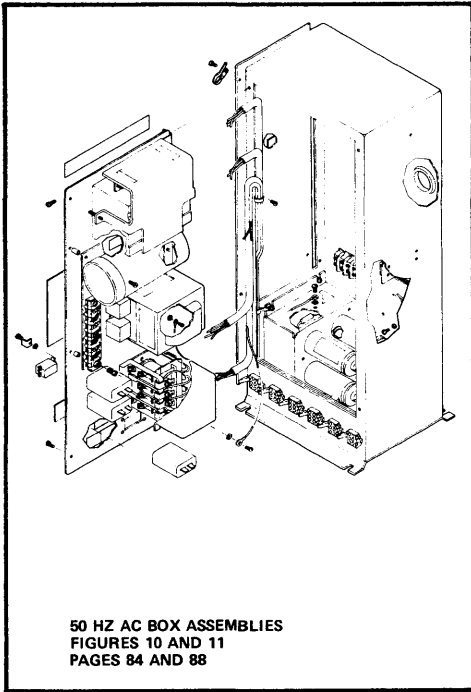




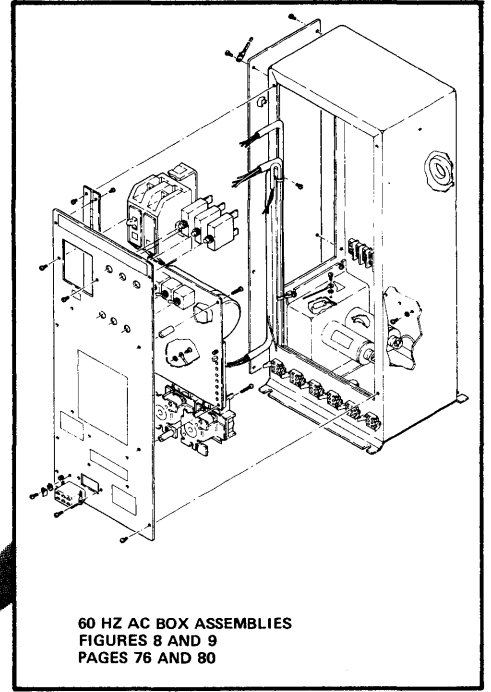




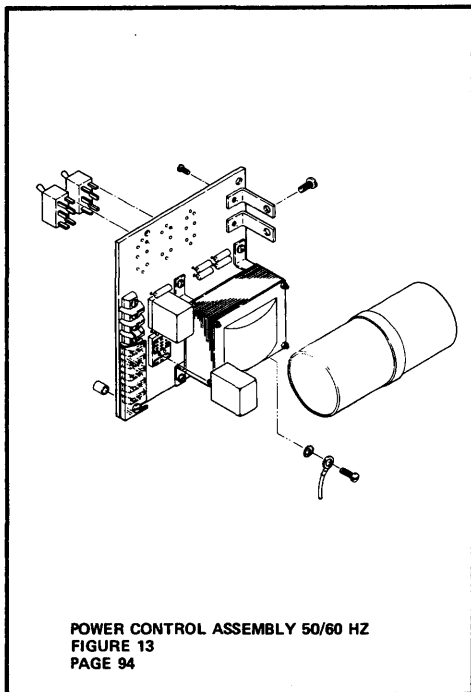




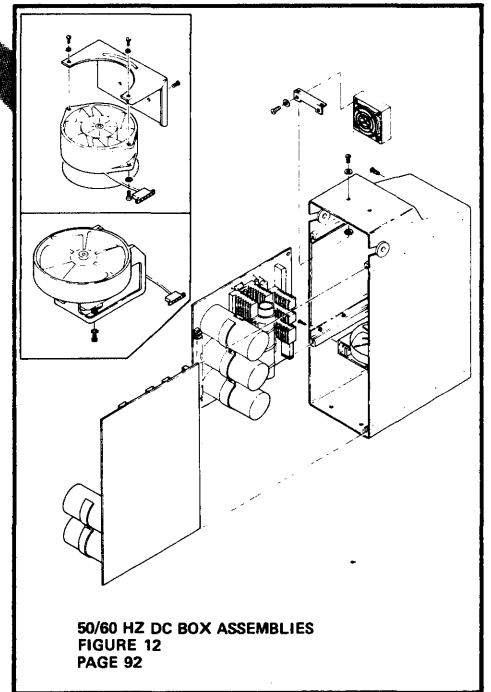
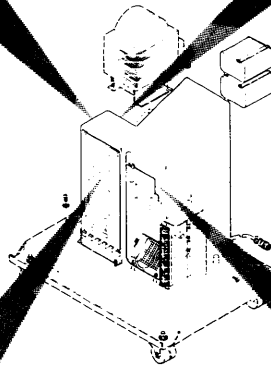
50 HZ AC BOX ASSEMBLIES  
FIGURES 10 AND 11  
PAGES 84 AND 88



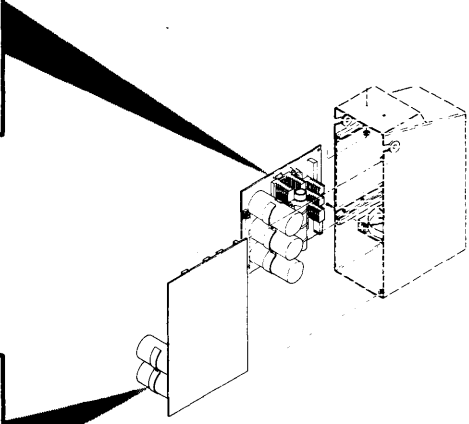
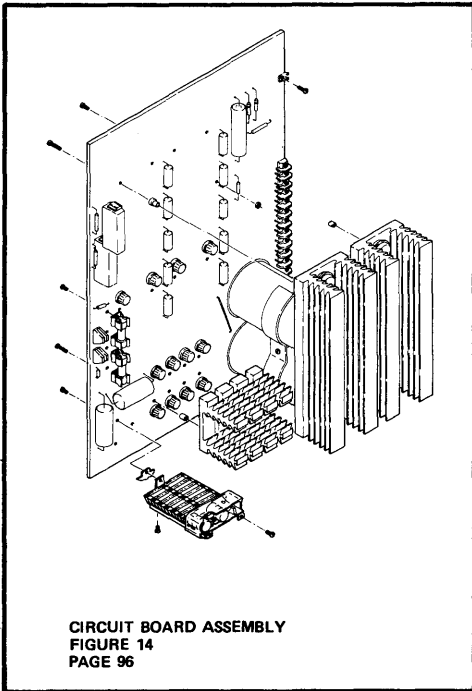
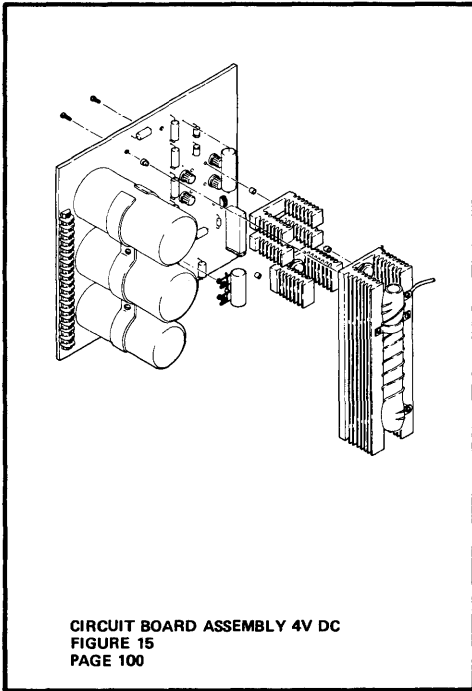
60 HZ AC BOX ASSEMBLIES  
FIGURES 8 AND 9  
PAGES 76 AND 80



POWER CONTROL ASSEMBLY 50/60 HZ  
FIGURE 13  
PAGE 94



50/60 HZ DC BOX ASSEMBLIES  
FIGURE 12  
PAGE 92



**THIS PAGE INTENTIONALLY LEFT BLANK**

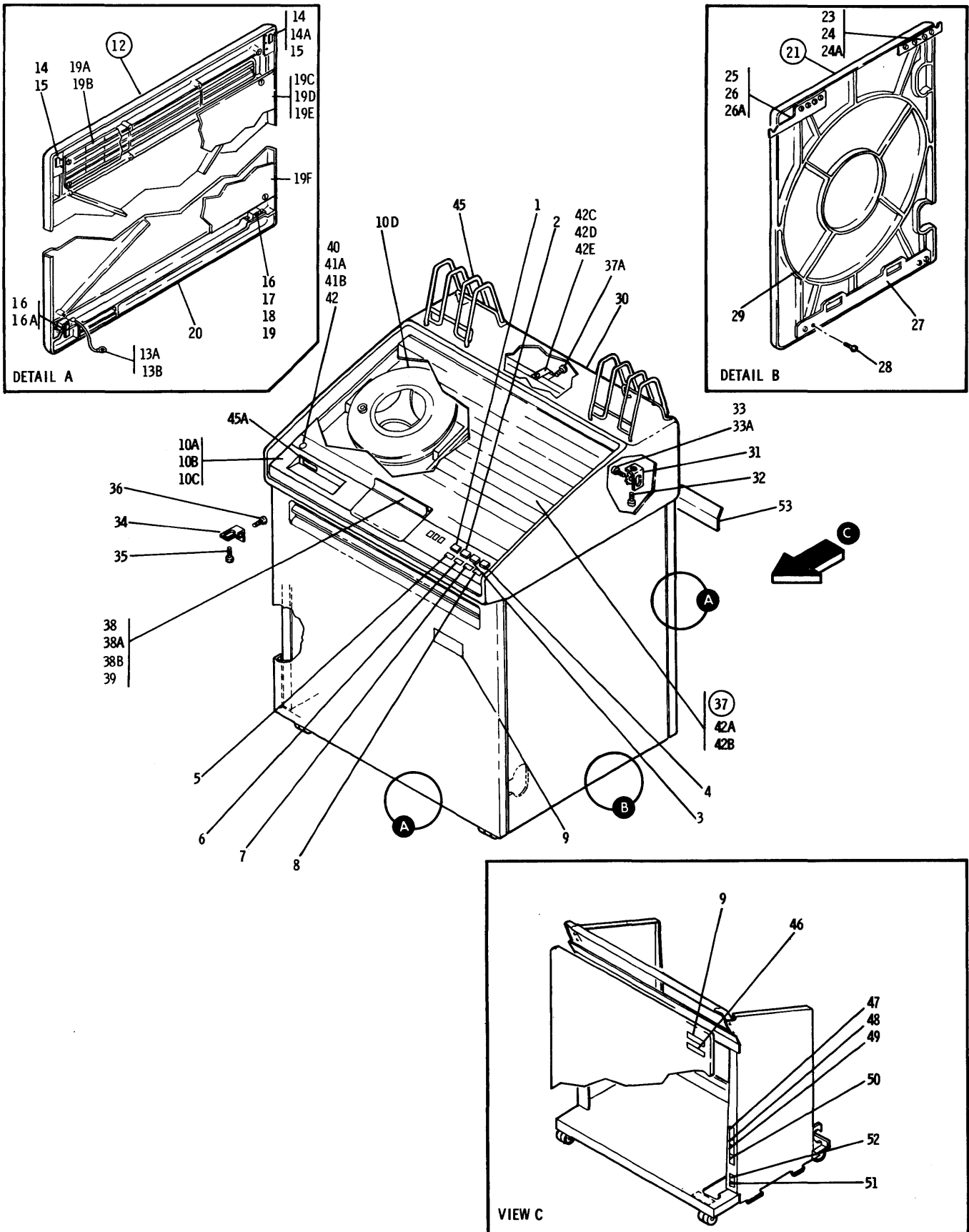


FIGURE 1. COVER, LANGUAGE AND SHIPPING GROUPS. SEE LIST 1.

LIST AND INDEX	PART NUMBER	QTY.	DESCRIPTION
COVER, LANGUAGE AND SHIPPING GROUPS			
1 -	NO NO.	(NP)	LANGUAGE GROUP, ENGLISH
-	NO NO.	(NP)	LANGUAGE GROUP, FRENCH
-	NO NO.	(NP)	LANGUAGE GROUP, GERMAN
-	NO NO.	(NP)	LANGUAGE GROUP, ITALIAN
-	NO NO.	(NP)	LANGUAGE GROUP, SPANISH
-	NO NO.	(NP)	LANGUAGE GROUP, JAPANESE
FOR ILLUSTRATION SEE FIG. 1			
- 1	5373654	(1)	• LENS-SELECT-ENGLISH/JAPANESE
- 1	5386628	(1)	• LENS-SELECTEE-FRENCH
- 1	5386627	(1)	• LENS-AUSWAHL-GERMAN
- 1	2518351	(1)	• LENS, INDIRIZZATA, ITALIAN
- 1	2518359	(1)	• LENS, SELECCION, SPANISH
- 2	5373656	(1)	• LENS-READY-ENGLISH/JAPANESE
- 2	5386630	(1)	• LENS-PRET-FRENCH
- 2	5386629	(1)	• LENS-BEREIT-GERMAN
- 2	2518349	(1)	• LENS, PRONTA, ITALIAN
- 2	2818357	(1)	• LENS, PREPARADA, SPANISH
- 3	5373657	(1)	• LENS-FILE PROTECT-ENGLISH/JAPANESE
- 3	5386632	(1)	• LENS-PROTECT ECRIT-FRENCH
- 3	5386631	(1)	• LENS-SCHREIB-SPERRE-GERMAN
- 3	2518350	(1)	• LENS, PROTEZIONE FILE, ITALIAN
- 3	2518358	(1)	• LENS, PROTECCION DE-FICHERO, SPANISH
- 4	5373655	(1)	• LENS-TAPE INDICATE-ENGLISH/JAPANESE
- 4	5386634	(1)	• LENS-FIN DE BANDE-FRENCH
- 4	5386633	(1)	• LENS-BAND-ANZEIGE-GERMAN
- 4	2518352	(1)	• LENS, INDICATORE NASTRO, ITALIAN
- 4	2518360	(1)	• LENS, INDICACION DE-CINTA, SPANISH
- 5	2517622	(1)	• BUTTON, LOAD REWIND BLUE, ENGLISH/JAPANESE
- 5	2517812	(1)	• BUTTON, CHARG REBOBIN BLUE, FRENCH
- 5	2517816	(1)	• BUTTON, LADEN RUCKSP BLUE, GERMAN
- 5	2518353	(1)	• BUTTON, CARICA, ITALIAN
- 5	2518361	(1)	• BUTTON, CARGA, SPANISH
- 6	2517624	(1)	• BUTTON, START GREEN, ENGLISH/GERMAN/JAPANESE
- 6	2517814	(1)	• BUTTON, DEPART GREEN, FRENCH
- 6	2518355	(1)	• BUTTON, AVVIO, ITALIAN
- 6	2518363	(1)	• BUTTON, ARRANQUE, SPANISH
- 7	2517621	(1)	• BUTTON, UNLOAD REWIND BLUE, ENGLISH/JAPANESE
- 7	2517811	(1)	• BUTTON, DECHARG REBOBIN BLUE, FRENCH
- 7	2517815	(1)	• BUTTON, ENTLAD RUCKSP BLUE, GERMAN
- 7	2518354	(1)	• BUTTON, SCARICO, ITALIAN
- 7	2518362	(1)	• BUTTON, DESCARGA REBOBINADO, SPANISH
- 8	2517623	(1)	• BUTTON, RESET BLUE, ENGLISH/JAPANESE
- 8	2517813	(1)	• BUTTON, RESTAUR BLUE, FRENCH
- 8	2517817	(1)	• BUTTON, STEUER LOSCH BLUE, GERMAN
- 8	2518356	(1)	• BUTTON, RIPRISTINO, ITALIAN
- 8	2518364	(1)	• BUTTON, RESTAURAR, SPANISH
- 9	2518137	(2)	• NAMEPLATE, 3410 MODEL 1, ENGLISH
- 9	2518143	(2)	• NAMEPLATE, 3410 MODEL 2, ENGLISH
- 9	2518149	(2)	• NAMEPLATE, 3410 MODEL 3, ENGLISH
- 9	2518140	(2)	• NAMEPLATE, 3411 MODEL 1, ENGLISH
- 9	2518146	(2)	• NAMEPLATE, 3411 MODEL 2, ENGLISH
- 9	2518152	(2)	• NAMEPLATE, 3411 MODEL 3, ENGLISH
- 9	2518138	(2)	• NAMEPLATE, 3410 MODEL 1, FRENCH
- 9	2518144	(2)	• NAMEPLATE, 3410 MODEL 2, FRENCH
- 9	2518150	(2)	• NAMEPLATE, 3410 MODEL 3, FRENCH
- 9	2518141	(2)	• NAMEPLATE, 3411 MODEL 1, FRENCH
- 9	2518147	(2)	• NAMEPLATE, 3411 MODEL 2, FRENCH
- 9	2518153	(2)	• NAMEPLATE, 3411 MODEL 3, FRENCH
- 9	2518139	(2)	• NAMEPLATE, 3410 MODEL 1, GERMAN
- 9	2518145	(2)	• NAMEPLATE, 3410 MODEL 2, GERMAN
- 9	2518151	(2)	• NAMEPLATE, 3410 MODEL 3, GERMAN
- 9	2518142	(2)	• NAMEPLATE, 3411 MODEL 1, GERMAN
- 9	2518148	(2)	• NAMEPLATE, 3411 MODEL 2, GERMAN
- 9	2518154	(2)	• NAMEPLATE, 3411 MODEL 3, GERMAN
- 9	2518391	(2)	• NAMEPLATE, 3410 MODEL 1, ITALIAN

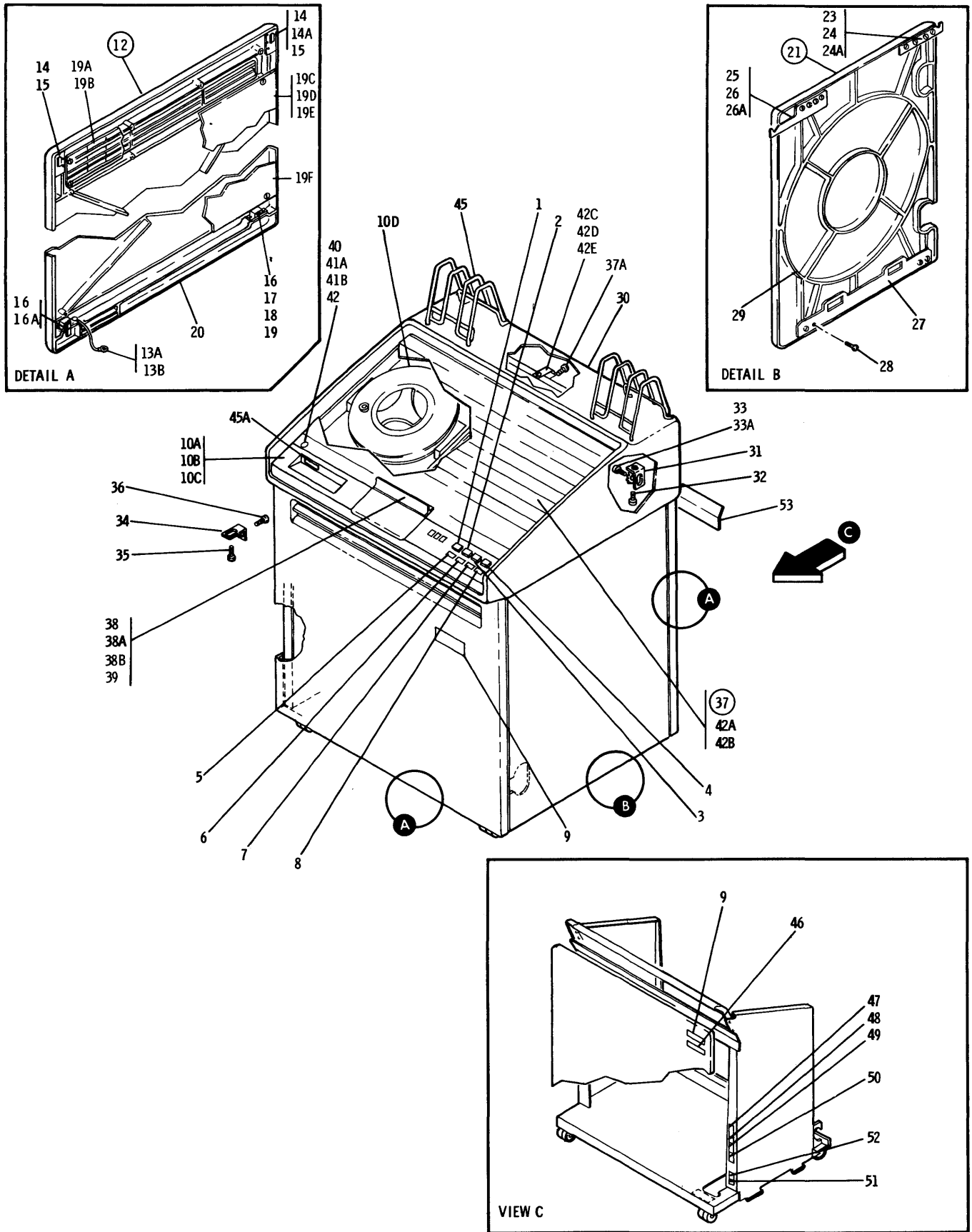


FIGURE 1. COVER, LANGUAGE AND SHIPPING GROUPS. SEE LIST 1.



LIST AND INDEX	PART NUMBER	QTY.	DESCRIPTION
- 9	2518390	(2)	• NAMEPLATE, 3410 MODEL 2, ITALIAN
- 9	2518389	(2)	• NAMEPLATE, 3410 MODEL 3, ITALIAN
- 9	2518388	(2)	• NAMEPLATE, 3411 MODEL 1, ITALIAN
- 9	2518387	(2)	• NAMEPLATE, 3411 MODEL 2, ITALIAN
- 9	2518386	(2)	• NAMEPLATE, 3411 MODEL 3, ITALIAN
- 9	2518385	(2)	• NAMEPLATE, 3410 MODEL 1, SPANISH
- 9	2518384	(2)	• NAMEPLATE, 3410 MODEL 2, SPANISH
- 9	2518383	(2)	• NAMEPLATE, 3410 MODEL 3, SPANISH
- 9	2518382	(2)	• NAMEPLATE, 3411 MODEL 1, SPANISH
- 9	2518381	(2)	• NAMEPLATE, 3411 MODEL 2, SPANISH
- 9	2518380	(2)	• NAMEPLATE, 3411 MODEL 3, SPANISH
- 9	2518397	(2)	• NAMEPLATE, 3410 MODEL 1, JAPANESE
- 9	2518396	(2)	• NAMEPLATE, 3410 MODEL 2, JAPANESE
- 9	2518395	(2)	• NAMEPLATE, 3410 MODEL 3, JAPANESE
- 9	2518394	(2)	• NAMEPLATE, 3411 MODEL 1, JAPANESE
- 9	2518393	(2)	• NAMEPLATE, 3411 MODEL 2, JAPANESE
- 9	2518392	(2)	• NAMEPLATE, 3411 MODEL 3, JAPANESE
- 10A	2518407	(1)	• OPERATORS PANEL, ENGLISH/JAPANESE USED ON 3411 ONLY
- 10A	2518408	(1)	• OPERATORS PANEL, FRENCH USED ON 3411 ONLY
- 10A	2518409	(1)	• OPERATORS PANEL, GERMAN USED ON 3411 ONLY
- 10A	2518410	(1)	• OPERATORS PANEL, ITALIAN USED ON 3411 ONLY
- 10A	2518411	(1)	• OPERATORS PANEL, SPANISH USED ON 3411 ONLY
- 10A	2518233	(REF)	• OPERATORS PANEL USED ON 3410 ALL MODELS
- 10B	34512	(REF)	• SCREW, MACH-BIND HD 8-32 X 3/8 LG
- 10C	45690	(REF)	• WASHER, FL NO. 10 X 7/16 OD X 1/32 THK
- 10D	NO NO.	(NP)	CARTRIDGE ASM, WITH TAPE
- 11	2518133	(NP)	COVER GROUP, RED (DOM)
- 11	2518204	(NP)	COVER GROUP, RED (WTC) USED ON 3410 ONLY
- 11	2518195	(NP)	COVER GROUP, RED (DOM)
- 11	2518213	(NP)	COVER GROUP, RED (WTC) USED ON 3411 ONLY
- 11	2518134	(NP)	COVER GROUP, YELLOW (DOM)
- 11	2518206	(NP)	COVER GROUP, YELLOW (WTC) USED ON 3410 ONLY
- 11	2518197	(NP)	COVER GROUP, YELLOW (DOM)
- 11	2518215	(NP)	COVER GROUP, YELLOW (WTC) USED ON 3411 ONLY
- 11	2518135	(NP)	COVER GROUP, BLUE (DOM)
- 11	2518205	(NP)	COVER GROUP, BLUE (WTC) USED ON 3410 ONLY
- 11	2518196	(NP)	COVER GROUP, BLUE (DOM)
- 11	2518214	(NP)	COVER GROUP, BLUE (WTC) USED ON 3411 ONLY
- 11	2518136	(NP)	COVER GROUP, CHARCOAL (DOM)
- 11	2518203	(NP)	COVER GROUP, CHARCOAL (WTC) USED ON 3410 ONLY
- 11	2518194	(NP)	COVER GROUP, CHARCOAL (DOM)
- 11	2518212	(NP)	COVER GROUP, CHARCOAL (WTC) USED ON 3411 ONLY
- 11	2517918	(NP)	COVER GROUP, WHITE (DOM)
- 11	2517920	(NP)	COVER GROUP, WHITE (WTC) USED ON 3410 ONLY
- 11	2517919	(NP)	COVER GROUP, WHITE (DOM)
- 11	2517921	(NP)	COVER GROUP, WHITE (WTC) USED ON 3411 ONLY
- 12	2517707	(1)	• COVER ASM, FRONT, RED/WITHOUT LATCH (DOM)
- 12	2518199	(1)	• COVER ASM, FRONT, RED/WITH LATCH (WTC) USED ON 3410 ONLY
- 12	2518473	(1)	• COVER ASM, FRONT, RED/WITHOUT LATCH (DOM)

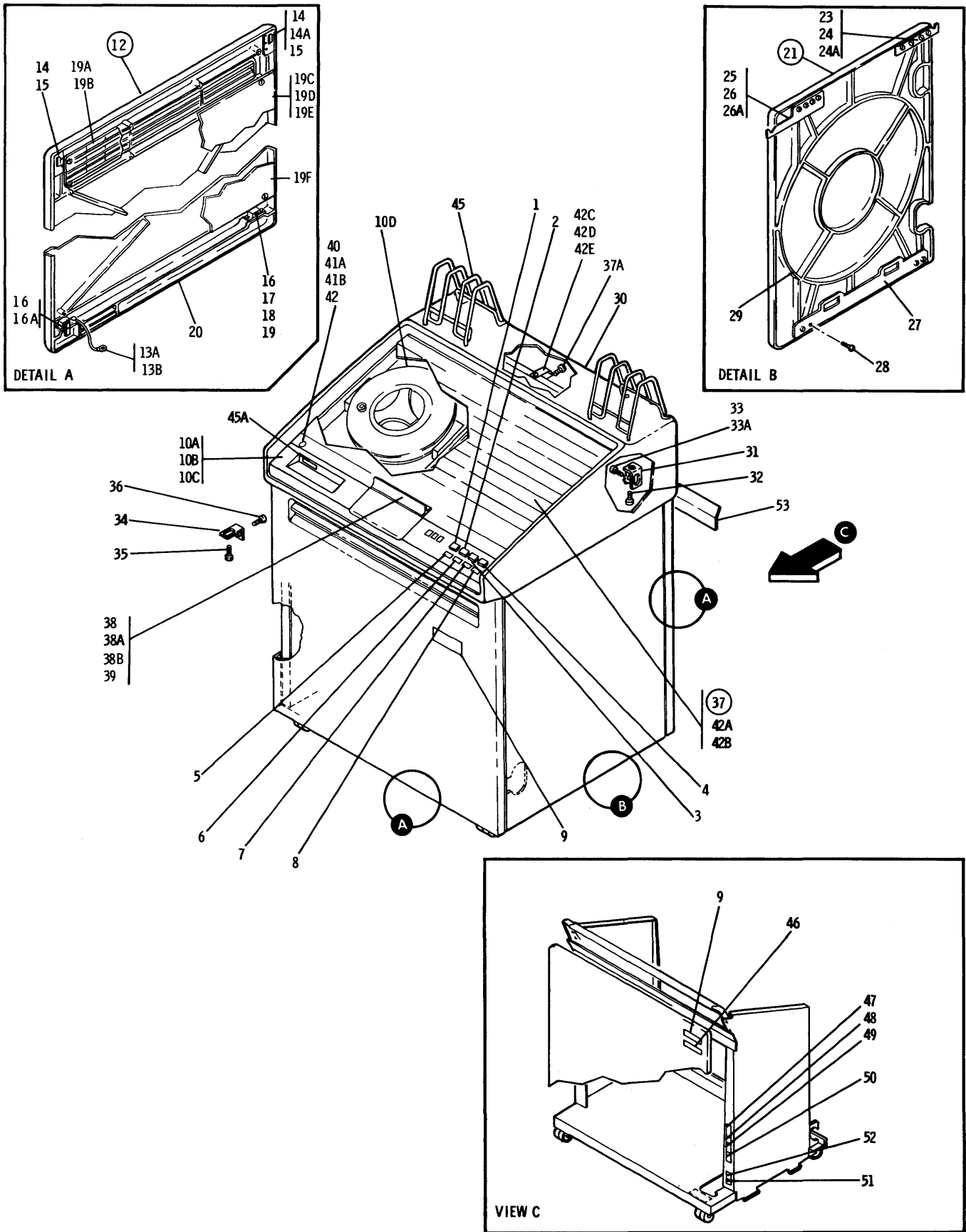


FIGURE 1. COVER, LANGUAGE AND SHIPPING GROUPS. SEE LIST 1.

LIST AND INDEX	PART NUMBER	QTY.	DESCRIPTION
- 12	2518208	(1)	• COVER ASM, FRONT, RED/WITH LATCH (WTC) USED ON 3411 ONLY
- 12	2517709	(1)	• COVER ASM, FRONT, YELLOW/WITHOUT LATCH (DOM)
- 12	2518201	(1)	• COVER ASM, FRONT, YELLOW/WITH LATCH (WTC) USED ON 3410 ONLY
- 12	2518475	(1)	• COVER ASM, FRONT, YELLOW/WITHOUT LATCH (DOM)
- 12	2518210	(1)	• COVER ASM, FRONT, YELLOW/WITH LATCH (WTC) USED ON 3411 ONLY
- 12	2517708	(1)	• COVER ASM, FRONT, BLUE/WITHOUT LATCH (DOM)
- 12	2518200	(1)	• COVER ASM, FRONT, BLUE/WITH LATCH (WTC) USED ON 3410 ONLY
- 12	2518474	(1)	• COVER ASM, FRONT, BLUE/WITHOUT LATCH (DOM)
- 12	2518209	(1)	• COVER ASM, FRONT, BLUE/WITH LATCH (WTC) USED ON 3411 ONLY
- 12	2517706	(1)	• COVER ASM, FRONT, CHARCOAL/WITHOUT LATCH (DOM)
- 12	2518198	(1)	• COVER ASM, FRONT, CHARCOAL/WITH LATCH (WTC) USED ON 3410 ONLY
- 12	2518472	(1)	• COVER ASM, FRONT, CHARCOAL/WITHOUT LATCH (DOM)
- 12	2518207	(1)	• COVER ASM, FRONT, CHARCOAL/WITH LATCH (WTC) USED ON 3411 ONLY
- 12	2517914	(1)	• COVER ASM, FRONT, WHITE/WITHOUT LATCH (DOM)
- 12	2517913	(1)	• COVER ASM, FRONT, WHITE/WITH LATCH (WTC) USED ON 3410 ONLY
- 12	2517917	(1)	• COVER ASM, FRONT, WHITE/WITHOUT LATCH (DOM)
- 12	2517916	(1)	• COVER ASM, FRONT, WHITE/WITH LATCH (WTC) USED ON 3411 ONLY
- 12	2517710	(1)	• COVER ASM, REAR, CHARCOAL/WITHOUT LATCH (DOM)
- 12	2518202	(1)	• COVER ASM, REAR, CHARCOAL/WITH LATCH (WTC) USED ON 3410 ONLY
- 12	2518476	(1)	• COVER ASM, REAR, CHARCOAL/WITHOUT LATCH (DOM)
- 12	2518211	(1)	• COVER ASM, REAR, CHARCOAL/WITH LATCH (WTC) USED ON 3411 ONLY
- 13A	528484	(2)	• GROUND STRAP
- 13B	56079	(2)	• WASHER, LOCK - EXT TH .204ID x .410OD
- 14	2517691	(2)	• • PLATE, COVER MTG.
- 14	2518166	(AR)	• • LATCH ASM USED ON WTC ONLY
- 14A	2518167	(AR)	• • LATCH ASM USED ON WTC ONLY
- 15	2517737	(4)	• • SCREW, SELF TAP, PAN HD, 10-16 X .500 LG
- 16	739278	(2)	• • LATCH-MAGNET
- 16	2518034	(AR)	• • TAB,DROP IN TYPE COVER
- 16A	2518035	(1)	• • FINGERSTOCK ASM USED ON 3411 ONLY
- 17	38354	(4)	• • SCREW,MACH-FIL H 6-32 X 1/2 LG
- 18	56722	(8)	• • WASHER-LOCK,EXT T, .150 ID
- 19	257187	(4)	• • NUT-HEX NO. 6-32 NC
- 19A	2518479	(1)	• INSERT,RED
- 19A	2518482	(1)	• INSERT,YELLOW
- 19A	2518480	(1)	• INSERT,BLUE
- 19A	2518481	(1)	• INSERT,CHARCOAL
- 19A	2517915	(1)	• INSERT,WHITE
- 19B	2517737	(8)	• • SCREW
- 19C	2518470	(1)	• • PLATE
- 19D	2517737	(6)	• • SCREW
- 19E	110114	(4)	• • WASHER
- 19F	2518517	(1)	• • FOAM, COVER
- 20	2518338	(NP)	• • COVER, FRONT, RED
- 20	2518341	(NP)	• • COVER, FRONT, YELLOW
- 20	2518339	(NP)	• • COVER, FRONT, BLUE
- 20	2518340	(NP)	• • COVER, FRONT, CHARCOAL
- 20	2517912	(NP)	• • COVER, FRONT, WHITE
- 20	2518340	(NP)	• • COVER, REAR, CHARCOAL
- 21	2517698	(AR)	• COVER ASM, RIGHT SIDE, W/CABLE ENTRY
- 21	2517701	(AR)	• COVER ASM, RIGHT SIDE, W/OUT CABLE ENTRY
- 21	2517699	(AR)	• COVER ASM, LEFT SIDE, W/CABLE ENTRY
- 21	2517702	(AR)	• COVER ASM, LEFT SIDE, W/OUT CABLE ENTRY

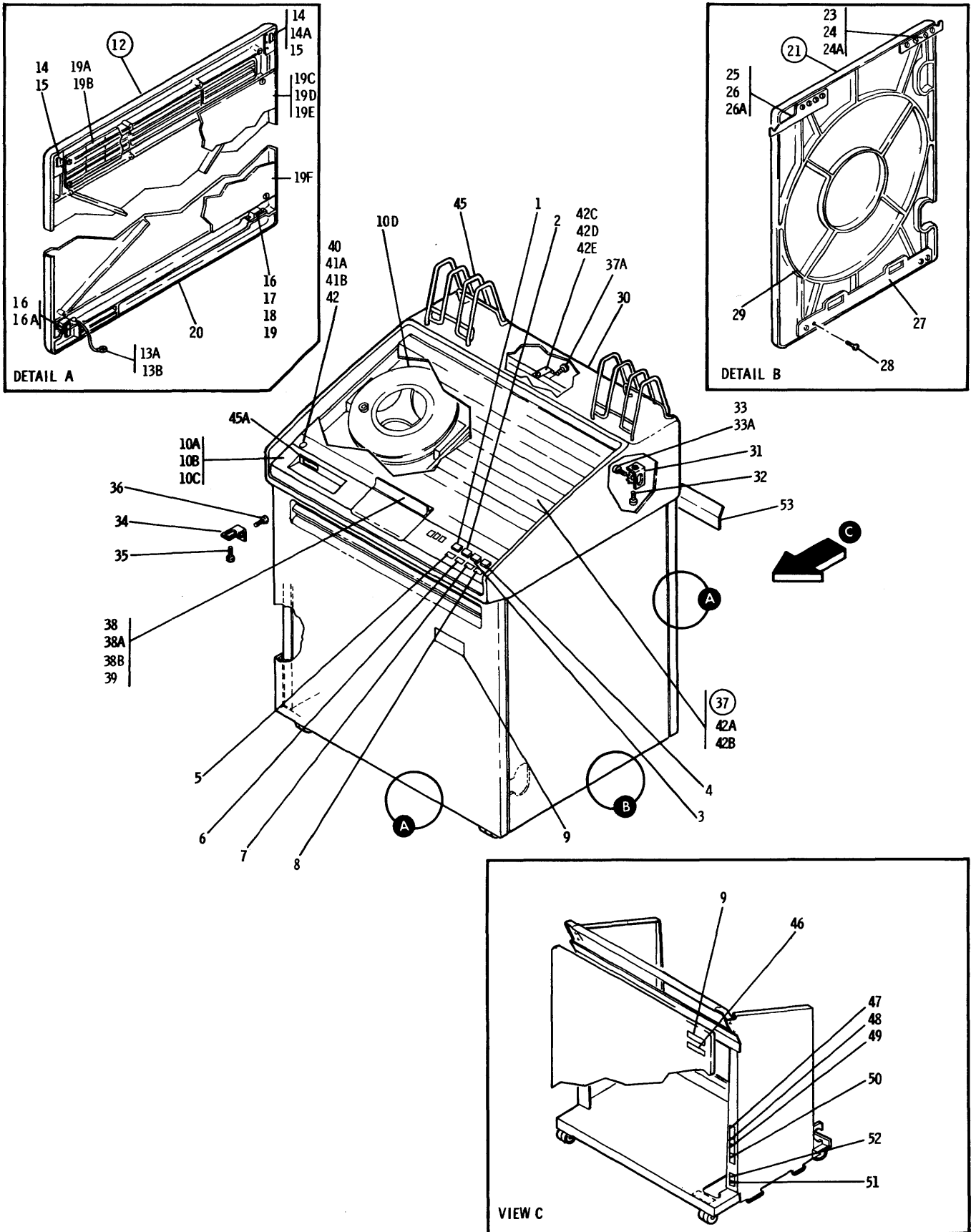


FIGURE 1. COVER, LANGUAGE AND SHIPPING GROUPS. SEE LIST 1.

LIST AND INDEX	PART NUMBER	QTY.	DESCRIPTION
- 23	2517693	(1)	• • BRACKET, COVER MTG
- 24	2517737	(2)	• • SCREW, SELF TAP, PAN HD, 10-16 X .500 LG
- 24 A	32042	(2)	• • SCREW, MACH BIND HD 10-32X3/8 LG
- 25	2517692	(1)	• • BRACKET, COVER MTG
- 26	2517737	(2)	• • SCREW, SELF TAP, PAN HD, 10-16 X .500 LG
- 26 A	32042	(2)	• • SCREW, MACH BIND HD 10-32X3/8 LG
- 27	2517694	(1)	• • BRACKET, SIDE COVER MTG.
- 28	2517737	(4)	• • SCREW, SELF TAP, PAN HD, 10-16 X .500 LG
- 29	2517695	(NP)	• • COVER, RIGHT AND LEFT SIDE, W/OUT CABLE ENTRY
- 29	1773873	(NP)	• • COVER, RIGHT AND LEFT SIDE, W/OUT CABLE ENTRY USED ON WTC MACHINES ONLY
- 29	2517696	(NP)	• • COVER, RIGHT SIDE, W/CABLE ENTRY
- 29	1773895	(NP)	• • COVER, RIGHT SIDE, W/CABLE ENTRY USED ON WTC MACHINES ONLY
- 29	2517697	(NP)	• • COVER, LEFT SIDE, W/CABLE ENTRY
- 29	1773874	(NP)	• • COVER, LEFT SIDE, W/CABLE ENTRY USED ON WTC MACHINES ONLY
- 30	2518332	(1)	• COVER, TOP
- 31	2517717	(2)	• BRACKET
- 32	2181004	(2)	• SCREW,THREAD FORMING-HEX WASHER HD
- 33	236849	(2)	• SCREW,MACH-BIND HD 10-32 X 1/4 LG
- 33 A	56079	(2)	• WASHER-LOCK, EXT T .204 ID .410 OD
- 34	2517718	(4)	• BRACKET
- 35	2181004	(4)	• SCREW,THREAD FORMING-HEX WASHER HD
- 36	32042	(4)	• SCREW, MACH BIND HD 10-32 X 3/8 LG
- 37	2517665	(1)	• TAMBOUR ASSEMBLY (USED WITH PLASTIC GUIDES)
- 37	2517910	(1)	• TAMBOUR ASSEMBLY (USED WITH METAL GUIDES)
- 37 A	2181004	(1)	• SCREW, THREAD FORMING-HEX WASHER HD
- 38	2517662	(1)	• • HANDLE, TAMBOUR
- 38 A	2518323	(1)	• • PLATE, HANDLE MTG
- 38 B	2518540	(1)	• • TAPE, PLATE
- 39	32042	(2)	• • SCREW, MACH BIND. HD 10-32 X 3/8 LG.
- 40	2517666	(2)	• • BUMPER, TAMBOUR
- 41	2121379	(2)	• • SCREW, MACH BUTTON HD 6-32 X 1/4 LG.
- 41 A	2173782	(2)	• O-RING
- 41 B	161351	(2)	• WASHER
- 42	2517663	(2)	• • NUT, TAMBOUR STOP MTG.
- 42 A	2518280	(1)	• • BRACKET, MTG
- 42 B	5357136	(2)	• • SCREW,PAN HD-SELF TAP 4-40 X .187 LG
- 42 C	2518487	(1)	• • STRAP
- 42 D	2518486	(1)	• • PLATE, NUT
- 42 E	627901	(1)	• • SCREW,

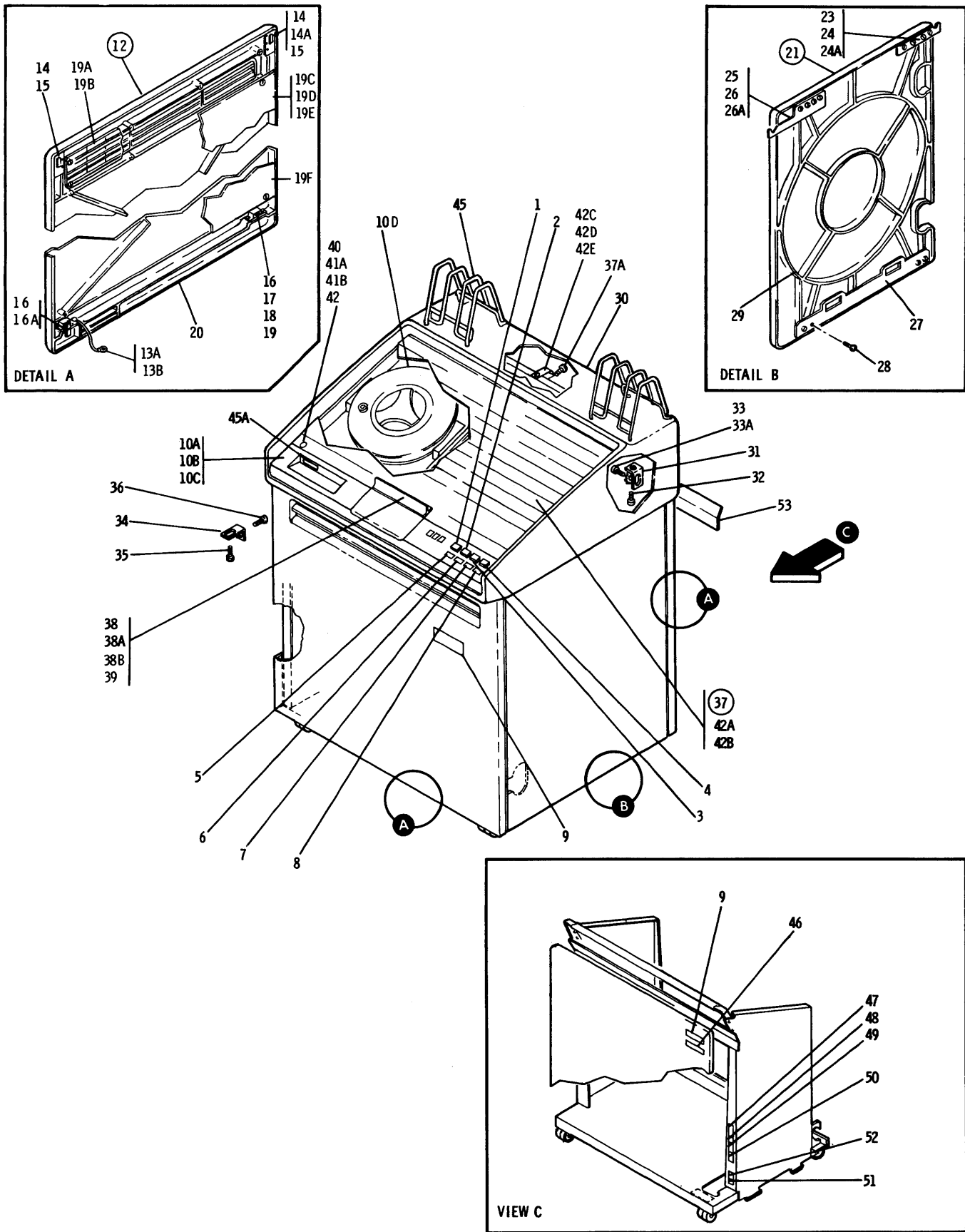


FIGURE 1. COVER, LANGUAGE AND SHIPPING GROUPS. SEE LIST 1.

LIST AND INDEX	PART NUMBER	QTY.	DESCRIPTION
- 44	2518129	(NP)	SHIPPING GROUP 3410-1,2,3
- 44	2518130	(NP)	SHIPPING GROUP 3411-1,2,3
- 45	2517752	(1)	• RACK, 3 POSITION
- 45A	5371671	(1)	• LABEL, METER
- 46	855285	(AR)	• LABEL, U.K. IMPORT
- 47	855282	(AR)	• PLATE, SERIAL LEFT
- 48	855283	(AR)	• PLATE, SERIAL RIGHT
- 49	855262	(AR)	• PLATE, PROPERTY DOMESTIC
- 49	855263	(AR)	• PLATE, PROPERTY WTC
- 49	960746	(AR)	• PLATE, CANADIAN PROPERTY
- 50	855284	(AR)	• PLATE, MFG EXPORT
- 51	960766	(AR)	• PLATE, CSA INSIGNIA
- 51	855286	(AR)	• PLATE, UL APP
- 52	2518177	(AR)	• PLATE, POWER RATING, 3411 MODEL 1, 60HZ
- 52	2518178	(AR)	• PLATE, POWER RATING, 3411 MODEL 2, 60HZ
- 52	2518179	(AR)	• PLATE, POWER RATING, 3411 MODEL 3, 60HZ
- 52	2518180	(AR)	• PLATE, POWER RATING, 3411 MODEL 1, 50HZ
- 52	2518181	(AR)	• PLATE, POWER RATING, 3411 MODEL 2, 50HZ
- 52	2518182	(AR)	• PLATE, POWER RATING, 3411 MODEL 3, 50HZ
- 52	2518183	(AR)	• PLATE, POWER RATING, 3410 MODEL 1, 60HZ FOR MACHINES WITHOUT 870080 RPQ FEAT
- 52	2518184	(AR)	• PLATE, POWER RATING, 3410 MODEL 2, 60HZ
- 52	2518185	(AR)	• PLATE, POWER RATING, 3410 MODEL 3, 60HZ
- 52	2518186	(AR)	• PLATE, POWER RATING, 3410 MODEL 1, 50HZ
- 52	2518187	(AR)	• PLATE, POWER RATING, 3410 MODEL 2, 50HZ
- 52	2518188	(AR)	• PLATE, POWER RATING, 3410 MODEL 3, 50HZ
- 52	1766337	(AR)	• PLATE, POWER RATING, 3410 MODEL 1, 60HZ FOR MACHINES WITH 870080 RPQ FEAT
- 53	2518331	(1)	• STRIP, DECORATIVE (ALL MODELS)

END OF LIST 1.

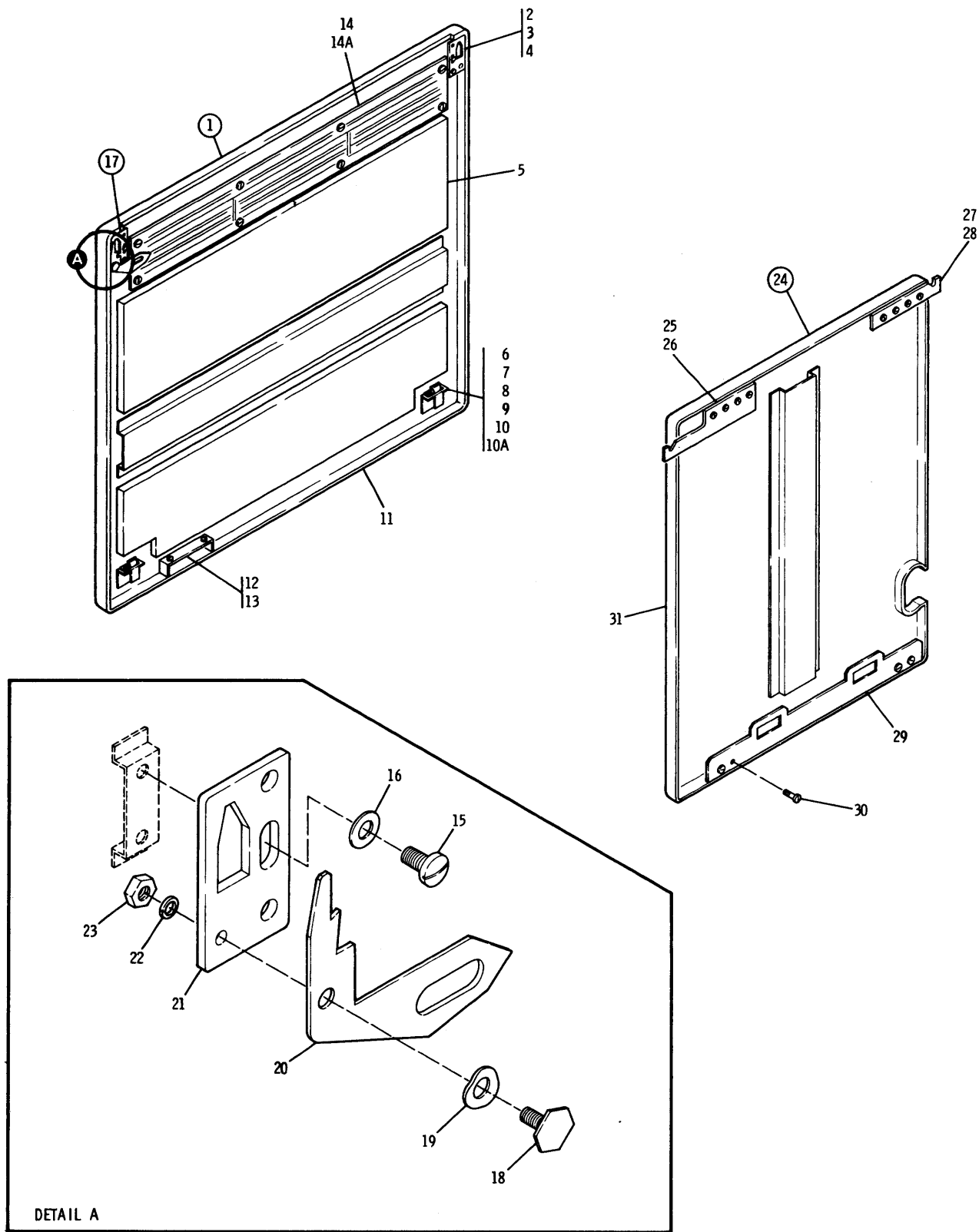


FIGURE 1A. WTC METALIC COVER ASSEMBLIES. SEE LIST 1A.



LIST AND INDEX	PART NUMBER	QTY.	DESCRIPTION
3410/3411 METALIC COVER ASSEMBLIES (WTC ONLY)			
1A -	NO NO.	(NP)	COVER ASMS,METALIC (WTC ONLY)
- 1	1773873	(1)	• COVER ASM,FRONT-CHARCOAL 3410/3411
- 1	1773874	(1)	• COVER ASM,FRONT-RED 3410/3411
- 1	1773875	(1)	• COVER ASM,FRONT-BLUE 3410/3411
- 1	1773876	(1)	• COVER ASM,FRONT-YELLOW 3410/3411
- 1	1773882	(1)	• COVER ASM,FRONT-WHITE 3410/3411
- 1	1773883	(1)	• COVER ASM,REAR-CHARCOAL 3411 ONLY
- 1	1773926	(1)	• COVER ASM,REAR-CHARCOAL 3410 ONLY
- 2	2517691	(1)	• • PLATE,COVER MTG
- 3	32042	(2)	• • SCREW,BIND HD 10-32 X 3/8 LG
- 4	45690	(2)	• • WASHER,FLAT .203 ID X .437 OD
- 5	1773820	(2)	• • FOAM
- 6	2518035	(2)	• • FINGERSTOCK ASM
- 7	38454	(4)	• • SCREW,FIL HD 6-32 X1/2 LG
- 8	56722	(8)	• • WASHER,EXT TOOTH .150 ID
- 9	257187	(4)	• • NUT,HEX 6-32
- 10	1847604	(2)	• • • FINGERSTOCK
- 10A	2518036	(2)	• • • BRACKET
- 11	1773877	(1)	• • COVER,FRONT-CHARCOAL
- 11	1773878	(1)	• • COVER,FRONT-RED
- 11	1773879	(1)	• • COVER,FRONT-BLUE
- 11	1773880	(1)	• • COVER,FRONT-YELLOW
- 11	1773881	(1)	• • COVER,FRONT-WHITE
- 11	1773884	(1)	• • COVER,REAR-CHARCOAL 3411 ONLY
- 11	1773877	(1)	• • COVER,REAR-CHARCOAL 3410 ONLY
- 12	1773818	(1)	• • BRACKET,REAR COVER 3411 ONLY
- 13	32042	(2)	• • SCREW,BIND HD 10-32 X 3/8 LG
- 14	2518479	(1)	• INSERT,RED
- 14	2518482	(1)	• INSERT,YELLOW
- 14	2518480	(1)	• INSERT,BLUE
- 14	2518481	(1)	• INSERT,CHARCOAL
- 14	2517915	(1)	• INSERT,WHITE
- 14A	32042	(8)	• SCREW,BIND HD 10-32 X 3/8 LG
- 15	32042	(2)	• SCREW,BIND HD 10-32 X 3/8 LG
- 16	45690	(2)	• WASHER,FLAT NO. 10 7/16 OD X 1/32 TH
- 17	2518166	(1)	• LATCH ASSEMBLY,RIGHT
- 18	2518446	(1)	• • SCREW,LATCH MOUNTING
- 19	1071723	(1)	• • SPRING WASHER,LATCH MOUNTING
- 20	2518477	(1)	• • LATCH
- 21	2517691	(1)	• • PLATE,LATCH
- 22	6364	(1)	• • LOCKWASHER,LATCH MOUNTING
- 23	257187	(1)	• • NUT,HEX 6-32
- 24	2517698	(1)	• COVER ASM,RIGHT SIDE-W/CABLE ENTRY
- 24	2517701	(1)	• COVER ASM,RIGHT SIDE-W/OUT CABLE ENTRY
- 24	2517699	(1)	• COVER ASM,LEFT SIDE-W/CABLE ENTRY
- 24	2517702	(1)	• COVER ASM,LEFT SIDE-W/OUT CABLE ENTRY
- 25	2517692	(1)	• • BRACKET,COVER MOUNTING
- 26	32042	(4)	• • SCREW,BIND HD 10-32 X 3/8 LG
- 27	2517693	(1)	• • BRACKET,COVER MOUNTING
- 28	32042	(4)	• • SCREW,BIND HD 10-32 X 3/8 LG
- 29	2517694	(1)	• • BRACKET,LOWER
- 30	32042	(4)	• • SCREW,BIND HD 10-32 X 3/8 LG
- 31	1773813	(NP)	• • COVER,RIGHT & LEFT SIDE W/OUT CABLE ENTRY
- 31	1773814	(NP)	• • COVER,LEFT SIDE W/CABLE ENTRY
- 31	1773815	(NP)	• • COVER,RIGHT SIDE W/CABLE ENTRY

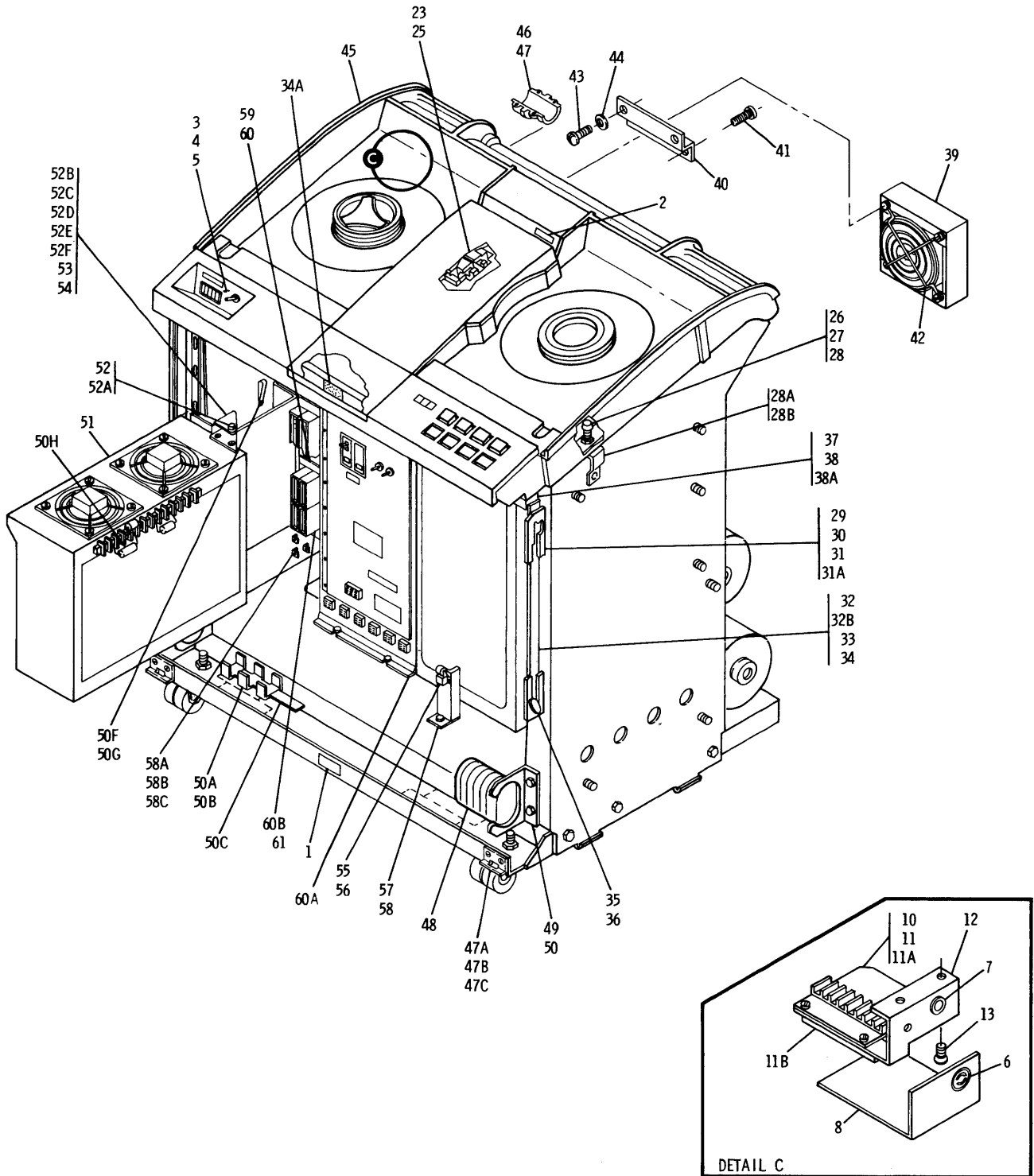


FIGURE 2. 3411 FINAL ASSEMBLY. SHEET 1 OF 3. INDEX NOS. 1-61. SEE LIST 2.

LIST AND INDEX	PART NUMBER	QTY.	DESCRIPTION
3411 FINAL ASSEMBLIES			
2	2518103	(NP)	FINAL ASSEMBLY, 3411 - MODEL 1 - 60HZ
-	2518107	(NP)	FINAL ASSEMBLY, 3411 - MODEL 2 - 60HZ
-	2518111	(NP)	FINAL ASSEMBLY, 3411 - MODEL 3 - 60HZ
-	2518104	(NP)	FINAL ASSEMBLY, 3411 - MODEL 1 - 50HZ
-	2518108	(NP)	FINAL ASSEMBLY, 3411 - MODEL 2 - 50HZ
-	2518112	(NP)	FINAL ASSEMBLY, 3411 - MODEL 3 - 50HZ
			FOR ILLUSTRATION SEE FIG. 2
- 1	2518337	(1)	• LABEL, CAUTION
- 2	2518067	(AR)	• LABEL, 9 TRACK USED WITH 9 TRACK DRIVE FEATURE
- 2	2518068	(AR)	• LABEL, 9 TRACK, DUAL DENSITY USED WITH 9 TRACK DUAL DENSITY
- 2	2518076	(AR)	• LABEL, 7 TRACK, DRIVE FEATURE
- 3	2518233	(REF)	• OPERATORS PANEL, ENGLISH/JAPANESE
- 3	2518408	(REF)	• OPERATORS PANEL, FRENCH
- 3	2518409	(REF)	• OPERATORS PANEL, GERMAN
- 3	2518410	(REF)	• OPERATORS PANEL, ITALIAN
- 3	2518411	(REF)	• OPERATORS PANEL, SPANISH
- 4	34512	(8)	• SCREW, MACH-BIND HD 8-32 X 3/8 LG
- 5	45690	(8)	• WASHER, FL - NO.10 X 7/16 OD X 1/32 THK
- 6	740489	(2)	• RETAINER, COVER
- 7	740491	(1)	• CLIP-TUBULAR, PERMANENT LOCK
- 8	2518235	(1)	• COVER, CARD ASM
- 9	5319854	(1)	• SCREW, SELF TAPPING, 8-32 X .375 LONG
- 10	372688	(1)	• CARD-TSTR, METER SEE INDIVIDUAL ALD PAGES FOR COMPONENT PARTS
- 11	740501	(2)	• SCREW, THD FORMING-BIND HD
- 11 A	740550	(2)	• JUMPER 2.50 IN.
- 11 B	303361	(1)	• SPACER
- 12	2518234	(1)	• BRACKET, METER CARD MTG
- 13	2181005	(2)	• SCREW, SELF TAPPING X .375 LG
- 23	2518011	(1)	• HEAD AND CARD USED WITH PHASE ENCODING, MODEL 1
- 23	2518012	(1)	• HEAD AND CARD USED WITH PHASE ENCODING, MODEL 2
- 23	2518013	(1)	• HEAD AND CARD USED WITH PHASE ENCODING, MODEL 3
- 23	2518014	(1)	• HEAD AND CARD USED WITH DUAL DENSITY, MODEL 1
- 23	2518015	(1)	• HEAD AND CARD USED WITH DUAL DENSITY, MODEL 2
- 23	2518016	(1)	• HEAD AND CARD USED WITH DUAL DENSITY, MODEL 3
- 23	2517797	(1)	• HEAD AND CARD USED WITH 7 TRACK MODEL 1
- 23	2517798	(1)	• HEAD AND CARD USED WITH 7 TRACK MODEL 2
- 23	2517799	(1)	• HEAD AND CARD USED WITH 7 TRACK MODEL 3
- 25	25627	(5)	• SCREW, MACH-BIND HD 8-32 X 1/2 LG
- 26	333064	(2)	• CAP-BOLT
- 27	36112	(2)	• SCREW, MACH-HEX HD 1/4-20 X 1-1/2 LG
- 28	3960	(2)	• NUT, PLAIN, HEX- 1/4-20 X 7/16 FL W
- 28 A	2518324	(2)	• BRACKET
- 28 B	2181004	(4)	• SCREW, THREAD FORMING-HEX WASHER HD
- 29	2518498	(2)	• FOLLOWER
- 30	3960	(2)	• NUT, PLAIN, HEX 1/4-20X7/16 FL W
- 31	2518449	(2)	• SCREW, SHOULDER 1/4-20 X 3/4 LG
- 31 A	847952	(2)	• WASHER
- 32	2518501	(2)	• SUPPORT
- 32 B	2518502	(2)	• SPRING
- 33	55726	(2)	• SCREW
- 34	2518490	(2)	• SCREW, MACH-FIL H 1/4-20 X 1/2 LG
- 34 A	8112725	(AR)	• LABEL, WTC

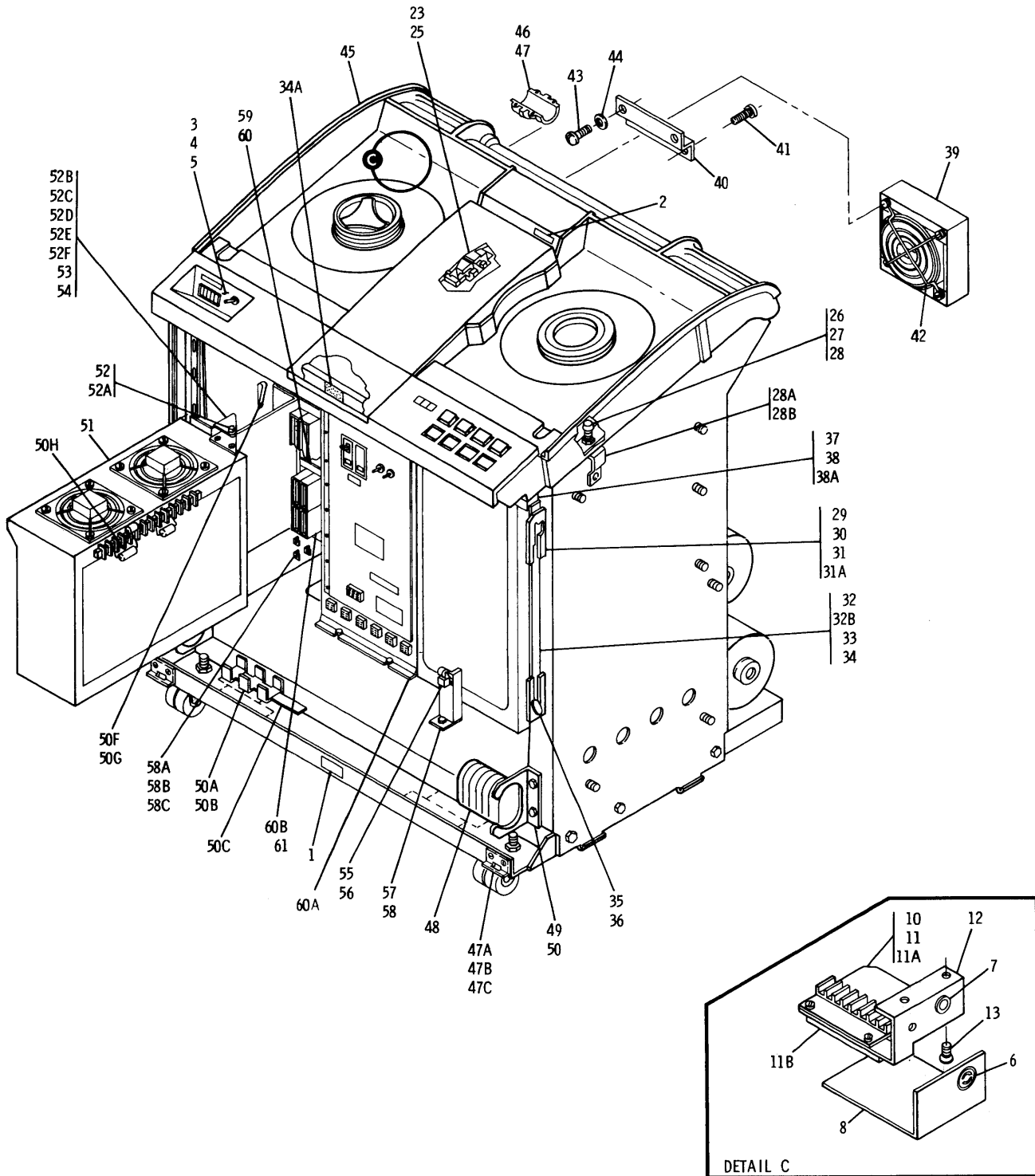


FIGURE 2. 3411 FINAL ASSEMBLY. SHEET 1 OF 3. INDEX NOS. 1-61. SEE LIST 2.

LIST AND INDEX	PART NUMBER	QTY.	DESCRIPTION
- 35	2518499	(1)	• GUIDE, RIGHT
- 35	2518500	(1)	• GUIDE, LEFT
- 36	2181004	(6)	• SCREW,THREAD FORMING-HEX WASHER HD
- 37	2518329	(1)	• BAR-ANGLE
- 38	5353301	(2)	• SCREW-THREAD FORMING, HEX. WASHER HEAD
- 38A	3550	(4)	• WASHER,FL- 1/4 X 9/16 OD X 0.050 THK
- 39	8036618	(REF)	• FAN, 50 HZ USED ON 50HZ MODELS ONLY SEE LIST 5 INDEX 1 FOR BREAKDOWN
- 39	2503537	(1)	• FAN, 60 HZ USED ON 60HZ MODELS ONLY SEE LIST 5, INDEX 1 FOR BREAKDOWN
- 40	2518448	(1)	• BRACKET, FAN MTG USED ON ALL MODELS
- 41	2181004	(2)	• SCREW, THD FORMING HEX WASHER HD
- 42	4103890	(2)	• GUARD USED ON 50HZ MODELS ONLY
- 42	2172166	(2)	• GUARD USED ON 60HZ MODELS ONLY
- 43	81693	(2)	• SCREW, MACH BIND HD 6-32 X 3/8 LG USED ON 50HZ MODELS ONLY
- 43	170228	(4)	• SCREW,ASMD WASHER- 6-32 X 5/8 LG USED ON 60HZ MODELS ONLY
- 44	257986	(4)	• WASHER,FLAT NO. 6 USED ON 60HZ MODELS ONLY
- 45	2518468	(NP)	• TRANSPORT ASSEMBLY USED ON MODEL 1
- 45	2518168	(NP)	• TRANSPORT ASSEMBLY USED ON MODEL 2
- 45	2518169	(NP)	• TRANSPORT ASSEMBLY USE ON MODEL 3 FOR DETAIL BREAKDOWN SEE LIST 4
- 46	2517755	(2)	• PIVOT HINGE
- 47	2181001	(8)	• SCREW, THD FORMING, HEX WASHER HD 10-32
- 47A	2518033	(AR)	• PLATE, DROP IN TYPE COVER
- 47B	2181004	(8)	• SCREW,THREAD FORMING-HEX WASHER HEAD
- 47C	45690	(8)	• WASHER, FL NO. 10 X 7/16 OD X 1/32 THK
- 48	2517711	(REF)	• HOSE, CABLE RACEWAY
- 49	2517658	(2)	• HOSE SUPPORT
- 50	2181004	(4)	• SCREW,THREAD FORMING-HEX WASHER HD
- 50A	2242323	(5)	• CLAMP
- 50B	811427	(15)	• STRAP
- 50C	2518442	(AR)	• FOAM STRIP
- 50F	532393	(AR)	• CLAMP, ADJUSTABLE CABLE
- 50G	2181004	(AR)	• SCREW, THREAD FORMING HEX WASHER HD
- 50H	2517839	(3)	• CAPACITOR, 1000UF-8VDC
- 51	NO NO.	(NP)	• GATE ASSEMBLY FOR DETAIL BREAKDOWN SEE LIST 5
- 52	36844	(2)	• SCREW
- 52A	117281	(2)	• NUT, STOP 1/4-20
- 52B	2518492	(1)	• BRACKET, BUMPER
- 52C	36844	(2)	• SCREW
- 52D	333064	(1)	• CAP-BOLT
- 52E	38688	(1)	• SCREW, HEX HD, .250-20 X .750 LG
- 52F	3960	(1)	• NUT, PLAIN, HEX 1/4-20X7/16 FL W
- 53	2517685	(NP)	• TCU GATE SUPPORT
- 54	2181004	(6)	• SCREW,THREAD FORMING-HEX WASHER HD
- 55	513668	(1)	• CATCH, FRICTION LATCH
- 56	10170	(2)	• SCREW-MACH,BIND HD NO. 6-32 X .250 LG
- 57	2517687	(1)	• LATCH SUPPORT, GATE
- 58	2181004	(2)	• SCREW,THREAD FORMING-HEX WASHER HD
- 58A	5214679	(4)	• TERMINAL
- 58B	10170	(4)	• SCREW, MACH-BIND HD NO. 6-32 X .250 LG
- 58C	56722	(4)	• WASHER, LOCK EXT T, .150 ID
- 59	2517686	(1)	• I/O PLUG SUPPORT BRACKET
- 60	2181004	(3)	• SCREW,THREAD FORMING-HEX WASHER HD
- 60A	2524755	(NR)	• POWER SUPPLY FINAL ASSEMBLY, 60HZ

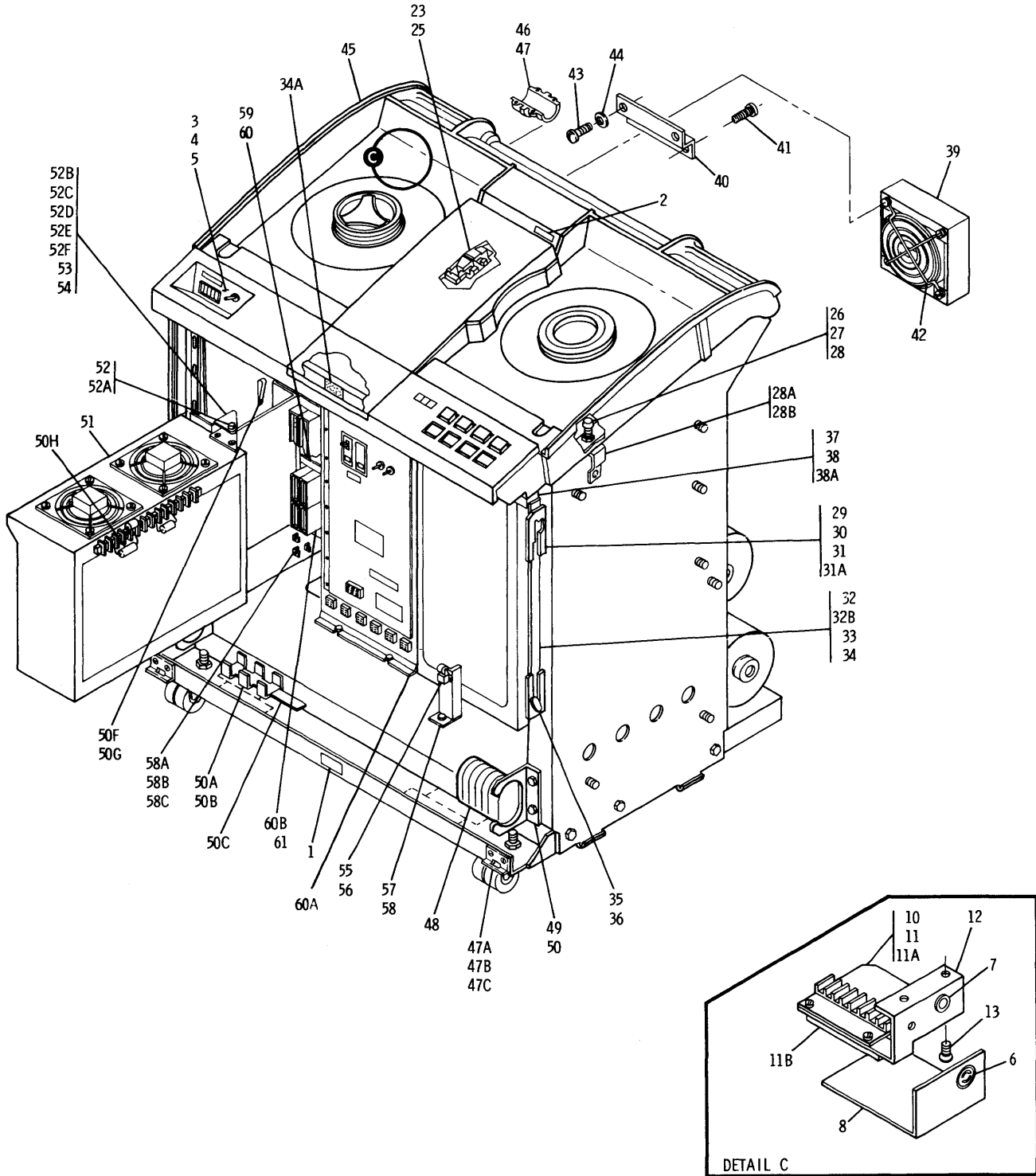


FIGURE 2. 3411 FINAL ASSEMBLY. SHEET 1 OF 3. INDEX NOS. 1-61. SEE LIST 2.

LIST AND INDEX	PART NUMBER	QTY.	DESCRIPTION
- 60A	2524775	(NR)	USED ON 3411, MOD 1, SYS 3,3790 • POWER SUPPLY FINAL ASSEMBLY, 60HZ USED ON 3411, MOD 2, SYS 3
- 60A	2524795	(NR)	• POWER SUPPLY FINAL ASSEMBLY, 60HZ USED ON 3411, MOD 3, SYS 3
- 60A	2524765	(NR)	• POWER SUPPLY FINAL ASSEMBLY, 60HZ USED ON 3411, MOD 1, SYS 360/370
- 60A	2524785	(NR)	• POWER SUPPLY FINAL ASSEMBLY, 60HZ USED ON 3411, MOD 2, SYS 360/370
- 60A	2524796	(NR)	• POWER SUPPLY FINAL ASSEMBLY, 60HZ USED ON 3411, MOD 3, SYS 360/370
- 60A	2524872	(NR)	• POWER SUPPLY FINAL ASSEMBLY, 60HZ USED ON 3411, MOD 1, SYSTEM 125
- 60A	2524873	(NR)	• POWER SUPPLY FINAL ASSEMBLY, 60HZ USED ON 3411, MOD 2, SYSTEM 125
- 60A	2524874	(NR)	• POWER SUPPLY FINAL ASSEMBLY, 60HZ USED ON 3411, MOD 3, SYSTEM 125
- 60A	2524855	(NR)	• POWER SUPPLY FINAL ASSEMBLY, 50HZ USED ON 3411, MOD 1, SYS 3,3790
- 60A	2524875	(NR)	• POWER SUPPLY FINAL ASSEMBLY, 50HZ USED ON 3411, MOD 2, SYS 3
- 60A	2524895	(NR)	• POWER SUPPLY FINAL ASSEMBLY, 50HZ USED ON 3411, MOD 3, SYS 3
- 60A	2524865	(NR)	• POWER SUPPLY FINAL ASSEMBLY, 50HZ USED ON 3411, MOD 1, SYS 360/370
- 60A	2524885	(NR)	• POWER SUPPLY FINAL ASSEMBLY, 50HZ USED ON 3411, MOD 2, SYS 360/370
- 60A	2524896	(NR)	• POWER SUPPLY FINAL ASSEMBLY, 50HZ USED ON 3411, MOD 3, SYS 360/370
- 60A	2524876	(NR)	• POWER SUPPLY FINAL ASSEMBLY, 50HZ USED ON 3411, MOD 1, SYSTEM 125
- 60A	2524877	(NR)	• POWER SUPPLY FINAL ASSEMBLY, 50HZ USED ON 3411, MOD 2, SYSTEM 125
- 60A	2524878	(NR)	• POWER SUPPLY ASSEMBLY, 50HZ USED ON 3411, MOD 3, SYSTEM 125 FOR DETAIL BREAKDOWN SEE LIST 7
- 60B	819410	(1)	• EXTENDER, CABLE
- 61	5362304	(2)	• CONNECTOR, MACHINE HALF STYLE A USED ON SYS 360/370, ALL MODELS
- 61	5362305	(2)	• CONNECTOR, MACHINE HALF STYLE B USED ON SYS 360/370/3, ALL MODELS

(CONTINUED)

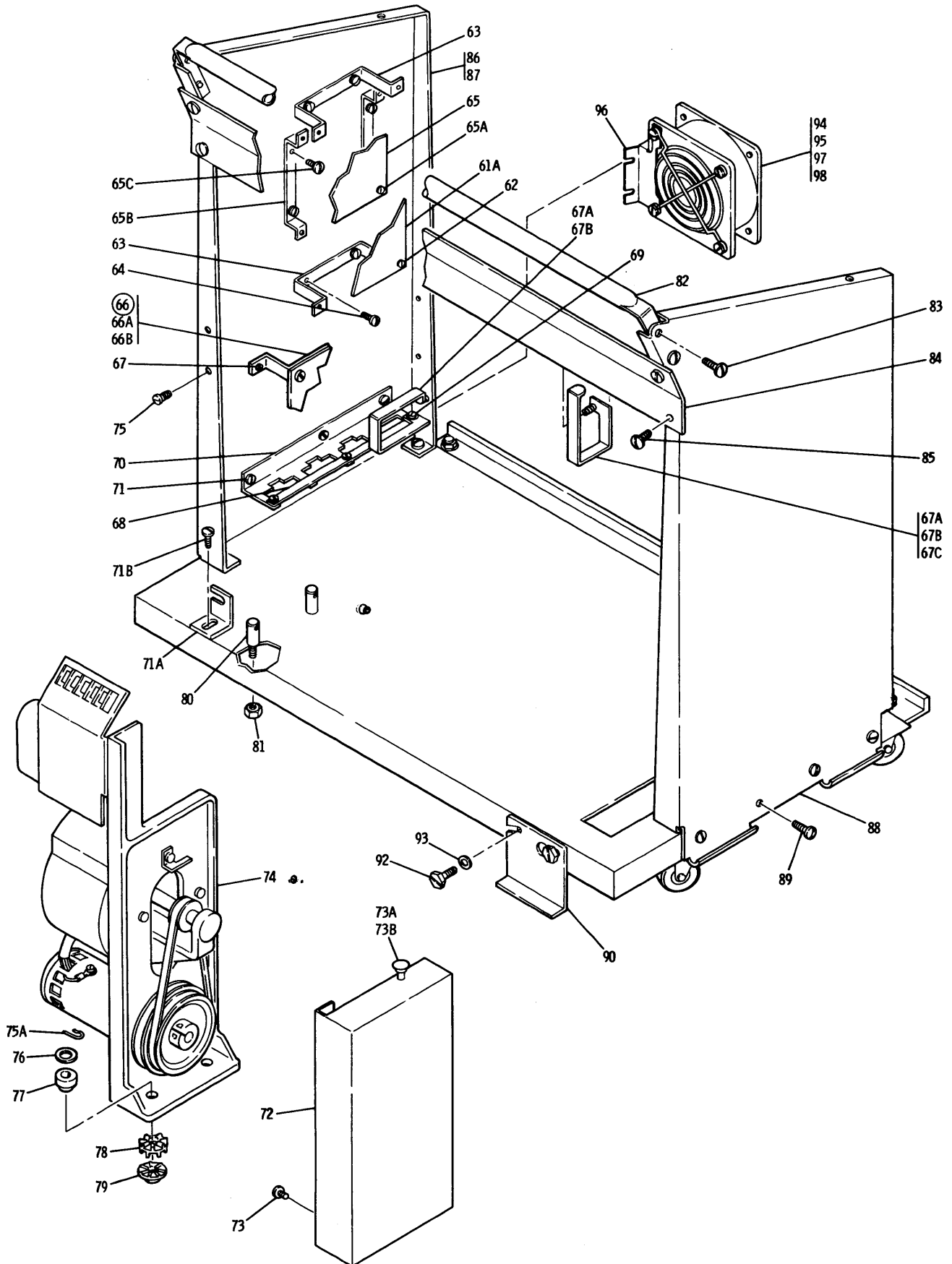


FIGURE 2. 3411 FINAL ASSEMBLY. SHEET 2 OF 3. INDEX NOS. 61A-98. SEE LIST 2.



LIST AND INDEX	PART NUMBER	QTY.	DESCRIPTION
3411 FINAL ASSEMBLY (CONTINUED)			
- 61 A	8529080	(AR)	• PLANAR, 3411 MODELS 1 AND 2
- 61 A	8529081	(AR)	• PLANAR, 3411 MODEL 3
- 62	32042	(4)	• SCREW, MACH BIND HD 10-32X3/8 LG
- 63	2517689	(2)	• SUPPORT BRACKET, PLANAR
- 64	2181004	(4)	• SCREW,THREAD FORMING-HEX WASHER HD
- 65	8529032	(AR)	• PLANAR, 3411 MODEL 1
- 65	8529033	(AR)	• PLANAR, 3411 MODEL 2
- 65	8529034	(AR)	• PLANAR, 3411 MODEL 3
- 65 A	32042	(4)	• SCREW, MACH BIND HD 10-32X3/8 LG
- 65 B	2517688	(2)	• SUPPORT BRACKET, PLANAR
- 65 C	2181004	(4)	• SCREW,THREAD FORMING-HEX WASHER HD
- 66	373581	(AR)	• MOTION CONTROL BOARD, 3411 MODEL 1 & 2
- 66	373582	(AR)	• MOTION CONTROL BOARD, 3411 MODEL 3
- 66 A	2517831	(AR)	• • RELAY
- 66 B	123786	(AR)	• • FUSE, MODEL 1 AND 2
- 66 B	511063	(AR)	• • FUSE, MODEL 3
- 67	2181004	(2)	• SCREW,THREAD FORMING-HEX WASHER HD
- 67 A	2503586	(1)	• CLAMP, CABLE
- 67 A	1773333	(1)	• CLAMP, WTC SUBSTITUTE PART
- 67 B	811427	(1)	• STRAP
- 67 C	5319854	(1)	• SCREW, SELF TAPPING, 8-32 X .375 LONG
- 68	2517674	(1)	• BAR, PLUG SUPPORT
- 69	740501	(3)	• SCREW,MACH-HEX HD 6-32 X 1/4 LG
- 70	2517675	(1)	• BRACKET, BOARD MTG
- 71	2181004	(3)	• SCREW,THREAD FORMING-HEX WASHER HD
- 71 A	2518316	(1)	• BRACKET, PNEUMATIC STABLIZER
- 71 B	2181004	(1)	• SCREW, THREAD FORMING-HEX WASHER HD
- 72	2518272	(1)	• GUARD, PULLEY
- 73	25627	(1)	• SCREW,MACH-BIND HD 8-32 X 1/2 LG
- 73 A	853045	(1)	• GROMMET
- 73 B	853044	(1)	• PLUNGER
- 74	2517788	(1)	• SUPPLY ASSEMBLY, PNEUMATIC, 60HZ USED ON 60HZ MODELS ONLY
- 74	2517789	(1)	• SUPPLY ASSEMBLY, PNEUMATIC, 50HZ USED ON 50HZ MODELS ONLY FOR DETAIL BREAKDOWN SEE LIST 6
- 75	2181004	(2)	• SCREW,THREAD FORMING-HEX WASHER HD
- 75 A	2518366	(2)	• CLIP, MTG
- 76	2591446	(2)	• WASHER, LOCK
- 77	2515541	(2)	• BUSHING
- 78	2518303	(2)	• RING, SHOCKMOUNT
- 79	2518304	(2)	• BUSHING, SHOCKMOUNT
- 80	2578365	(2)	• PIN, PNEUMATIC SUPPLY MTG
- 81	125930	(2)	• NUT, HEX 10-32
- 82	2517672	(NR)	• BAR, FRAME SUPPORT
- 83	5353301	(4)	• SCREW-THREAD FORMING, HEX. WASHER HEAD
- 84	2517671	(1)	• ANGLE, FRAME CROSS SUPPORT
- 85	5351459	(4)	• SCREW,THD FORMING HEX- 10-32 X 0.38 LG
- 86	2517667	(NP)	• PLATE, RIGHT SIDE FRAME
- 87	5353301	(6)	• SCREW-THREAD FORMING, HEX. WASHER HEAD
- 88	2517668	(NP)	• PLATE, LEFT SIDE FRAME
- 89	5353301	(6)	• SCREW-THREAD FORMING, HEX. WASHER HEAD
- 90	2518315	(4)	• BRACKET, STABILIZING
- 92	38686	(8)	• SCREW, HEX HD 1/4-20 X 1/2 LG
- 93	3550	(8)	• WASHER, FLAT 1/4 ID X 9/16 OD X .50 TH
- 94	2503537	(1)	• FAN ASM, 60HZ MODEL 3 ONLY
- 94	4827369	(1)	• FAN ASM, 50HZ MODEL 3 ONLY SEE LIST 5, INDEX 1 FOR BREAKDOWN
- 95	2172166	(1)	• GUARD, 60HZ MODEL 3 ONLY
- 95	2417512	(2)	• GUARD, 50HZ MODEL 3 ONLY
- 96	1703129	(1)	• BRACKET, 60HZ MODEL 3 ONLY
- 96	4054012	(1)	• BRACKET, 50HZ MODEL 3 ONLY
- 97	322550	(4)	• SCREW, BIND HD 6-32 X 1/2 LG
- 98	2518266	(1)	• CLIP, 60HZ ONLY

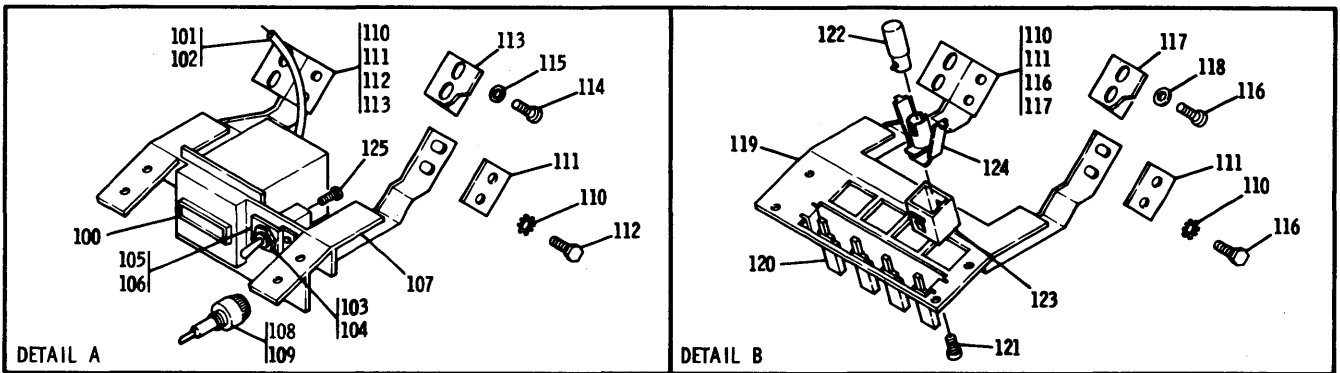
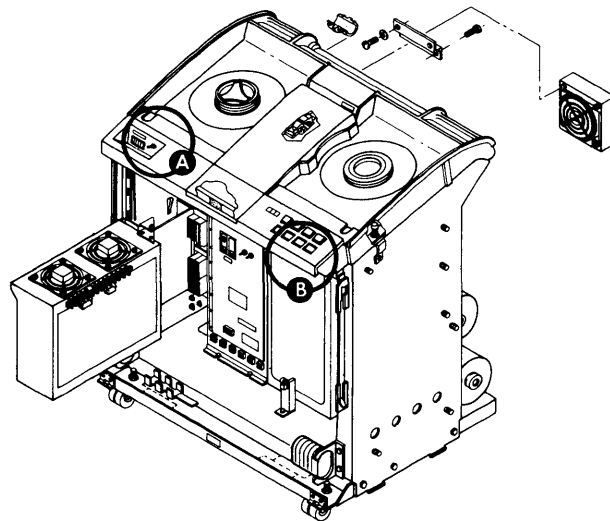
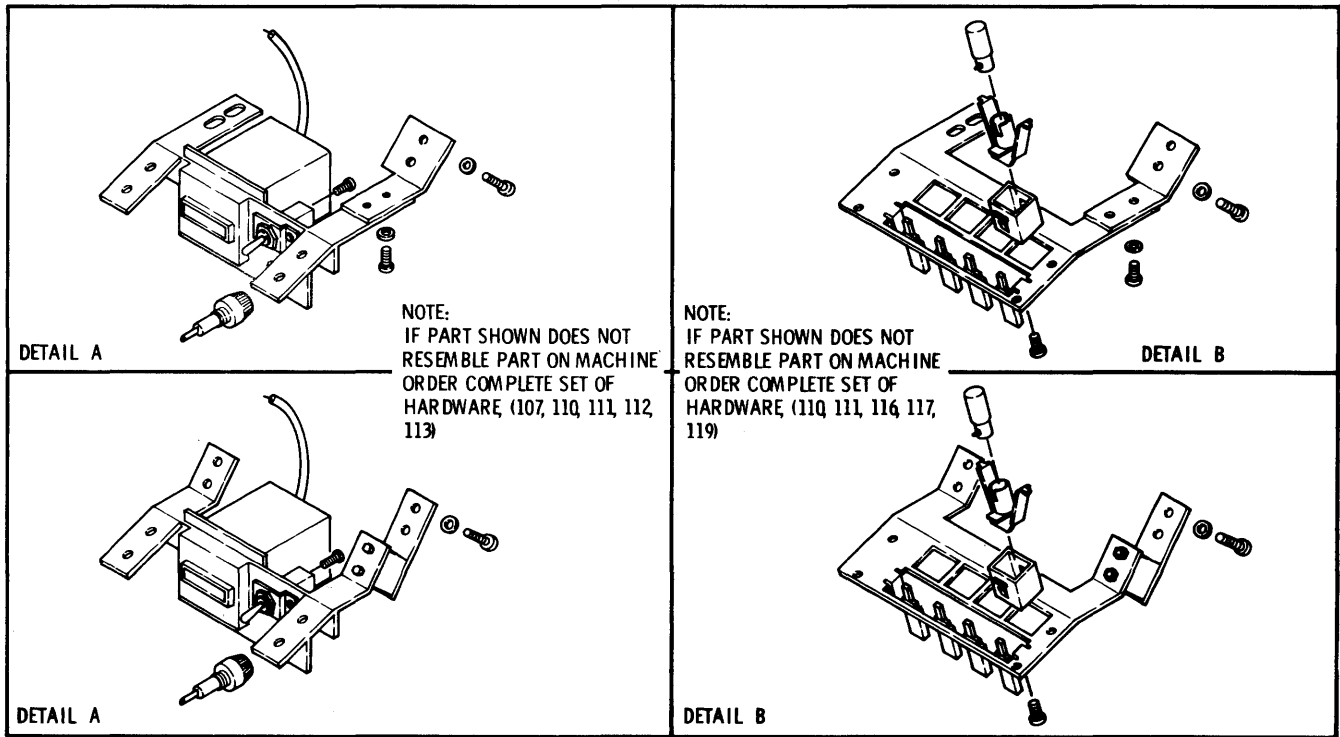


FIGURE 2. 3411 FINAL ASSEMBLY. SHEET 3 OF 3. INDEX NOS. 100-124. SEE LIST 2.

LIST AND INDEX	PART NUMBER	QTY.	DESCRIPTION
----------------	-------------	------	-------------

## 3411 FINAL ASSEMBLY (CONTINUED)

-100	740503	(1)	• CLOCK, 60HZ MODELS ONLY
-100	740608	(1)	• CLOCK, 50HZ MODELS ONLY
-101	5348367	(1)	• JUMPER, GROUND
-102	257187	(1)	• NUT, PLAIN HEX 8-32
-103	725347	(1)	• SWITCH, TOGGLE SPDT
-104	179743	(1)	• NUT, PLAIN HEX 15/32-32
-105	2518447	(1)	• BRACKET, SWITCH
-106	740501	(2)	• SCREW, BIND HD THD FORMING
-107	1703104	(1)	• BRACKET, METER MOUNTING SEE NOTE DETAIL A
-108	78998	(1)	• FUSE, CARTRIDGE .3 AMP 250V
-109	179946	(1)	• HOLDER, FUSE
-110	56079	(8)	• WASHER, LOCK EXT TOOTH .204ID X .490 OD
-111	1703102	(4)	• BRACKET, MOUNTING
-112	7327	(4)	• SCREW, HEX HD 10-32 X .437 LG
-113	1703101	(2)	• BRACKET, MOUNTING
-114	5353301	(4)	• SCREW, HEX WSR HD-THD FORMING
-115	3550	(4)	• WASHER, FLAT 1/4 ID X 9/16 OD X .050 TH
-116	5353301	(8)	• SCREW, HEX WSR HD-THD FORMING
-117	1703101	(2)	• BRACKET, MOUNTING
-118	3550	(4)	• WASHER, FLAT 1/4 ID X 9/16 OD X .050 TH
-119	1703103	(2)	• BRACKET, SWITCH MOUNTING SEE NOTE DETAIL B
-120	2517620	(1)	• SWITCH ASSEMBLY
-121	740501	(2)	• SCREW, BIND HD THD FORMING
-122	7025959	(4)	• LAMP
-123	827842	(4)	• HOUSING, LAMP
-124	5397638	(4)	• SOCKET, LAMP
-125	5319854	(2)	• SCREW, SELF TAPPING, 8-32 X .375 LONG

END OF LIST 2.

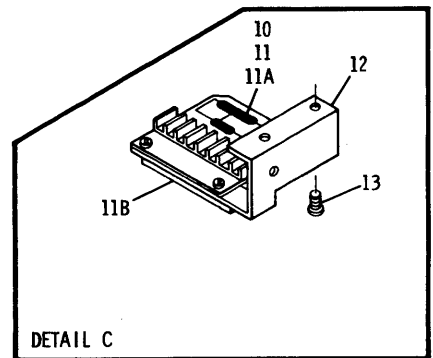
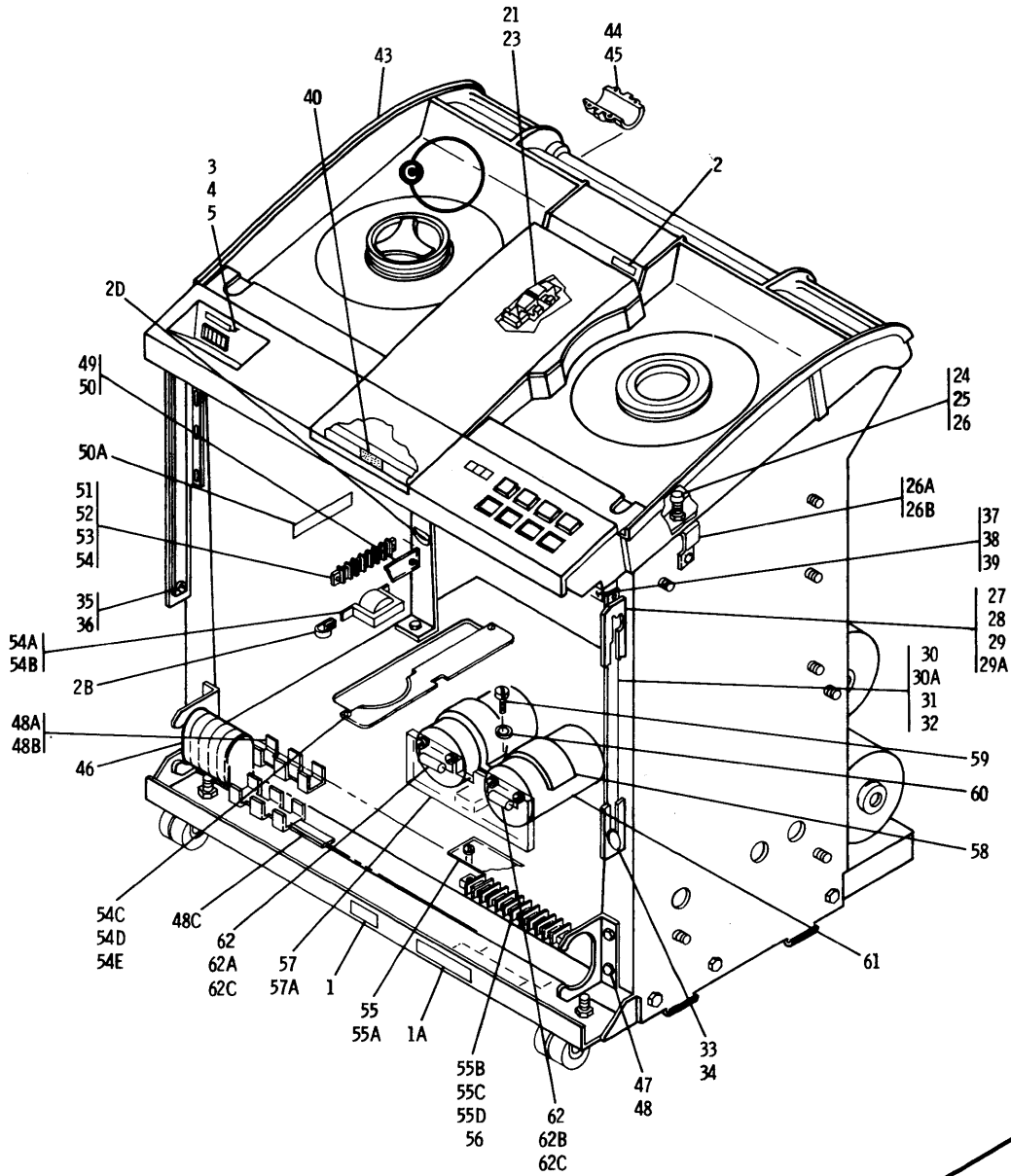


FIGURE 3. 3410 FINAL ASSEMBLY. SHEET 1 OF 3. INDEX NOS. 1-62C. SEE LIST 3.

LIST AND INDEX	PART NUMBER	QTY.	DESCRIPTION
<b>3410 FINAL ASSEMBLIES</b>			
3	-	2518101 (NP)	FINAL ASSEMBLY, 3410 MODEL 1, 60HZ
	-	2518105 (NP)	FINAL ASSEMBLY, 3410 MODEL 2, 60HZ
	-	2518109 (NP)	FINAL ASSEMBLY, 3410 MODEL 3, 60HZ
	-	2518102 (NP)	FINAL ASSEMBLY, 3410 MODEL 1, 50HZ
	-	2518106 (NP)	FINAL ASSEMBLY, 3410 MODEL 2, 50HZ
	-	2518110 (NP)	FINAL ASSEMBLY, 3410 MODEL 3, 50HZ
			FOR ILLUSTRATION SEE FIG. 3
	- 1	2518337 (1)	• LABEL, CAUTION
	- 1A	535632 (2)	• LABEL, HAZARDOUS AREA
	- 2	2518067 (AR)	• LABEL, 9 TRACK
			USED WITH PHASE ENCODING
	- 2	2518068 (AR)	• LABEL, 9 TRACK DUAL DENSITY
			USED WITH DUAL DENSITY
	- 2	2518076 (AR)	• LABEL, 7 TRACK DRIVE FEATURE
	- 2B	534768 (1)	• CLAMP, LOOP .250 ID .177 DIS MTG HOLE
	- 2D	1159519 (AR)	• STRAP, CABLE ADJUSTING
	- 3	2517763 (1)	• OPERATORS PANEL, 3410
	- 4	34512 (8)	• SCREW,MACH-BIND HD 8-32 X 3/8 LG
	- 5	45690 (8)	• WASHER, FL - NO.10 X 7/16 OD X 1/32 THK
	- 10	372688 (1)	• CARD-TSTR,METER
			SEE INDIVIDUAL ALD PAGES FOR COMPONENT PARTS
	- 11	740501 (2)	• SCREW,THD FORMING-BIND HD
	- 11A	740550 (2)	• JUMPER ASM 2.50 IN.
	- 11B	303361 (1)	• SPACER
	- 12	2518234 (1)	• BRACKET, METER CARD MTG
	- 13	2181005 (2)	• SCREW, SELF TAPPING X .375 LG
	- 21	2517797 (1)	• HEAD AND CARD, 7 TRACK MODEL 1
	- 21	2517798 (1)	• HEAD AND CARD, 7 TRACK MODEL 2
	- 21	2517799 (1)	• HEAD AND CARD, 7 TRACK MODEL 3
	- 21	2518011 (1)	• HEAD AND CARD
			USED ON P.E., MODEL 1
	- 21	2518012 (1)	• HEAD AND CARD
			USED ON P.E., MODEL 2
	- 21	2518013 (1)	• HEAD AND CARD
			USED ON P.E., MODEL 3
	- 21	2518014 (1)	• HEAD AND CARD
			USE ON DUAL DENSITY, MODEL 1
	- 21	2518015 (1)	• HEAD AND CARD
			USED ON DUAL DENSITY, MODEL 2
	- 21	2518016 (1)	• HEAD AND CARD
			USED ON DUAL DENSITY, MODEL 3
	- 23	25627 (5)	• SCREW,MACH-BIND HD 8-32 X 1/2 LG
	- 24	333064 (2)	• CAP-BOLT
	- 25	36112 (2)	• SCREW,MACH-HEX HD 1/4-20 X 1-1/2 LG
	- 26	3960 (2)	• NUT,PLAIN,HEX- 1/4-20 X 7/16 FL W
	- 26A	2518324 (2)	• BRACKET
	- 26B	2181004 (4)	• SCREW,THREAD FORMING-HEX WASHER HD
	- 27	2518498 (2)	• FOLLOWER
	- 28	3960 (2)	• NUT, PLAIN, HEX 1/4-20X7/16 FL W
	- 29	2518449 (2)	• SCREW, SHOULDER 1/4-20 X 3/4 LG
	- 29A	847952 (2)	• WASHER
	- 30	2518501 (2)	• SUPPORT
	- 30A	2518502 (2)	• SPRING
	- 31	55726 (2)	• SCREW
	- 32	2518490 (2)	• SCREW,MACH-FIL H 1/4-20 X 1/2 LG
	- 33	2518499 (1)	• GUIDE, RIGHT
	- 34	2181004 (3)	• SCREW,THREAD FORMING-HEX WASHER HD
	- 35	2518500 (1)	• GUIDE, LEFT
	- 36	2181004 (3)	• SCREW,THREAD FORMING-HEX WASHER HD
	- 37	2518329 (1)	• BAR-ANGLE
	- 38	5353301 (2)	• SCREW-THREAD FORMING, HEX. WASHER HEAD
	- 39	126520 (4)	• WASHER,FLAT
	- 40	8112725 (AR)	• LABEL, WTC
	- 43	2518468 (NP)	• TRANSPORT ASSEMBLY

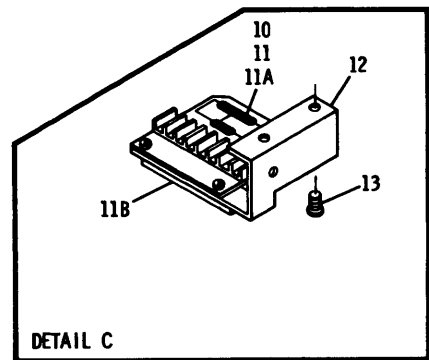
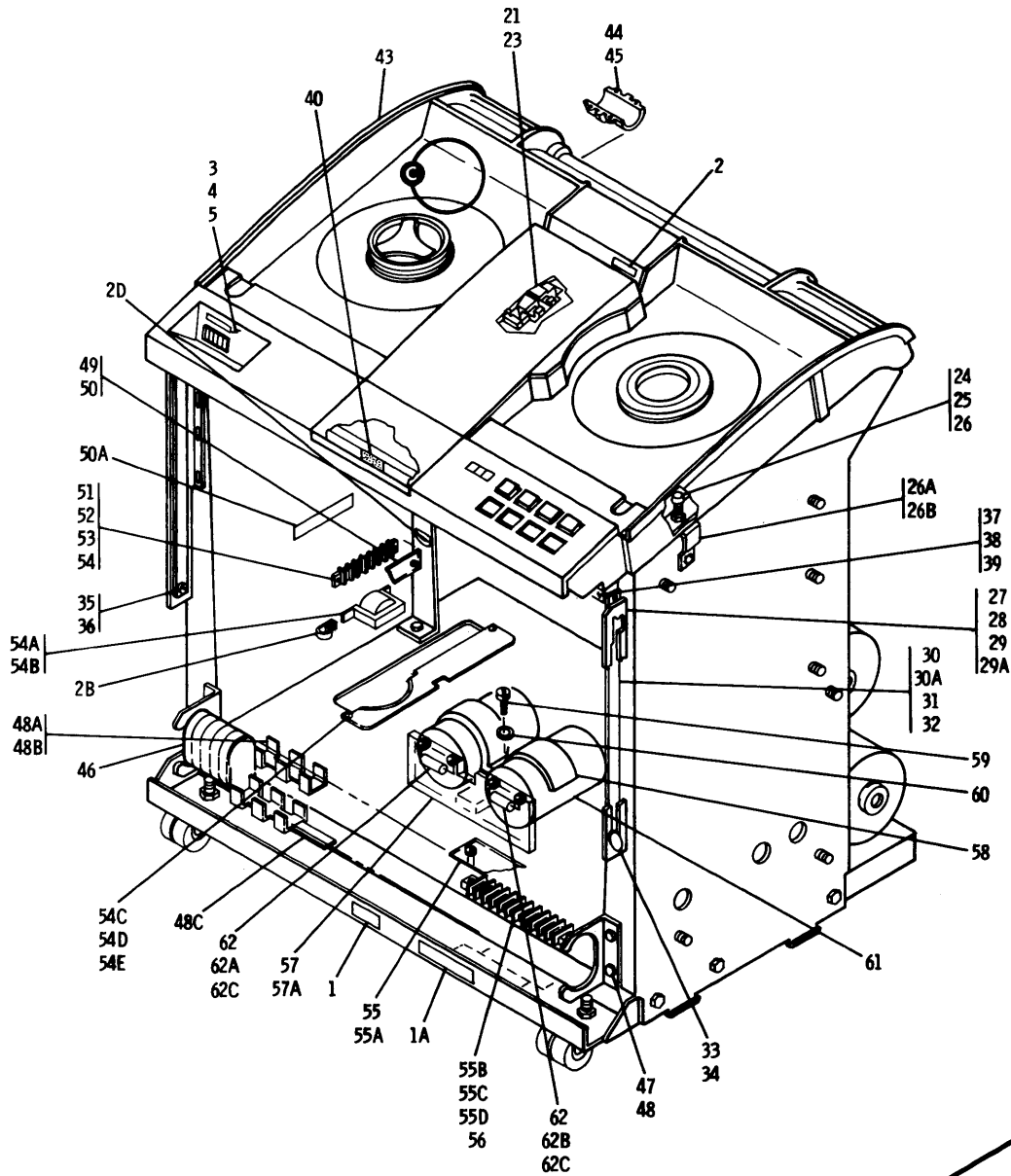


FIGURE 3. 3410 FINAL ASSEMBLY. SHEET 1 OF 3. INDEX NOS. 1-62C. SEE LIST 3.

LIST AND INDEX	PART NUMBER	QTY.	DESCRIPTION
- 43	2518168	(NP)	USED ON MODEL 1 ONLY • TRANSPORT ASSEMBLY
- 43	2518169	(NP)	USED ON MODEL 2 ONLY • TRANSPORT ASSEMBLY USED ON MODEL 3 ONLY FOR DETAIL BREAKDOWN SEE LIST 4
- 44	2517755	(2)	• PIVOT HINGE
- 45	2181001	(8)	• SCREW, THD FORMING, HEX WASHER HD 10-32
- 46	2517711	(REF)	• HOSE, CABLE RACEWAY
- 47	2517658	(2)	• HOSE SUPPORT
- 48	2181004	(4)	• SCREW, THREAD FORMING-HEX WASHER HD
- 48 A	2242323	(5)	• CLAMP
- 48 B	811427	(15)	• STRAP
- 48 C	2518442	(AR)	• FOAM STRIP
- 49	350977	(1)	• SHIELD, TERMINAL BOARD 8 POS USED ON DOMESTIC MACHINES ONLY
- 49	8112646	(1)	• SHIELD, TERMINAL BOARD USED ON WTC MACHINES ONLY
- 50	10170	(2)	• SCREW, MACH-BIND HD 6-32 X 1/4 LG
- 50 A	2518506	(1)	• LABEL
- 51	317145	(1)	• TERMINAL BOARD- 8 DBL SCREW TERMINALS
- 52	210883	(2)	• STUD, BLOCK MTG, TAPPED, NO. 6-32
- 53	322550	(2)	• SCREW, MACH-BIND HD 6-32 X 1/2 LG
- 54	360339	(1)	• STRIP, INSULATOR MARKER
- 54 A	740560	(1)	• TRANSFORMER-POWER PAC-60 CY USED ON 60HZ MODELS ONLY
- 54 A	740562	(1)	• TRANSFORMER-POWER PAC-50 CY USED ON 50HZ MODELS ONLY
- 54 B	5319854	(2)	• SCREW, SELF TAPPING, 8-32 X .375 LONG
- 54 C	2516579	(1)	• COVER, CABLE OPENING USED ON 3410 MODEL 1 ONLY WITH 870080 RPQ FEATURE
- 54 D	2181004	(2)	• SCREW
- 54 E	237455	(AR)	• CHANNEL, RUBBER
- 55	5824095	(1)	• SHIELD, TERMINAL BLOCK
- 55 A	10170	(2)	• SCREW, BIND HD 6-32 X 1/4 LG
- 55 B	253220	(1)	• TERMINAL BOARD, 20DBL SCREW TERMINALS
- 55 C	365323	(1)	• STRIP, MARKER
- 55 D	210883	(2)	• STUD, BLOCK MTG 6-32
- 56	38354	(2)	• SCREW, FIL HD 6-32 X 1/2 LG
- 57	2524835	(1)	• SHIELD, CAPACITOR USED ON MODEL 2 ONLY AND MODEL 1 WITHOUT 870080 RPQ FEATURE
- 57	1766216	(1)	• SHIELD, CAPACITOR USED ON MODEL 3 AND MODEL 1 60HZ WITH 870080 RPQ FEATURE
- 57 A	1141554	(1)	• LABEL
- 58	2524746	(1)	• CLAMP, CAPACITOR MTG
- 59	438604	(1)	• SCREW, MACH-BIND HD 10-32 X 2-1/2 LG
- 60	56079	(1)	• WASHER-LOCK, EXT T .204 ID .410 OD
- 61	2524764	(2)	• CAPACITOR, 71KMFD, 25VDC, 7.5%, -10% USED ON 50/60HZ, MODEL 1 WITHOUT 870080 RPQ FEATURE
- 61	2524792	(2)	• CAPACITOR, 100KMFD, 25VDC, 7.5%, -10% USED ON 50/60HZ, MODEL 2
- 61	2524760	(2)	• CAPACITOR, 180KMFD, 20VDC, 7.5%, -10% USED ON 50/60HZ, MODEL 3 AND MODEL 1 60HZ WITH 870080 RPQ FEATURE
- 62	501566	(2)	• RESISTOR, 200 OHMS 2W USED ON 50/60HZ, MODEL 1 WITHOUT 870080 RPQ FEATURE
- 62	5261899	(2)	• RESISTOR, 100 OHMS 5W USED ON 50/60HZ, MODEL 2
- 62	2524893	(2)	• RESISTOR, 40 OHMS 25W USED ON 50/60 HZ MODEL 3
- 62 A	1766338	(1)	• RESISTOR, 30 OHM 25W USED ON MODEL 1 WITH

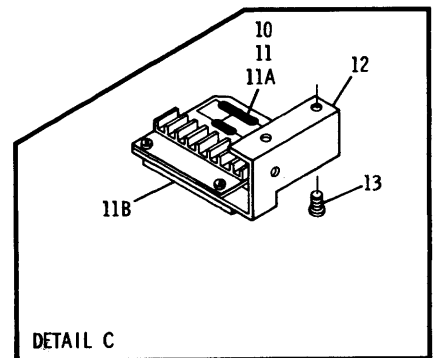
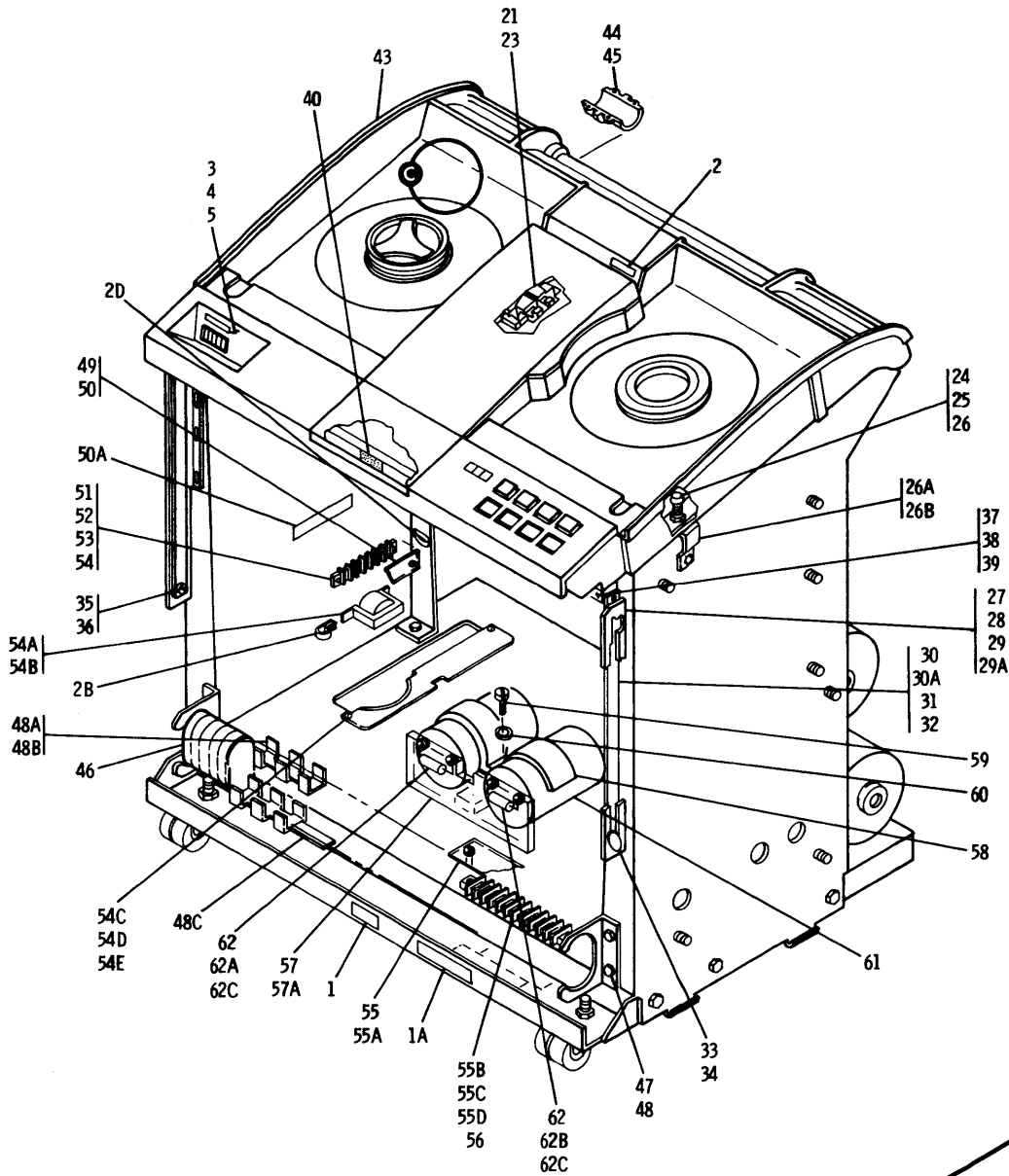


FIGURE 3. 3410 FINAL ASSEMBLY. SHEET 1 OF 3. INDEX NOS. 1-62C. SEE LIST 3.



LIST AND INDEX	PART NUMBER	QTY.	DESCRIPTION
- 62 B	5261899	(1)	RPO 870080 FEATURE • RESISTOR, 100 OHM 5W USED ON MODEL 1 WITH RPO 870080 FEATURE
- 62 C	32042	(AR)	• SCREW, RESISTOR MTG

(CONTINUED)

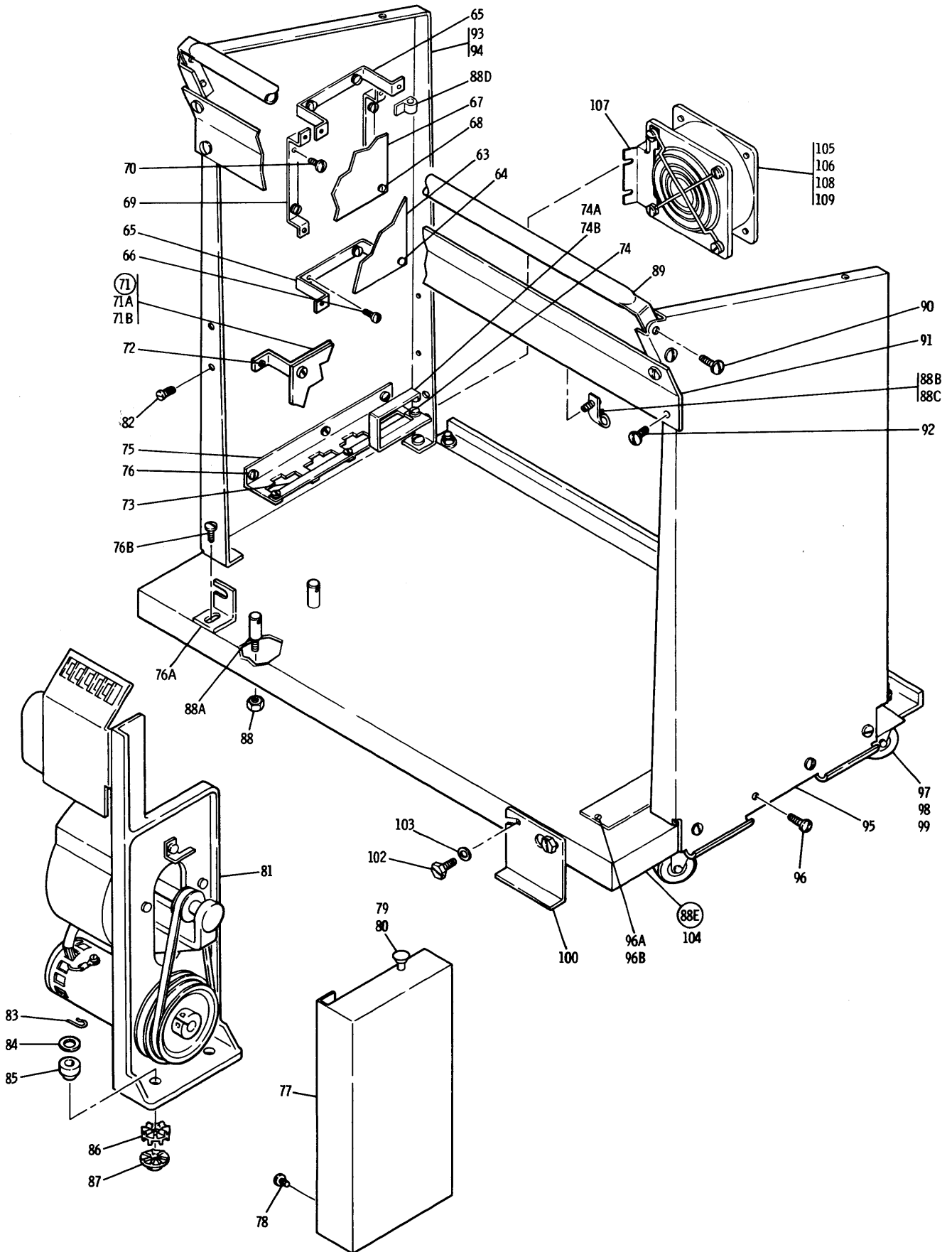


FIGURE 3. 3410 FINAL ASSEMBLY. SHEET 2 OF 3. INDEX NOS. 63-109. SEE LIST 3.

LIST AND INDEX	PART NUMBER	QTY.	DESCRIPTION
3410 FINAL ASSEMBLY (CONTINUED)			
- 63	8529080	(AR)	• PLANAR, STANDARD-MODELS 1, 2
- 63	8529081	(AR)	• PLANAR, STANDARD-MODEL 3
- 64	32042	(4)	• SCREW, MACH BIND HD 10-32X3/8 LG
- 65	2517689	(2)	• SUPPORT BRACKET, PLANAR
- 66	2181004	(4)	• SCREW,THREAD FORMING-HEX WASHER HD
- 67	8529032	(AR)	• PLANAR, FEATURE-MODEL 1 DUAL DENS
- 67	8539033	(AR)	• PLANAR, FEATURE-MODEL 2 DUAL DENS
- 67	8529034	(AR)	• PLANAR, FEATURE-MODEL 3 DUAL DENS
- 68	32042	(4)	• SCREW, MACH BIND HD 10-32X3/8 LG
- 69	2517688	(2)	• SUPPORT BRACKET, PLANAR
- 70	2181004	(4)	• SCREW,THREAD FORMING-HEX WASHER HD
- 71	373581	(AR)	• MOTION CONTROL BOARD, MODEL 1 & 2
- 71	373582	(AR)	• MOTION CONTROL BOARD, MODEL 3
- 71 A	123786	(2)	• • FUSE, MODEL 1 & 2
- 71 A	511063	(2)	• • FUSE, MODEL 3
- 71 B	2517831	(2)	• • RELAY
- 72	2181004	(2)	• SCREW,THREAD FORMING-HEX WASHER HD
- 73	2517674	(1)	• BAR, PLUG SUPPORT
- 74	740501	(3)	• SCREW,MACH-HEX HD 6-32 X 1/4 LG
- 74 A	2503586	(1)	• CLAMP
- 74 A	1773333	(1)	• CLAMP, WTC SUBSTITUTE
- 74 B	811427	(1)	• STRAP
- 75	2517675	(1)	• BRACKET, MOTION CONTROL BD MTG
- 76	2181004	(3)	• SCREW,THREAD FORMING-HEX WASHER HD
- 76 A	2518316	(1)	• BRACKET, SHIPPING AND LEVELING
- 76 B	2181004	(1)	• SCREW, THREAD FORMING HEX WASHER HD
- 77	2518272	(1)	• GUARD, PNEUMATIC PULLEY
- 78	25627	(1)	• SCREW,MACH-BIND HD 8-32 X 1/2 LG
- 79	853045	(1)	• GROMMET
- 80	853044	(1)	• PLUNGER
- 81	2517788	(1)	• SUPPLY ASSEMBLY, PNEUMATIC, 60HZ USED ON 60HZ MODELS ONLY
- 81	2517789	(1)	• SUPPLY ASSEMBLY, PNEUMATIC, 50HZ USED ON 50HZ MODELS ONLY FOR DETAIL BREAKDOWN SEE LIST 6
- 82	2181004	(2)	• SCREW,THREAD FORMING-HEX WASHER HD
- 83	2518366	(2)	• CLIP
- 84	2591446	(2)	• WASHER
- 85	2515541	(2)	• BUSHING
- 86	2518303	(2)	• RING, SHOCKMOUNT
- 87	2518304	(2)	• BUSHING, SHOCKMOUNT
- 88	125930	(2)	• NUT, PLAIN HEX 10-32
- 88 A	2518365	(2)	• PIN
- 88 B	532393	(AR)	• CLAMP, CABLE
- 88 C	2180004	(AR)	• SCREW, THD FORMING HEX HD
- 88 D	2513268	(1)	• CLAMP, CABLE
- 88 E	2517670	(NP)	• FRAME ASSEMBLY
- 89	2517672	(NP)	• • BAR, FRAME SUPPORT
- 90	5353301	(4)	• • SCREW, THREAD FORMING, HEX WASHER HD
- 91	2517671	(1)	• • ANGLE, FRAME CROSS SUPPORT
- 92	2181004	(4)	• • SCREW, THD FORMING HEX WASHER HD
- 93	2517667	(1)	• • PLATE, RIGHT SIDE FRAME
- 94	5353301	(6)	• • SCREW,THREAD FORMING, HEX WASHER HD
- 95	2517668	(1)	• • PLATE, LEFT SIDE FRAME
- 96	5353301	(6)	• • SCREW, THREAD FORMING, HEX WASHER HD
- 96 A	2518488	(1)	• • COVER
- 96 B	2181004	(2)	• • SCREW, THREAD FORMING-HEX WASHER HD
- 97	179623	(4)	• • CASTER, SWIVEL-2 IN. DBL WHL 3/8-16 STUD
- 98	24107	(4)	• • NUT, PLAIN HEX- 3/8 X 9/16 FL W
- 99	10309	(4)	• • LCK WASHER .382 ID X .688 OD X .094 THK
-100	2518315	(4)	• BRACKET, STABILIZING
-102	38686	(8)	• SCREW, HEX HD 1/4-20 X 1/2 LG
-103	3550	(8)	• WASHER, FLAT 1/4 ID X 9/16 OD X .50TH
-104	2517669	(NP)	• BASE, FRAME
-105	2053537	(1)	• FAN ASM, 60HZ MODEL 3 ONLY

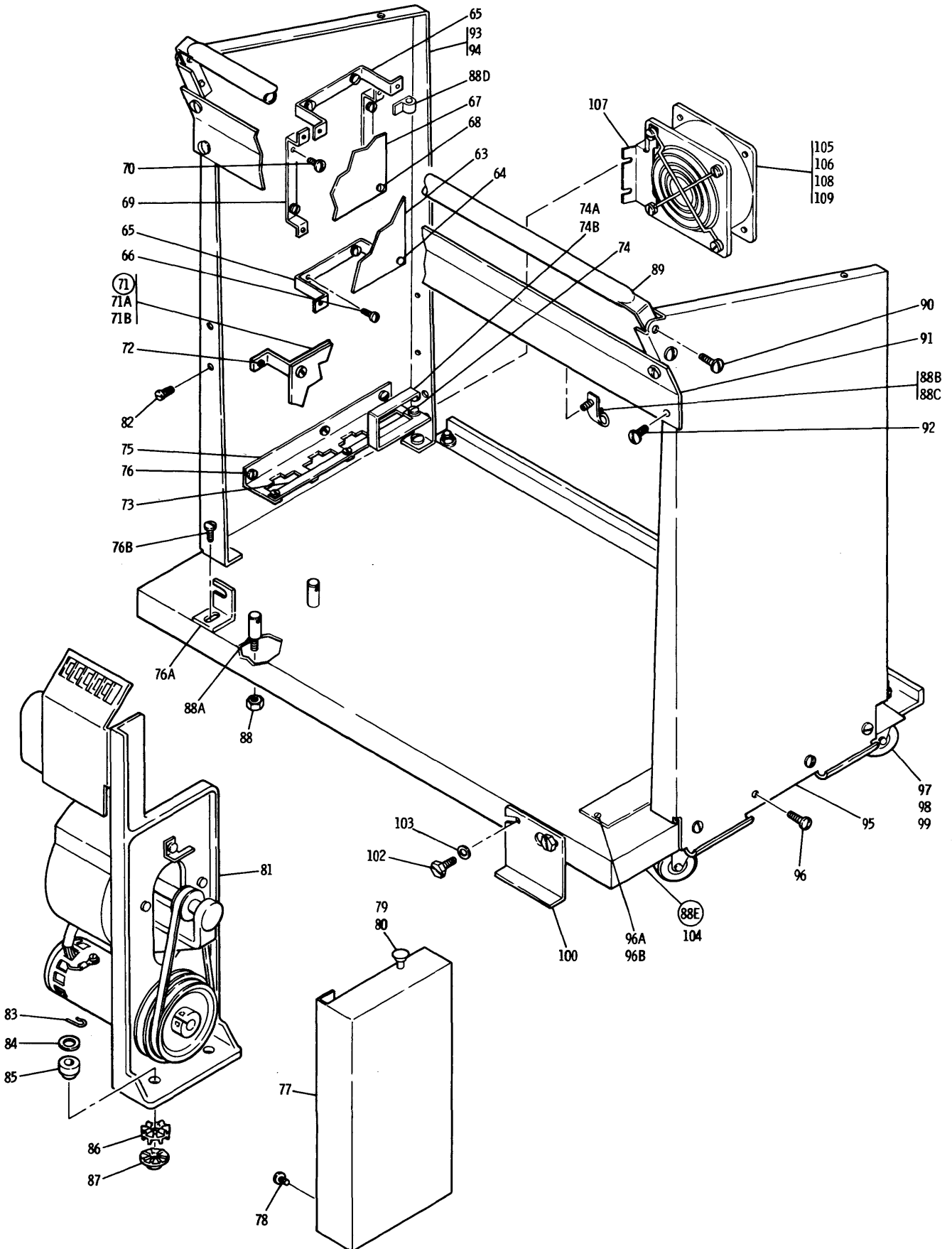


FIGURE 3. 3410 FINAL ASSEMBLY. SHEET 2 OF 3. INDEX NOS. 63-109. SEE LIST 3.

LIST AND INDEX	PART NUMBER	QTY.	DESCRIPTION
-105	4827369	(1)	<ul style="list-style-type: none"> <li>• FAN ASM, 50HZ MODEL 3 ONLY</li> <li style="padding-left: 20px;">SEE LIST 5 INDEX 1 FOR BREAKDOWN</li> </ul>
-106	2172166	(1)	<ul style="list-style-type: none"> <li>• GUARD, 60HZ MODEL 3 ONLY</li> </ul>
-106	2417512	(2)	<ul style="list-style-type: none"> <li>• GUARD, 50HZ MODEL 3 ONLY</li> </ul>
-107	1703129	(1)	<ul style="list-style-type: none"> <li>• BRACKET, 60HZ MODEL 3 ONLY</li> </ul>
-107	4054012	(1)	<ul style="list-style-type: none"> <li>• BRACKET, 50HZ MODEL 3 ONLY</li> </ul>
-108	322550	(4)	<ul style="list-style-type: none"> <li>• SCREW, BIND HD 6-32 X 1/2 LG</li> </ul>
-109	2518266	(1)	<ul style="list-style-type: none"> <li>• CLIP, 60HZ ONLY</li> </ul>

(CONTINUED)

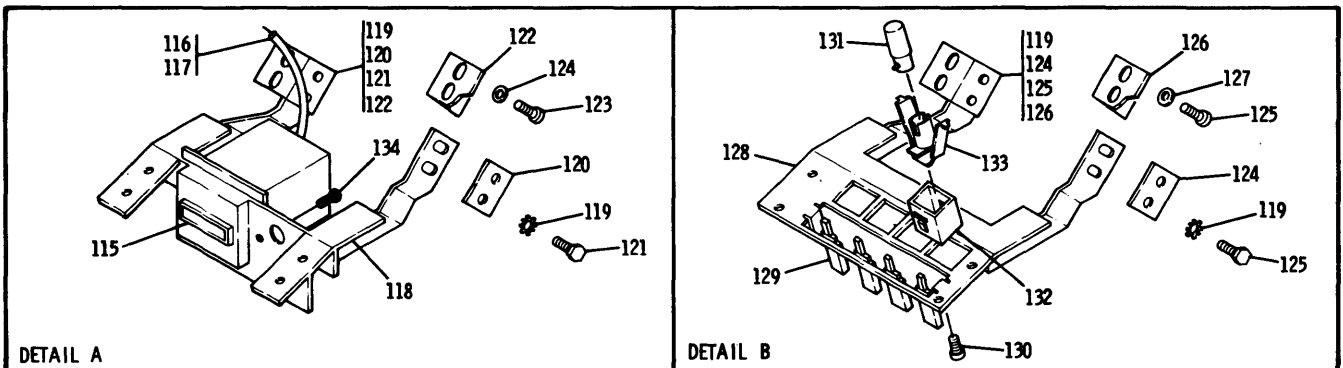
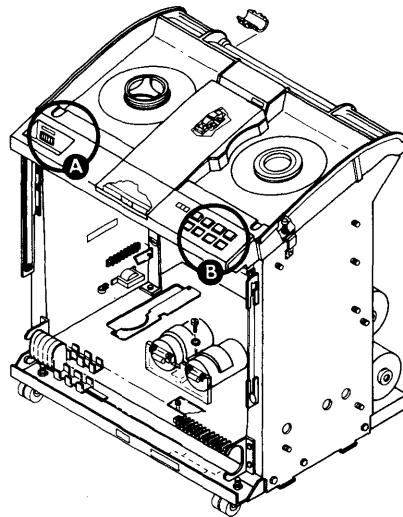
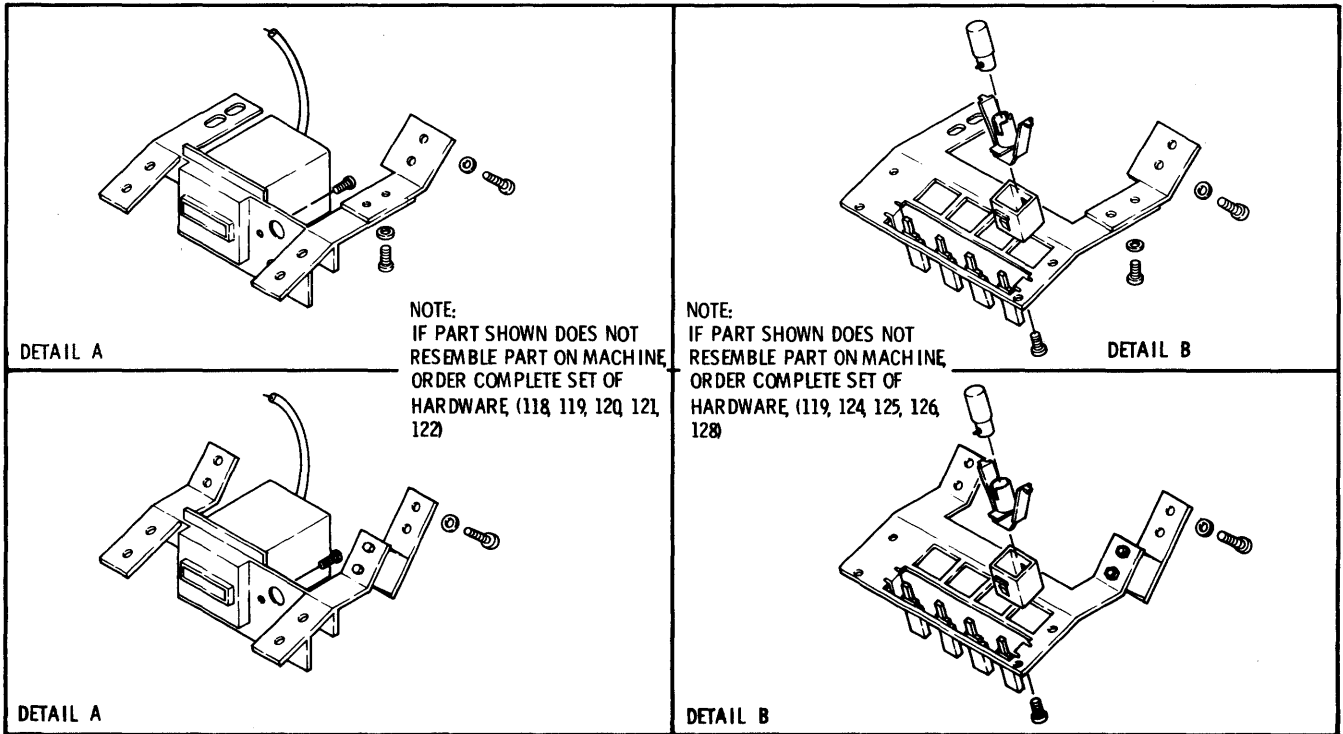


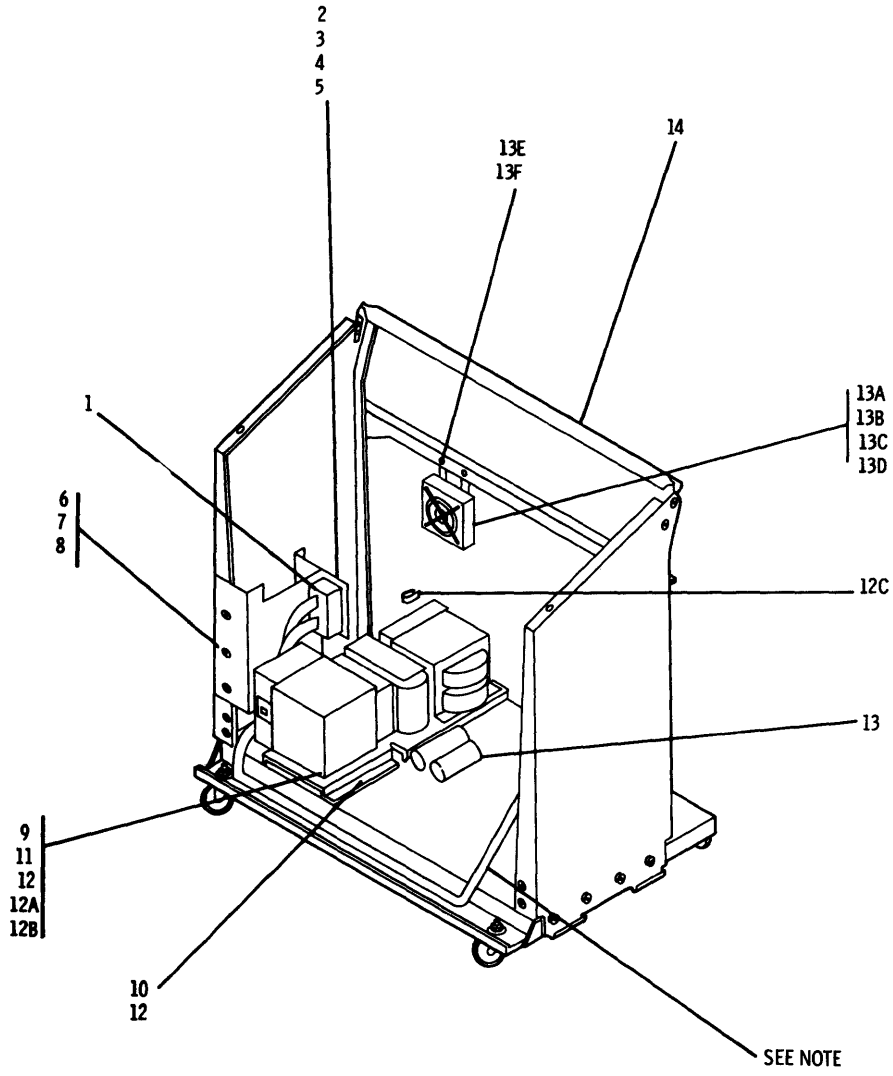
FIGURE 3. 3410 FINAL ASSEMBLY. SHEET 3 OF 3. INDEX NOS. 115-133. SEE LIST 3.

LIST AND INDEX	PART NUMBER	QTY.	DESCRIPTION
----------------	-------------	------	-------------

## 3410 FINAL ASSEMBLY(CONTINUED)

-115	740503	(1)	• CLOCK, 60HZ MODELS ONLY
-115	740608	(1)	• CLOCK, 50HZ MODELS ONLY
-116	5348367	(1)	• JUMPER, GROUND
-117	257189	(1)	• NUT, PLAIN 8-32
-118	1703104	(1)	• BRACKET, METER MOUNTING
			SEE NOTE DETAIL A
-119	56079	(8)	• WASHER, LOCK EXT TOOTH .204 ID X .410 OD
-120	1703102	(2)	• BRACKET, MOUNTING
-121	7327	(4)	• SCREW, HEX HD 10-32 X .437 LONG
-122	1703101	(4)	• BRACKET, MOUNTING
-123	5353301	(4)	• SCREW, THD FORMING HEX WSR HD
-124	3550	(4)	• WASHER, FLAT 1/4 ID X 9/16 OD X .050 THK
-125	5353301	(4)	• SCREW, THD FORMING HEX WSR HD
-126	1703101	(2)	• BRACKET, MOUNTING
-127	3550	(4)	• WASHER, FLAT 1/4 ID X 9/16 OD X .050 THK
-128	1703103	(2)	• BRACKET, SWITCH MOUNTING
			SEE NOT DETAIL B
-129	2517620	(1)	• SWITCH ASSEMBLY
-130	740501	(2)	• SCREW, THD FORMING BIND HD
-131	7025959	(4)	• LAMP
-132	827842	(4)	• HOUSING, LAMP
-133	5397638	(4)	• SOCKET, LAMP
-134	5319854	(2)	• SCREW, SELF TAPPING, 8-32 X .375 LONG

END OF LIST 3.



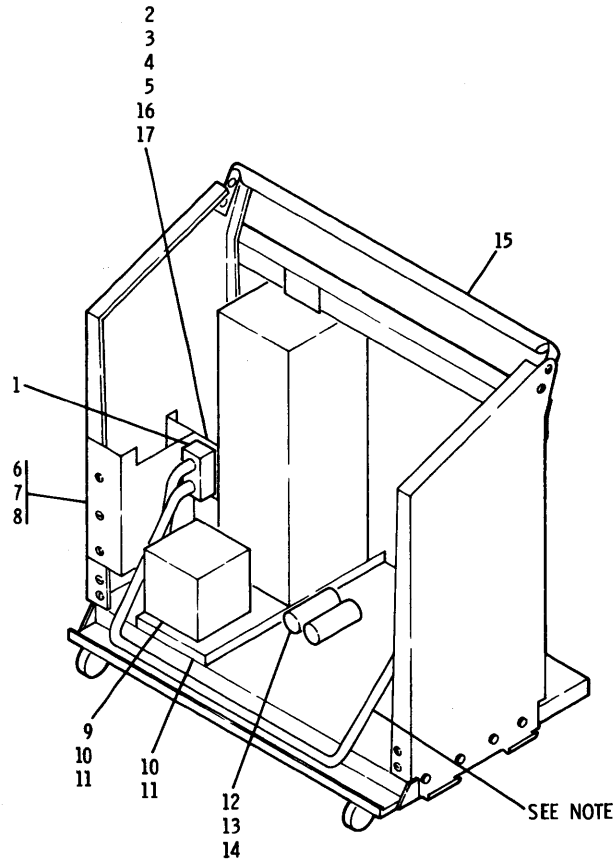
NOTE:  
FOR ALL CABLES, CARDS,  
ETC. - SEE ALD'S

FIGURE 3A. SYSTEM 7 ATTACHMENT FEATURE. SEE LIST 3A.



LIST AND INDEX	PART NUMBER	QTY.	DESCRIPTION
SYSTEM 7 ATTACHMENT FEATURE			
3A -	1766320	(NP)	SYSTEM 7 ATTACHMENT FEATURE USED ON 3410 MODEL 1 FOR ILLUSTRATION SEE FIGURE 3A
- 1	5362305	(REF)	• CONNECTOR ASM, STYLE B
- 2	1766341	(1)	• BRACKET, CONNECTOR
- 3	1766339	(1)	• TERMINAL
- 4	2181004	(2)	• SCREW
- 5	56079	(1)	• LOCKWASHER
- 6	1766316	(1)	• BRACKET
- 7	2181004	(6)	• SCREW
- 8	56079	(1)	• LOCKWASHER
- 9	1766300	(1)	• SUPPLY ASSEMBLY, POWER FOR DETAIL BREAKDOWN SEE LIST 5A
- 10	2181004	(1)	• SCREW
- 11	5372859	(3)	• SCREW
- 12	56079	(5)	• LOCKWASHER
- 12A	19852	(2)	• SCREW
- 12B	76574	(2)	• LOCKWASHER
- 12C	532393	(1)	• CLAMP, CABLE
- 13	NO NO.	(NP)	• CAPACITORS AND RESISTORS SEE LIST 3, INDEX NUMBERS 61 THRU 62B FOR ALL MODEL CAPACITORS AND RESISTORS
- 13A	2503537	(1)	• FAN ASSEMBLY (60HZ ONLY)
- 13A	4827369	(1)	• FAN ASSEMBLY (50HZ ONLY) SEE LIST 5-INDEX 1 FOR BREAKDOWN
- 13B	2172166	(1)	• GUARD, FAN (60HZ ONLY)
- 13B	2417512	(2)	• GUARD, FAN (50HZ ONLY)
- 13C	170228	(4)	• SCREW
- 13D	257986	(4)	• WASHER
- 13E	2518448	(2)	• BRACKET
- 13F	2181004	(2)	• SCREW
- 14	2517670	(NP)	• FRAME

END OF LIST 3A.



NOTE:  
FOR ALL CABLES, CARDS,  
ETC. - SEE ALD'S

FIGURE 3B. SYSTEM 7 ATTACHMENT FEATURE ASSEMBLY. SEE LIST 3B.

LIST AND INDEX	PART NUMBER	QTY.	DESCRIPTION
----------------	-------------	------	-------------

## SYSTEM 7 ATTACHMENT FEATURE ASSEMBLY

3B -	5878555	(NP)	ATTACHMENT FEATURE ASSEMBLY,SYSTEM 7 USED ON 3410 MODEL 1 RPQ 7H0002 FOR ILLUSTRATION SEE FIGURE 3B
- 1	5362305	(REF)	• CONNECTOR ASM,STYLE B
- 2	1766341	(1)	• BRACKET,CONNECTOR
- 3	5214679	(1)	• TERMINAL
- 4	2181004	(1)	• SCREW,THD FORMING HEX WSR HD 10-32 X .375 LG
- 5	56722	(2)	• WASHER,LOCK .141 ID X .410 OD
- 6	1766316	(1)	• BRACKET
- 7	2181004	(6)	• SCREW,THD FORMING HEX WSR HD 10-32 X .375 LG
- 8	56079	(1)	• WASHER,LOCK .195 ID X .410 OD
- 9	2448640	(1)	• SUPPLY ASM,POWER-BULK 1 FOR DETAIL BREAKDOWN SEE LIST 3C
- 10	234340	(4)	• SCREW ASM,HEX WSR HD 1/4-20 X 1/2 LG
- 11	56079	(4)	• WASHER,LOCK .141 ID X .410 OD
- 12	2524760	(2)	• CAPACITOR,180KMFD 20VDC 7.5% -10%
- 13	1766338	(1)	• RESISTOR,30 OHMS 25 WATTS
- 14	5261899	(1)	• RESISTOR,100 OHMS 5 WATTS
- 15	2517670	(NP)	• FRAME,MACHINE
- 16	322065	(1)	• SCREW BIND HD 6-32 X .625 LG
- 17	257187	(1)	• NUT,HEX 6-32

END OF LIST 3B.

FOR CABLE ASM'S AND COMPONENT PARTS SEE LIST 16

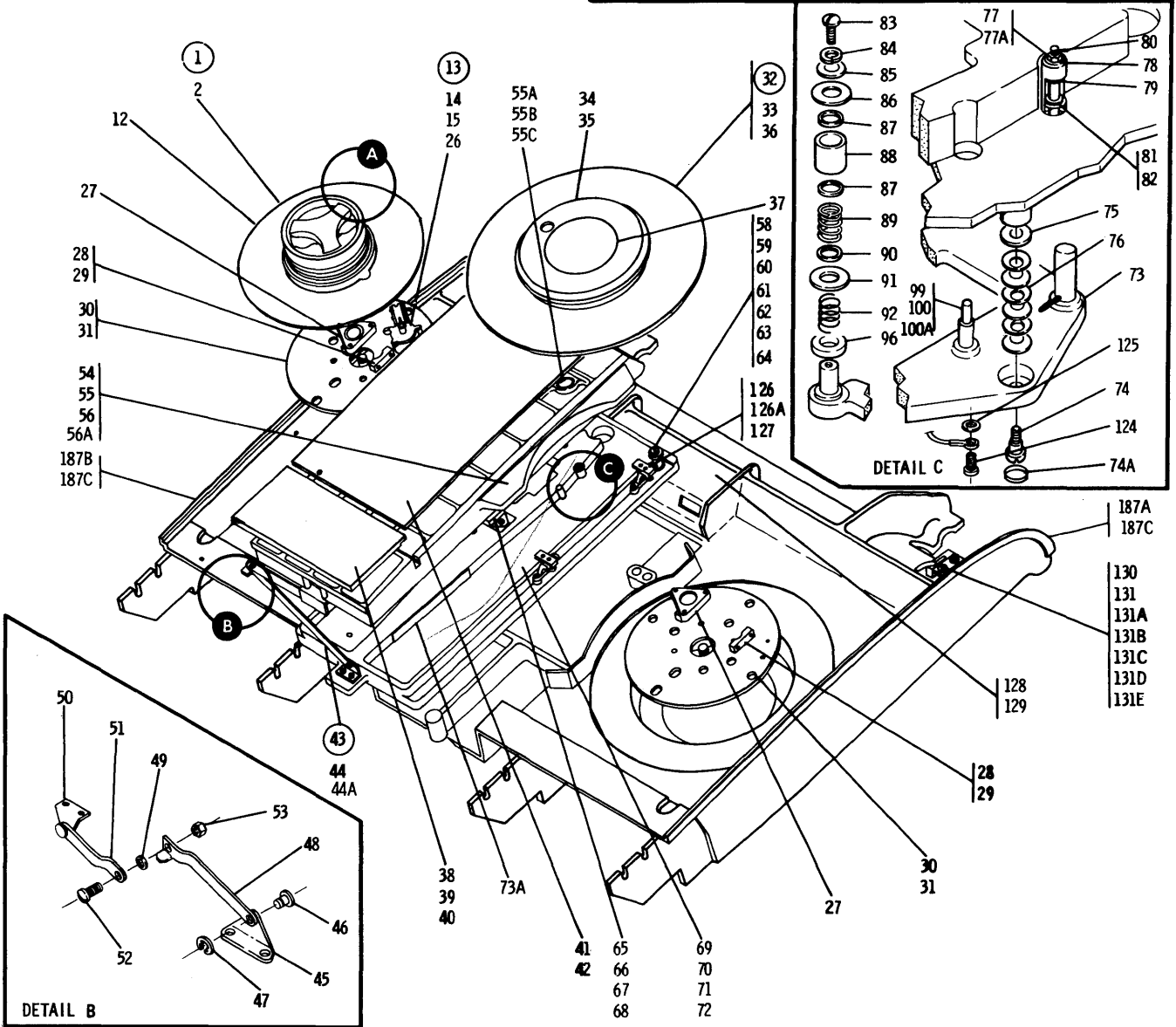
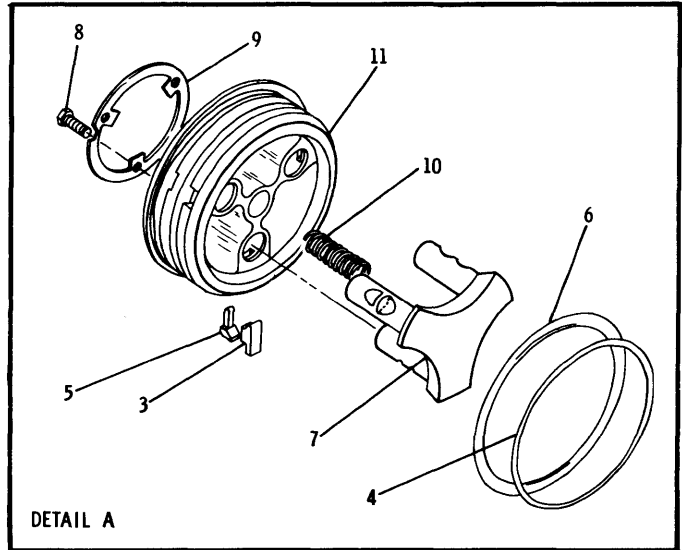


FIGURE 4. TRANSPORT ASSEMBLY. SHEET 1 OF 2. INDEX NOS. 1-131E. SEE LIST 4.

LIST AND INDEX	PART NUMBER	QTY.	DESCRIPTION
TRANSPORT ASSEMBLIES			
4 -	2518468	(NP)	TRANSPORT ASSEMBLY USED ON MODEL 1 ONLY
-	2518168	(NP)	TRANSPORT ASSEMBLY USED ON MODELS 1 AND 2 ONLY
-	2518169	(NP)	TRANSPORT ASSEMBLY USED ON MODEL 3 ONLY FOR NEXT HIGHER ASM SEE LISTS 2-54 AND 3-43 FOR ILLUSTRATION SEE FIG. 4
- 1	2517850	(1)	• LATCH ASSEMBLY, REEL
- 2	2518064	(3)	• SCREW, BUTTON HEAD SOCKET
- 3	2517854	(NP)	• • PIN LOCATING
- 4	2517848	(NP)	• • O RING LOCATING
- 5	2517853	(NP)	• • PIN, TOGGLE
- 6	2517847	(NP)	• • O RING, LATCHING
- 7	2517852	(NP)	• • HANDLE, TREFOIL
- 8	7327	(NP)	• • SCREW, MACH-BIND HD 10-32 X .437 LG
- 9	1703105	(NP)	• • RING, LOCKING
- 10	2517849	(NP)	• • SPRING, COMPRESSION
- 11	2517851	(NP)	• • REEL HUB
- 12	2517911	(1)	• FILLER, DECORATIVE
- 13	2517715	(1)	• FILE PROTECT ASSEMBLY
- 14	236550	(2)	• SCREW, MACH, BIND HD, 4-40 X .375 LG
- 15	120789	(AR)	• WASHER, FLAT- NO 10 x 3/4 OD x .046 THK
- 26	2518243	(1)	• TUBING, .125 ID, .249 OD
- 27	2517846	(2)	• HUB, CLAMPING (DOM)
- 27	1773307	(2)	• HUB, CLAMPING (WTC)
- 28	2517845	(2)	• CLAMP, HUB
- 29	149695	(4)	• SCREW, CAP, SOC HD- 10-32 X 1 LG
- 30	2517761	(2)	• PLATE, MOTOR MTG
- 31	2518254	(1)	• SCREW, THD FORMING HEX WASHER HD
- 32	2517660	(1)	• REEL ASSEMBLY
- 33	332620	(3)	• SCREW, MACH-BIND HD 10-32 X 1/2 LG
- 34	2518423	(NP)	• • HUB, MACHINE REEL
- 35	80651	(6)	• • SCREW, THD CTG-BIND HD 6-32 X 3/8 LG
- 36	2517661	(NP)	• • FLANGE, MACHINE REEL
- 37	2523727	(1)	• DISC, DECORATIVE
- 38	2517597	(1)	• COVER, LOWER COLUMN DOOR
- 39	80652	(2)	• SCREW, THD CTG-BIND HD 6-32 X 5/8 LG
- 40	257986	(4)	• WASHER, FLAT NO. 6
- 41	2517596	(1)	• COVER, UPPER COLUMN DOOR
- 42	91610	(3)	• SCREW, THD CTG-BIND HD 6-32 X 1/2 LG
- 43	2517650	(1)	• STAYBRACE ASSEMBLY
- 44	38235	(4)	• SCREW-MACH, BIND HD NO. 6-32 X .310 LG
- 44A	56722	(4)	• WSR, LOCK-EXT TOOTH .150 ID
- 45	2517642	(NP)	• • BRACKET, COLUMN STAYBRACE MTG.
- 46	2517646	(NR)	• • PIN, STAYBRACE BRACKET
- 47	1171121	(NR)	• • CLIP, SPRING
- 48	2517644	(NP)	• • STAYBRACE, COVER LOWER
- 49	22478	(NR)	• • WASHER, FL- 0.170 ID 0.375 OD 0.032 THK
- 50	2517643	(NP)	• • BRACKET, COVER STAYBRACE MTG.
- 51	2517645	(NP)	• • STAYBRACE, COVER UPPER
- 52	81693	(NR)	• • SCREW, MACH-BIND HD 6-32 X 3/8 LG
- 53	344015	(NR)	• • NUT, SELF LKG, HEX- 6-32 X 5/16 FL W
- 54	2517592	(1)	• SEAL, HEAD COVER
- 55	2517577	(1)	• COVER, COLUMN
- 55A	1703154	(1)	• VALVE
- 55B	2121826	(1)	• SPRING
- 55C	2517758	(1)	• RING, LOCKING
- 56	81693	(4)	• SCREW-MACH, BIND HD NO. 6-32 X .375 LG
- 56A	56722	(4)	• WSR, LOCK-EXT TOOTH .150 ID
- 58	2517636	(1)	• ROLLER AND BEARING, RIGHT SIDE
- 58	2518334	(1)	• ROLLER AND BEARING, LEFT SIDE
- 59	10170	(2)	• SCREW-MACH, BIND HD NO. 6-32 X .250 LG
- 60	22478	(2)	• WASHER, FL- .170 ID X .032 THK

FOR CABLE ASM'S AND COMPONENT PARTS SEE LIST 16

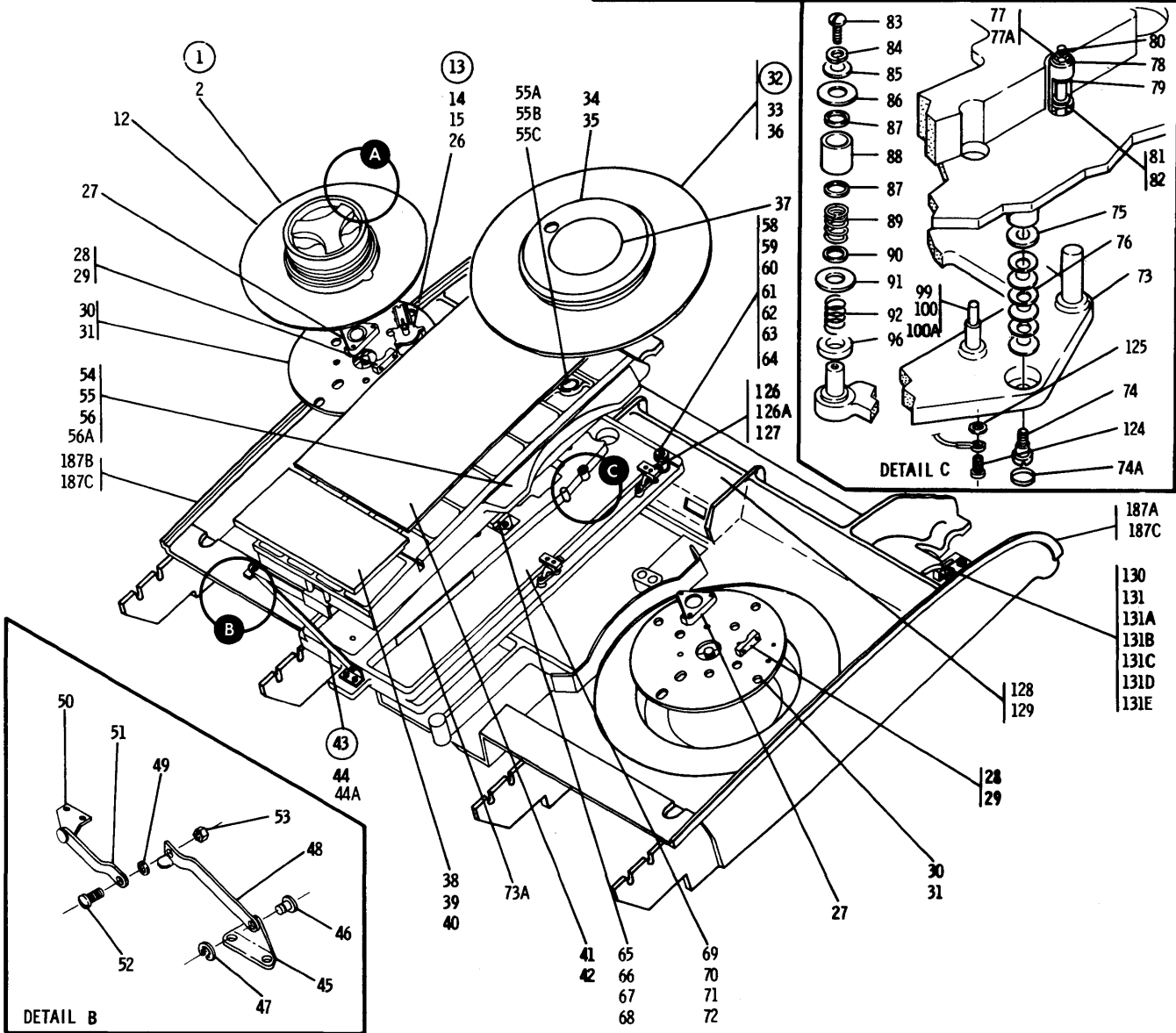
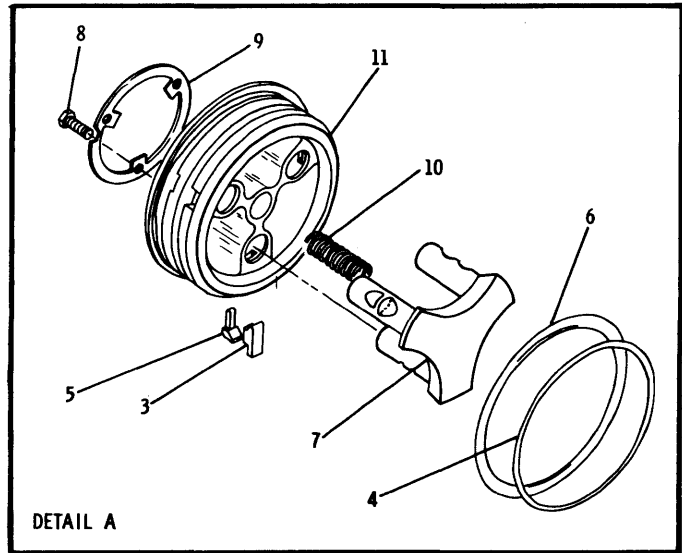


FIGURE 4. TRANSPORT ASSEMBLY. SHEET 1 OF 2. INDEX NOS. 1-131E. SEE LIST 4.

LIST AND INDEX	PART NUMBER	QTY.	DESCRIPTION
- 61	5414088	(2)	• WASHER-FLAT REAR BEARING 1-64IN.THK
- 62	5414084	(2)	• SPRING-COMPRESSION
- 63	2517588	(2)	• SHAFT, GUIDE ROLLER
- 64	612470	(2)	• SCREW, ADJUSTING
- 65	2518243	(1)	• TUBING, FILE PROTECT, .125 ID, .249 OD
- 66	2517564	(1)	• INDICATOR, TAPE
- 67	35739	(2)	• SCREW,MACH-BIND HD 6-32 X 15/16 LG
- 68	257986	(2)	• WASHER,FLAT NO. 6
- 69	2518554	(1)	• COLUMN, VACUUM USED ON MODELS 2 AND 3
- 69	2518553	(1)	• COLUMN, VACUUM USED ON MODEL 1
- 70	438601	(1)	• SCREW,MACH-UNDRCT BIND HD 10-32 X 7/8 LG
- 71	322562	(4)	• SCREW,MACH-BIND HD 10-32 X 1-1/2 LG
- 72	45690	(5)	• WASHER, FL - NO.10 X 7/16 OD X 1/32 THK
- 73	2518467	(NP)	• PLATE, SUB USED ON MODEL 1
- 73	2518484	(NP)	• PLATE, SUB USED ON MODELS 2 AND 3
- 73A	2518260	(4)	• SHIM
- 74	2518287	(NR)	• SCREW, SUBPLATE MTG 10-32 X .480LG
- 74A	2517908	(NR)	• COVER, SCREW
- 75	2518252	(NR)	• SPACER, SUBPLATE MTG
- 76	2517632	(18)	• WASHER, BELLEVILLE SPRING
- 77	47987	(AR)	• • NUT, HEX
- 77A	219549	(AR)	• • LOCKWASHER
- 78	2518286	(AR)	• • CAP, GUIDE MTG
- 79	2518301	(AR)	• • GUIDE, TAPE
- 80	2518285	(AR)	• • SHAFT, GUIDE
- 81	2518320	(AR)	• • GUIDE, TAPE
- 82	2518262	(AR)	• • SPRING
- 83	38263	(1)	• • SCREW USED ON MODEL 1 ONLY
- 84	257984	(1)	• • LOCKWASHER USED ON MODEL 1 ONLY
- 85	257985	(1)	• • WASHER USED ON MODEL 1 ONLY
- 86	2518452	(1)	• • GUIDE USED ON MODEL 1 ONLY
- 87	2518463	(AR)	• • SPACER
- 87	1773894	(AR)	• • SPACER (WTC MACHINES OPTIONAL)
- 87	5414088	(AR)	• • SPACER USED ON MODEL 1 ONLY
- 88	2518478	(1)	• • ROLLER USED ON MODEL 1 ONLY
- 89	2518461	(1)	• • SPRING USED ON MODEL 1 ONLY
- 90	2518456	(1)	• • SPACER USED ON MODEL 1 ONLY
- 91	2518453	(1)	• • GUIDE USED ON MODEL 1 ONLY
- 92	2518462	(1)	• • SPRING
- 92	1773414	(1)	• • SPRING (WTC MACHINES OPTIONAL) USED ON MODEL 1 ONLY
- 96	2518464	(AR)	• • FOAM RUBBER USED ON MODEL 1 ONLY
- 97	2518450	(NP)	• • SHAFT (MODEL 1 ONLY)
- 99	2518288	(1)	• • PIN
-100	257189	(1)	• • NUT
-100A	55901	(1)	• • WASHER, LOCK EXT TOOTH
-101	2518483	(NP)	• • CASTING ASSEMBLY USED ON MODEL 1
-101	2518283	(NP)	• • CASTING ASSEMBLY USED ON MODELS 2 AND 3
-124	10170	(1)	• SCREW-MACH,BIND HD NO. 6-32 X .250 LG
-125	56722	(1)	• WASHER, LOCK EXT T, .150 ID
-126	2518299	(2)	• HINGE, COLUMN DOOR LOWER

FOR CABLE ASM'S AND COMPONENT PARTS SEE LIST 16

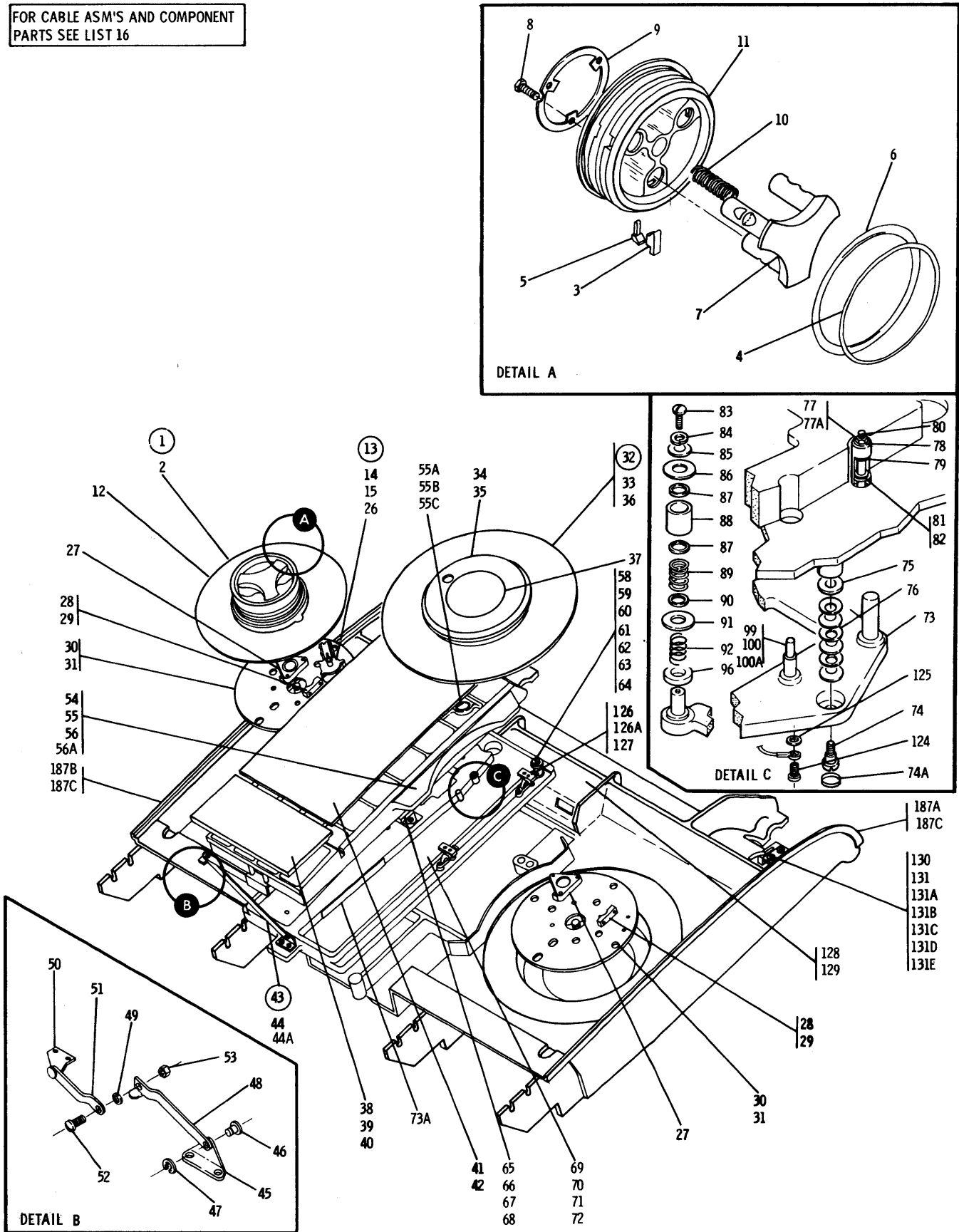


FIGURE 4. TRANSPORT ASSEMBLY. SHEET 1 OF 2. INDEX NOS. 1-131E. SEE LIST 4.



LIST AND INDEX	PART NUMBER	QTY.	DESCRIPTION
-126A	2518300	(2)	• HINGE, COLUMN DOOR UPPER
-127	38235	(4)	• SCREW MACH 6/32 X .310 LG
-128	2517770	(1)	• COVER, TRANSPORT DECORATIVE
-129	438589	(1)	• SCREW, MACH-UNDRCT BIND HD 8-32 X 1-1/4
-130	2518418	(1)	• SWITCH-INTERLOCK
-131	438554	(2)	• SCREW, MACH-BIND HD 4-40 X 1 LG
-131A	37913	(2)	• NUT, HEX 4-40 NC
-131B	257985	(2)	• WASHER-PLAIN, .125 ID .250 OD NO. 4
-131C	2518278	(1)	• BRACKET, SWITCH MTG.
-131D	189350	(2)	• SCREW
-131E	2501044	(2)	• SPACER, SWITCH INTERLOCK

(CONTINUED)

FOR CABLE ASM'S AND  
COMPONENT PARTS SEE  
LIST 16

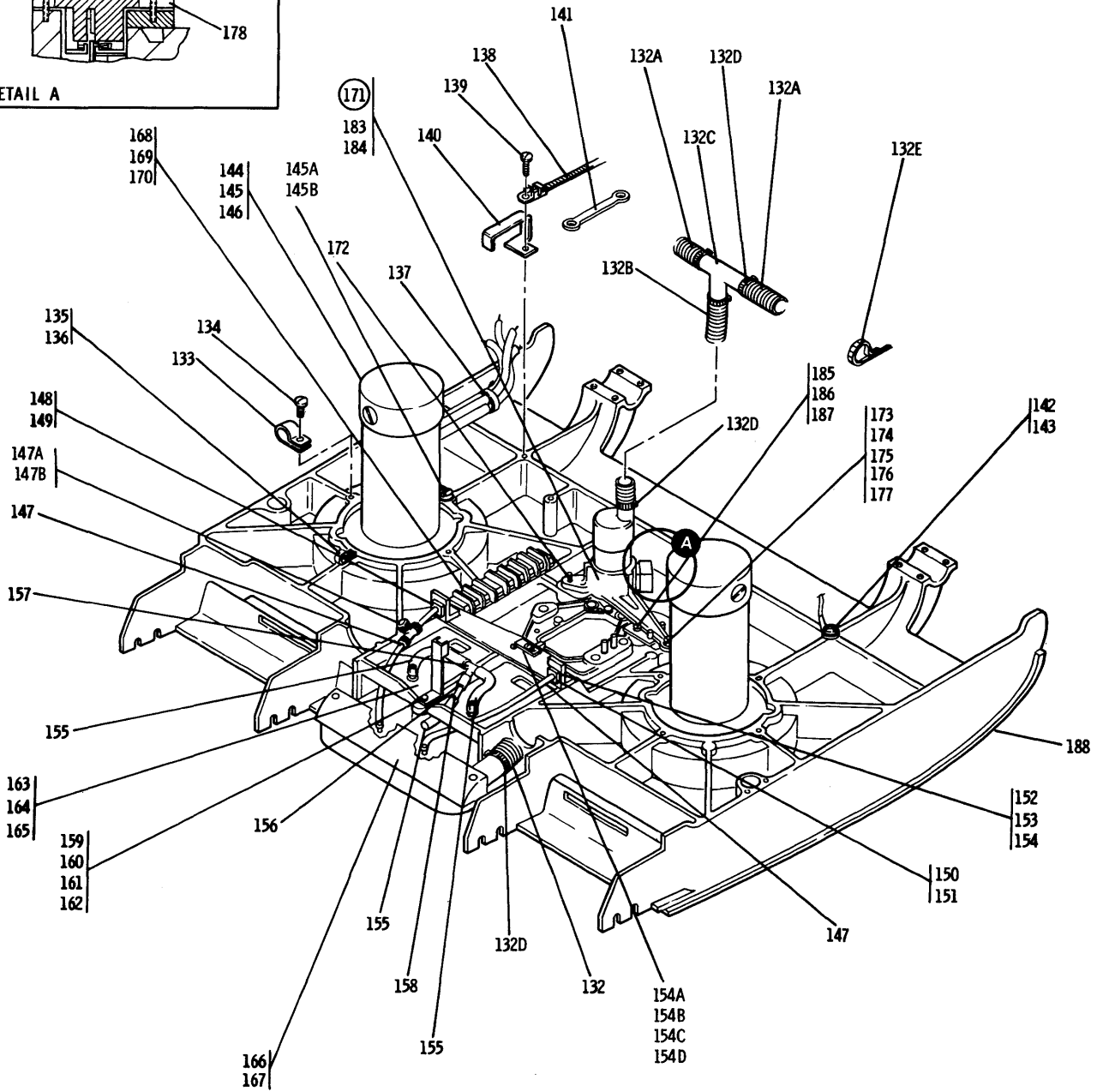
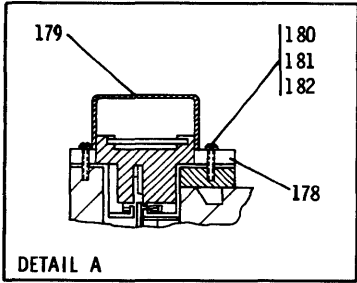
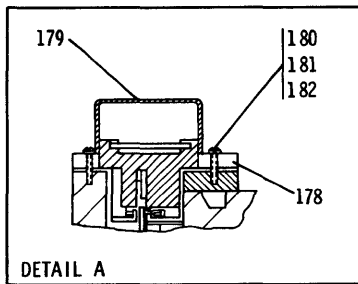


FIGURE 4. TRANSPORT ASSEMBLY. SHEET 2 OF 2. INDEX NOS. 132-189. SEE LIST 4.

LIST AND INDEX	PART NUMBER	QTY.	DESCRIPTION
TRANSPORT ASSEMBLY (CONTINUED)			
-132	2518504	(AR)	• HOSE, FLEXIBLE VINYL, 1.25 ID X 49 IN LG USED ON MODELS 1 AND 2
-132A	2518241	(AR)	• HOSE, FLEXIBLE VINYL, 1.25 ID X 27 IN LG USED ON MODEL 3
-132B	2518242	(AR)	• HOSE, FLEXIBLE VINYL, 1.00 ID X 12 IN LG USED ON MODEL 3
-132C	2518319	(1)	• TEE USED ON MODEL 3
-132D	594237	(AR)	• CLAMP, HOSE DOMESTIC USE ONLY
-132D	2096585	(AR)	• CLAMP HOSE WTC USE ONLY
-132E	1145574	(2)	• CLAMP, ADJUSTABLE CABLE
-133	327921	(AR)	• CLAMP
-134	2518254	(AR)	• SCREW, THD FORMING, HEX WASHER HD
-135	532393	(AR)	• CLAMP, ADJUSTABLE CABLE
-136	2518254	(AR)	• SCREW, THD FORMING, HEX WASHER HD
-137	1159519	(AR)	• STRAP, CABLE ADJUSTING
-138	532393	(AR)	• CLAMP, ADJUSTABLE CABLE
-139	81693	(AR)	• SCREW, BIND HD, 6-32 X .375 LG
-140	2503586	(AR)	• SUPPORT, CABLE
-140	1773333	(AR)	• SUPPORT, CABLE (WTC MACHINE SUBSTITUTE)
-141	811427	(AR)	• RETAINER
-142	2183342	(AR)	• SCREW, THREAD FORMING HEX WASHER HD
-143	76574	(AR)	• WASHER, LOCK, EXT TOOTH
-144	2517838	(2)	• MOTOR, PERMANENT MAGNET DC1 USED ON MODELS 1 AND 2
-144	2517826	(2)	• MOTOR, PERMANENT MAGNET DC 3 USED ON MODEL 3
-145	234320	(8)	• SCREW,ASMD WASHER-FIL H 8-32 X 1/2 LG USED ON MODELS 1 AND 2
-145	234331	(8)	• SCREW, ASMD WASHER FIL H 10-32 X 1/2 LG USED ON MODEL 3
-145A	2518254	(1)	• SCREW, THD FORMING-HEX WSR HD
-145B	56079	(1)	• WASHER, LOCK-EXT TH .204ID .410ID
-146	22478	(8)	• WASHER,FL- 0.170 ID 0.375 OD 0.032 THK USED ON MODELS 1 AND 2
-146	45690	(8)	• WASHER, FL NO. 10 X 7/16 OD X 1/32 THK USED ON MODEL 3
-147	2512745	(AR)	• TUBING, PNEUMATIC 1/8 ID-3/16 OD X 9 IN LG
-147A	1773253	(1)	• TEE
-147B	2501661	(1)	• CAP
-148	2517780	(1)	• SWITCH, PRESSURE
-149	438551	(2)	• SCREW, MACH-BIND HD 4-40 X 5/8 LG
-150	2517780	(1)	• SWITCH, PRESSURE
-151	438551	(2)	• SCREW, MACH-BIND HD 4-40 X 5/8 LG
-152	2518522	(2)	• BRACKET, SWITCH MTG
-153	287501	(2)	• SCREW, MACH FIL HD 10-32 X 2 1/8 LG
-154	45690	(4)	• WASHER, FL NO. 10 X 7/16 OD X 1/32 THK
-154A	2518521	(1)	• CLAMP
-154B	5528	(1)	• SCREW
-154C	22478	(1)	• WASHER
-154D	1090873	(1)	• LOCKWASHER
-155	2517774	(3)	• TUBING, BLEED TO PLENUM, .250 ID, .374 OD
-156	2517773	(1)	• TUBING, CAPACITIVE SENSE, .250 ID, .374 OD
-157	2517779	(1)	• TEE, VACUUM
-158	2517756	(1)	• ORIFICE, BLEED
-159	2518239	(1)	• SUPPORT, HEAD CARD FRAME
-160	332620	(1)	• SCREW, MACH BIND HD 10-32 x 1/2 LG
-161	337	(4)	• SCREW,MACH-FIL H 8-32 X 3/8 LG
-162	45690	(2)	• WASHER, FL NO. 10 X 7/16 OD X 1/32 THK
-163	2517555	(2)	• CAPACITIVE SENSE
-164	2518265	(8)	• SCREW, SELF TAP, PAN HD 6-20 X .750LG
-164	205652	(8)	• SCREW, FIL HD 2-56 X .625 LG FOR USE WITH INSERTS ONLY



FOR CABLE ASM'S AND  
COMPONENT PARTS SEE  
LIST 16

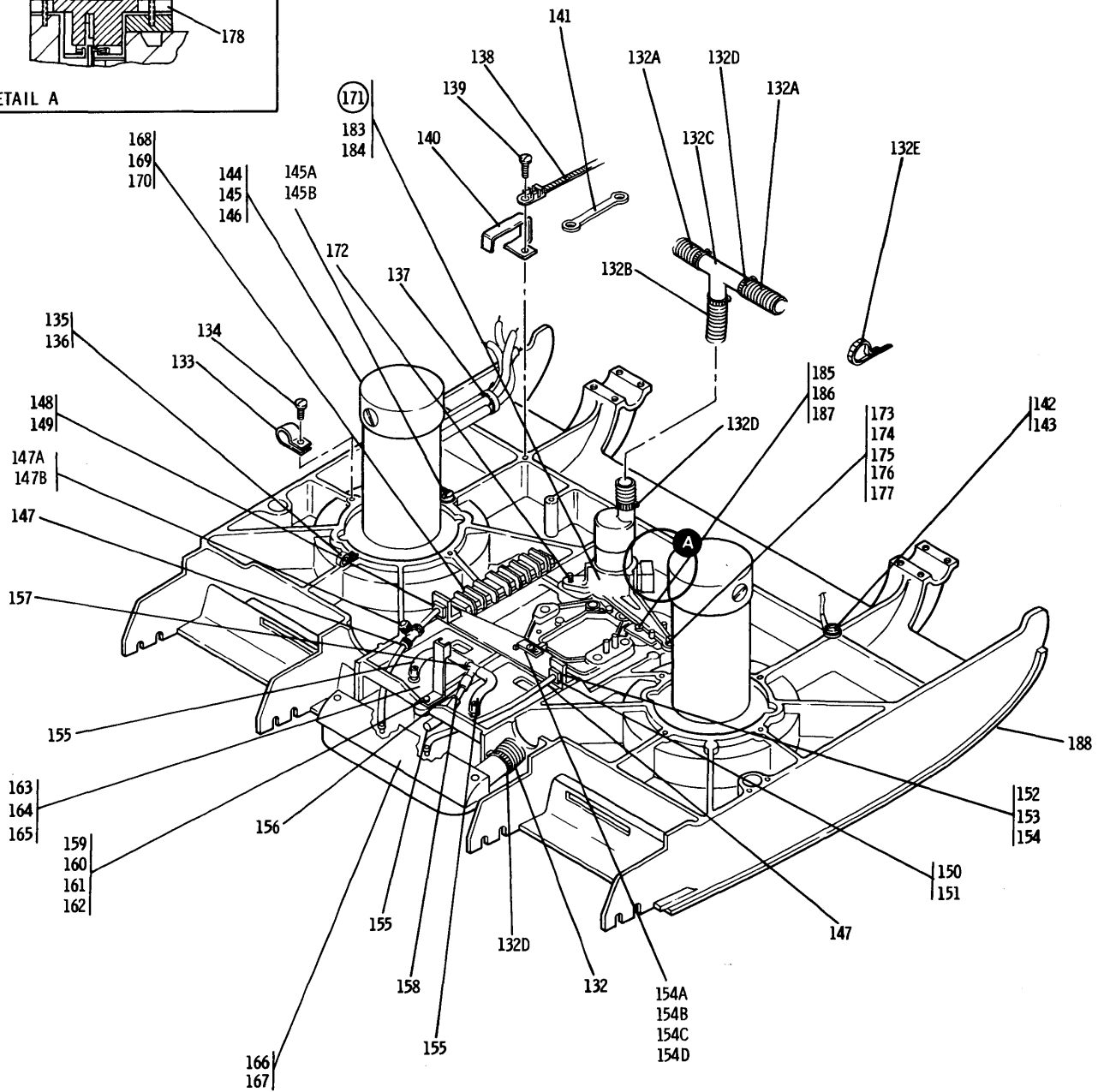


FIGURE 4. TRANSPORT ASSEMBLY. SHEET 2 OF 2. INDEX NOS. 132-189. SEE LIST 4.

LIST AND INDEX	PART NUMBER	QTY.	DESCRIPTION
-165	2517589	(2)	• SEAL, CAPACITIVE SENSE VACUUM
-166	2517778	(1)	• PLENUM
-167	438568	(2)	• SCREW,MACH-UNDRCT BIND HD 6-32 X 1-1/8
-168	317131	(1)	• TERMINAL BOARD- 6 DBL SCREW TERMINALS
-169	2181003	(4)	• SCREW,MACH-PAN HD THD FRMNG NO. 6-32
-170	322266	(1)	• MARKER STRIP- 6 POS NOS. 1 THRU 6
-171	2523227	(1)	• CAPSTAN MOTOR ASSEMBLY
-172	2517768	(2)	• SCREW, SOCKET HEAD CAP
-173	5412813	(2)	• O-RING, .208 ID X .348 OD X .070 THK
-174	2517767	(3)	• SPRING, COMPRESSION
-175	3960	(1)	• NUT,PLAIN,HEX- 1/4-20 X 7/16 FL W
-176	3550	(1)	• WASHER,FL- 1/4 X 9/16 OD X 0.050 THK
-177	2517759	(1)	• LOCATOR, MOTOR
-178	2523231	(NP)	• • TACHOMETER
-179	2523261	(1)	• • COVER, TACHOMETER
-180	236550	(NP)	• • SCREW,MACH-BIND HD 4-40 X 0.375 LG
-181	257984	(NP)	• • WASHER,LOCK-SPRING MEDIUM
-182	20038	(NP)	• • WASH FT NO 10 X 760 OD
-183	2523230	(NP)	• • BRUSH
-184	472729	(NP)	• • SCREW,MACH-FL CSK HD 4-40 X 3/8 LG
-185	2518066	(1)	• STOP, CAPSTAN MOTOR
-186	10295	(1)	• SCREW,MACH-BIND HD 10-32 X 1-1/8 LG
-187	45690	(1)	• WASHER, FL NO. 10 X 7/16 OD X 1/32 THK
-187A	2518321	(1)	• TRACK, TAMBOUR - LEFT
-187B	2518322	(1)	• TRACK, TAMBOUR - RIGHT
-187C	236529	(AR)	• SCREW, THD CTG - FL CSK HD 3/8LG
-187C	112628	(AR)	• SCREW, THD CTG - BIND HD 3/8LG
-188	2517783	(NP)	• PLATE, MAIN USED WITHOUT TAMBOUR TRACKS
-188	2578309	(NP)	• PLATE, MAIN USED WITH TAMBOUR TRACKS
-189	2501904	(2)	• PIN

END OF LIST 4.

FOR CABLE ASM'S AND  
COMPONENT PARTS  
SEE LIST 16

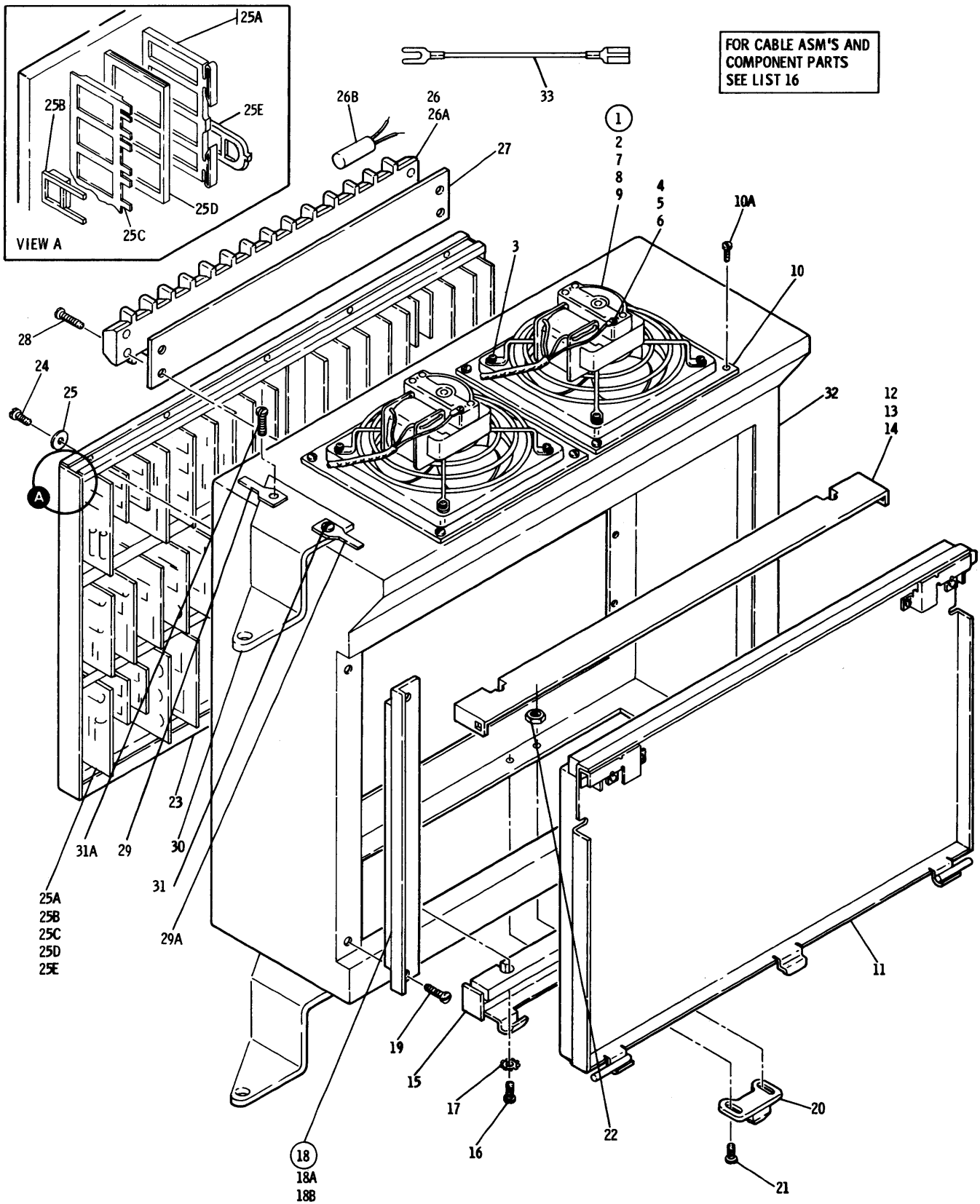


FIGURE 5. GATE ASSEMBLY. SEE LIST 5.

LIST AND INDEX	PART NUMBER	QTY.	DESCRIPTION
GATE ASSEMBLY			
5 -	NO NO.	(NP)	GATE ASSEMBLY FOR NEXT HIGHER ASM SEE LIST 2-51 FOR ILLUSTRATION SEE FIG.5
- 1	2503537	(2)	• FAN ASSEMBLY, 60 HZ USED ON 60HZ ONLY
- 1	4827369	(1)	• FAN ASM 50HZ USED ON 50HZ ONLY
- 2	2518266	(2)	• GUARD, FAN
- 2	2417512	(2)	• GUARD, FAN - PLANT 51 SUB USED ON 60HZ ONLY
- 2	4103890	(2)	• GUARD, FAN
- 2	2417512	(2)	• GUARD, FAN - PLANT 51 SUB USED ON 50HZ ONLY
- 3	35739	(8)	• SCREW,MACH-BIND HD 6-32 X 15/16 LG
- 4	334932	(1)	• • TERMINAL, RING 18/22 AWG NO. 10 IN USED ON 60HZ ONLY
- 4	334921	(1)	• • TERMINAL, LUG NO. 22 THRU NO. 18 WIRE IN USED ON 50HZ ONLY
- 5	32617	(1)	• • SCREW, MACH BD HD 10-32 NF X .4375 LG USED ON 60HZ ONLY
- 5	81693	(1)	• • SCREW, MACH BIND HD 6-32 X 3/8 LG USED ON 50HZ ONLY
- 6	56079	(1)	• • WASHER-LOCK,EXT T .204 ID .410 OD USED ON 60HZ ONLY
- 6	56722	(1)	• • WASHER, LOCK EXT T, .150 ID USED ON 50HZ ONLY
- 7	5353853	(1)	• • HOUSING
- 8	5353854	(3)	• • CONTACT,MALE- 16-20 AWG
- 9	5357090	(1)	• • MOTOR, FAN-60 HZ USED ON 60 HZ ONLY
- 9	4120171	(1)	• • MOTOR, FAN USED ON 50HZ ONLY
- 10	2518421	(2)	• PLATE, FAN MTG.
- 10A	5319854	(8)	• SCREW, SELF TAPPING, 8-32 X .375 LONG
- 11	819290	(1)	• COVER
- 12	819268	(1)	• GUIDE,UPPER
- 13	811417	(2)	• SCREW,HEX SOCKET H- 6-32 X 1/2 LG
- 14	257986	(2)	• WASHER,FLAT NO. 6
- 15	819269	(1)	• GUIDE, LOWER
- 16	811417	(2)	• SCREW,HEX SOCKET H- 6-32 X 1/2 LG
- 17	257986	(2)	• WASHER,FLAT NO. 6
- 18	2517683	(1)	• RETAINER ASM, CABLE
- 18A	819299	(1)	• • SEAL
- 18B	2517684	(1)	• • RETAINER
- 19	5528	(2)	• SCREW,MACH BIND HD 8-32 X .625 LG
- 20	597068	(1)	• CATCH-COVER
- 21	32042	(2)	• SCREW, MACH BIND. HD 10-32 X 3/8 LG.
- 22	11598	(2)	• NUT PLAIN HEX 10/32
- 23	2521850	(1)	• BOARD
- 24	2181088	(16)	• SCREW,HEX SOC HD-THD FORMING
- 25	257986	(16)	• WASHER,FLAT NO. 6
- 25A	819408	(AR)	• HOLDER, 3 HIGH-4 WIDE
- 25A	818002	(AR)	• HOLDER, 3 HIGH-2 WIDE
- 25A	819409	(AR)	• HOLDER, 2 HIGH-1 WIDE
- 25A	819850	(AR)	• HOLDER, 2 HIGH-4 WIDE
- 25B	819411	(AR)	• EXTENDER, CABLE
- 25C	819625	(AR)	• HOLDER, 3 HIGH-4 WIDE
- 25D	819632	(AR)	• SPACER, 3 HIGH - 4 WIDE
- 25D	816983	(AR)	• DUMMY, 3HIGH - 2 WIDE
- 25E	819410	(AR)	• PLUG, ADDITIONAL UNIT FEATURE
- 26	730468	(1)	• JUMPER, TERMINAL STRIP
- 26A	477266	(1)	• BLOCK,TERMINAL 13 POSITION
- 26B	2517839	(REF)	• CAPACITOR, 1000UF-8VDC
- 27	5371632	(1)	• INSULATOR,TERMINAL BLOCK- 13 POS
- 28	811422	(4)	• SCREW,HEX H- 8-32 X 0.625 LG

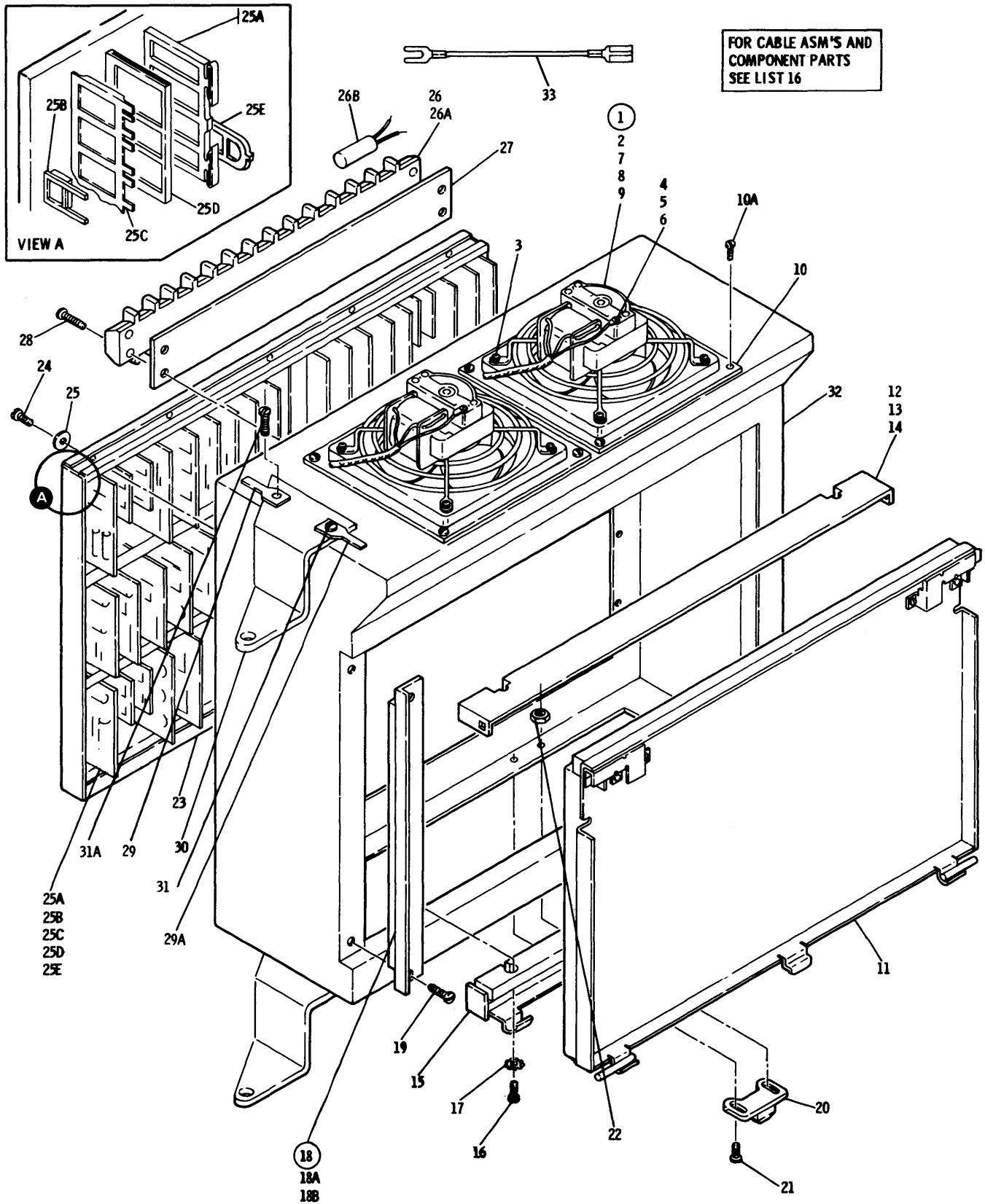


FIGURE 5. GATE ASSEMBLY. SEE LIST 5.



LIST AND INDEX	PART NUMBER	QTY.	DESCRIPTION
- 29	2102367	(1)	• CLAMP, CABLE
- 29A	532393	(1)	• CLAMP-ADJUSTABLE CABLE
- 30	2517682	(2)	• HINGE, TCU GATE
- 31	32042	(3)	• SCREW, MACH BIND. HD 10-32 X 3/8 LG.
- 31A	332620	(1)	• SCREW, MACH BIND HD 10-32 X 7/16 LG.
- 32	2517681	(NP)	• GATE, TCU
- 33	2522135	(AR)	• JUMPER, 13 INCH
- 33	2522134	(AR)	• JUMPER, 68 INCH

END OF LIST 5.

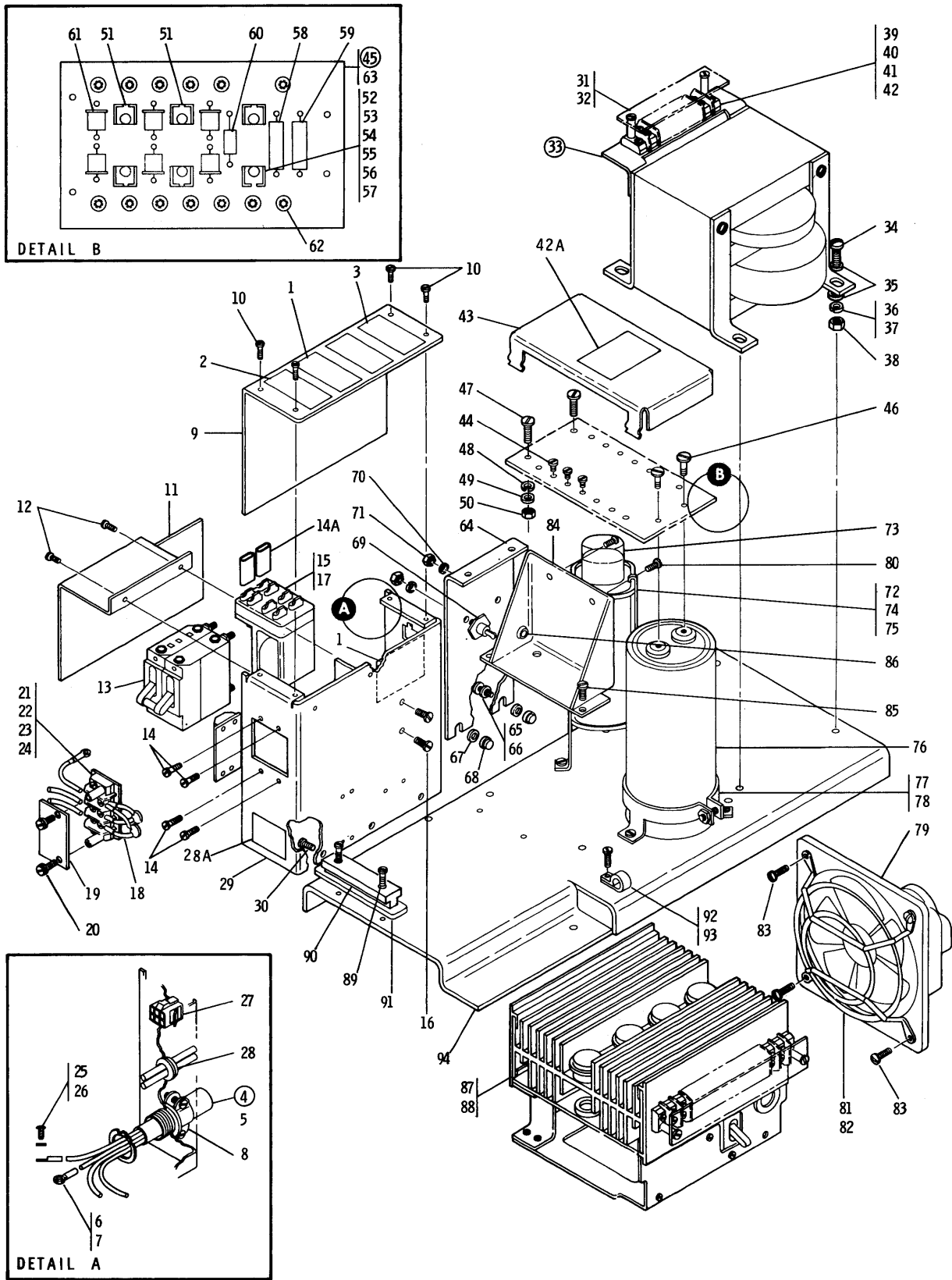


FIGURE 5A. POWER SUPPLY ASSEMBLY. 3410-MODEL 1 WITH RPQ 870080 60HZ. SEE LIST 5A.

LIST AND INDEX	PART NUMBER	QTY.	DESCRIPTION
			POWER SUPPLY ASSEMBLY 3410-M1/RPQ 870080 60HZ
5A -	1766300	(REF)	SUPPLY ASSEMBLY,POWER 3410-M1 USED ON 3410 MODEL 1 ONLY FOR NEXT HIGHER ASM SEE LIST 3A-9 FOR ILLUSTRATION SEE FIGURE 5A
- 1	138755	(2)	• DECAL
- 2	369207	(1)	• DECAL
- 3	845762	(3)	• DECAL
- 4	1766305	(AR)	• CORD ASM, 14FT POWER
- 4	1766334	(AR)	• CORD ASM, 6 FT POWER
- 5	647487	(1)	• • PLUG, POWER CORD
- 6	483682	(3)	• • TERMINAL, PLUG
- 7	483679	(4)	• • TERMINAL, CABLE
- 8	171092	(1)	• STRAIN RELIEF
- 9	1766329	(1)	• COVER
- 10	221790	(4)	• SCREW
- 11	1766346	(1)	• SHIELD
- 12	55726	(2)	• SCREW
- 13	725002	(1)	• CIRCUIT BREAKER
- 14	55726	(4)	• SCREW
- 14A	483677	(2)	• TERMINAL
- 15	2512157	(1)	• RELAY
- 16	221790	(2)	• SCREW
- 17	2111232	(1)	• DIODE
- 18	533451	(2)	• CAPACITOR
- 19	352827	(1)	• SHIELD
- 20	10170	(2)	• SCREW
- 21	323841	(1)	• TERMINAL BLOCK
- 22	323681	(1)	• MARKER STRIP
- 23	210883	(1)	• STUD, MTG
- 24	210884	(AR)	• STUD, MTG
- 25	55726	(2)	• SCREW
- 26	56722	(2)	• LOCKWASHER
- 27	609686	(1)	• CONNECTOR
- 28	53193	(1)	• GROMMET
- 28A	474806	(1)	• LABEL
- 29	1766309	(1)	• AC COMPARTMENT
- 30	236849	(3)	• SCREW
- 31	350966	(1)	• SHIELD
- 32	10170	(2)	• SCREW
- 33	1766304	(1)	• TRANSFORMER ASM
- 34	55918	(4)	• SCREW
- 35	45690	(8)	• WASHER
- 36	56079	(1)	• LOCKWASHER
- 37	9092	(4)	• LOCKWASHER
- 38	11598	(4)	• NUT
- 39	317485	(1)	• • TERMINAL BLOCK
- 40	527916	(1)	• • MARKER STRIP
- 41	210883	(1)	• • STUD
- 42	210884	(1)	• • STUD
- 42A	2542403	(1)	• LABEL
- 43	1766318	(1)	• COVER
- 44	55726	(13)	• SCREW
- 45	1766306	(1)	• CIRCUIT BOARD ASM
- 46	332620	(2)	• SCREW
- 47	34512	(2)	• SCREW
- 48	1090873	(2)	• LOCKWASHER
- 49	22478	(2)	• WASHER
- 50	257189	(1)	• NUT
- 51	107668	(2)	• • FUSE POSITION F1 AND F2
- 52	107666	(1)	• • FUSE POSITION F3
- 53	322585	(6)	• • CLIP, FUSE
- 54	38235	(6)	• • SCREW
- 55	257986	(6)	• • WASHER

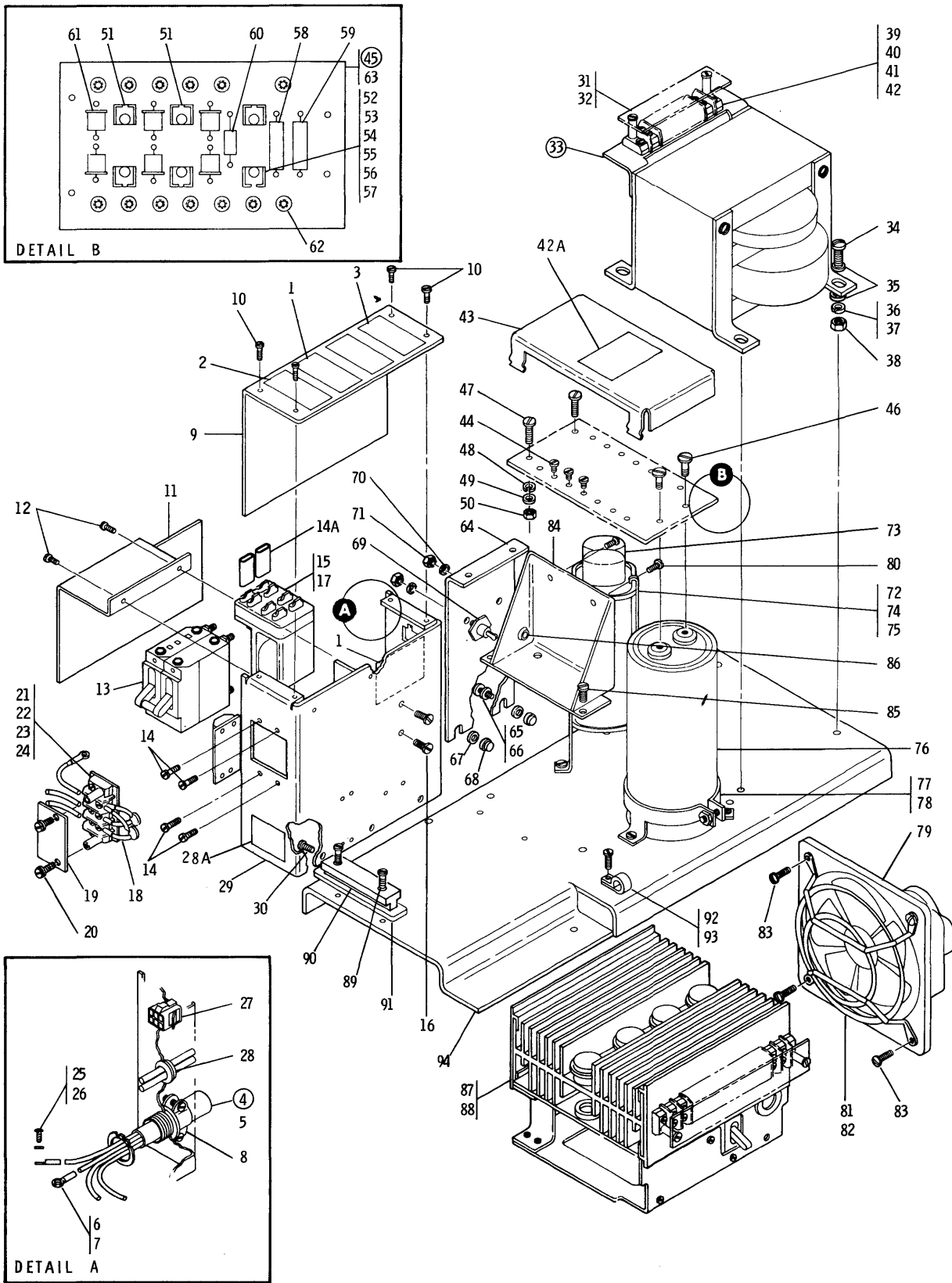


FIGURE 5A. POWER SUPPLY ASSEMBLY. 3410-MODEL 1 WITH RPQ 870080 60HZ. SEE LIST 5A.

LIST AND INDEX	PART NUMBER	QTY.	DESCRIPTION
- 56	6364	(6)	• • LOCKWASHER
- 57	257187	(6)	• • NUT
- 58	207324	(1)	• • RESISTOR POSITION R1
- 59	528937	(1)	• • RESISTOR POSITION R2
- 60	222097	(1)	• • CAPACITOR POSITION C7
- 61	5252534	(6)	• • DIODE POSITIONS 3 THRU 8
- 62	5130498	(13)	• • BUSHING, 6-32 THD
- 63	1766307	(NP)	• • CARD
- 64	1766340	(1)	• HEATSINK
- 65	322551	(2)	• SCREW
- 66	56722	(2)	• LOCKWASHER
- 67	22478	(2)	• WASHER
- 68	5888394	(2)	• BUSHING
- 69	598479	(2)	• DIODE
- 70	56121	(2)	• WASHER
- 71	11598	(2)	• NUT
- 72	5252841	(1)	• CAPACITOR
- 73	526378	(2)	• CAP, CAPACITOR
- 74	730273	(2)	• BRACKET
- 75	322065	(2)	• SCREW
- 76	2524792	(1)	• CAPACITOR
- 77	5261284	(1)	• CLAMP, CAPACITOR
- 78	10170	(3)	• SCREW
- 79	5357090	(1)	• FAN
- 80	322620	(2)	• SCREW
- 81	2518266	(1)	• GUARD
- 82	2172166	(1)	• GUARD
- 83	81693	(4)	• SCREW
- 84	1766347	(1)	• BRACKET
- 85	32042	(4)	• SCREW
- 86	53193	(1)	• GROMMET
- 87	375202	(REF)	• CARD, REGULATOR
- 88	5761710	(1)	• REGULATOR ASM, 6V/16 AMP SEE LIST 5B FOR DETAIL BREAKDOWN
- 89	55918	(4)	• SCREW
- 90	2193933	(2)	• RAIL
- 91	1766345	(2)	• SPACER
- 92	603696	(1)	• CLAMP
- 93	32042	(1)	• SCREW
- 94	1766308	(NP)	• CHASSIS

END OF LIST 5A.

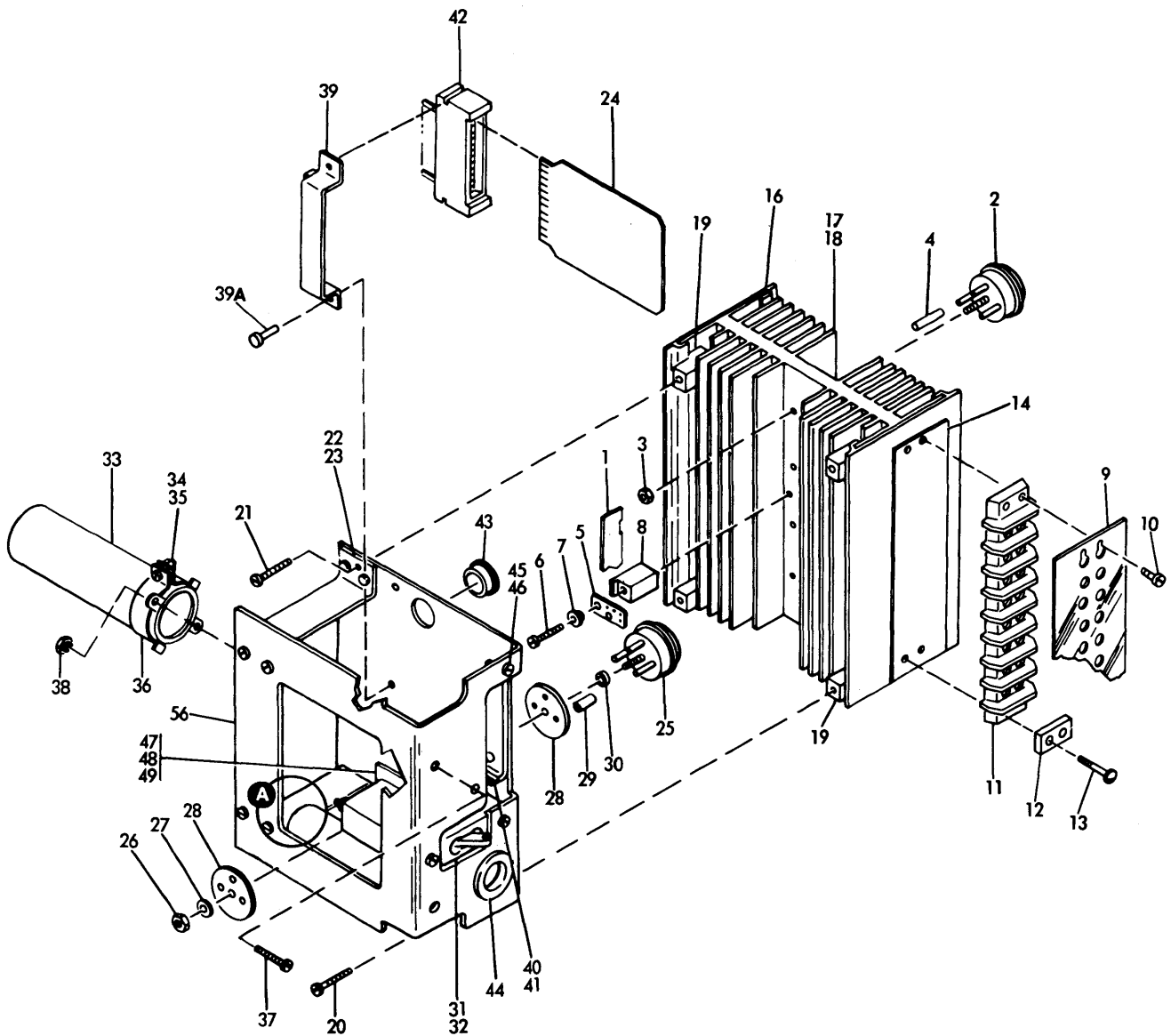
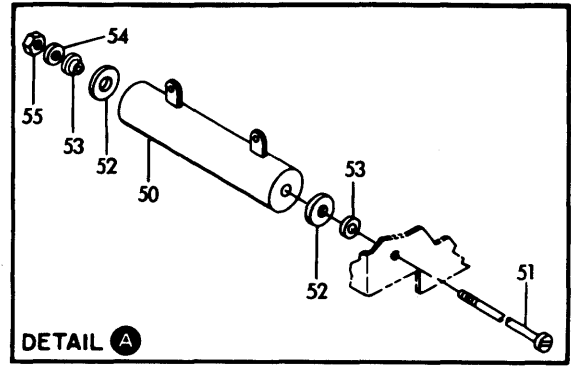


FIGURE 5B. REGULATOR ASSEMBLY, 6V/16 AMP. SEE LIST 5B.

LIST AND INDEX	PART NUMBER	QTY.	DESCRIPTION
			REGULATOR ASSEMBLY, 6V/16 AMPS
5B -	5761710	(REF)	REGULATOR ASSEMBLY, 6V/16 AMPS FOR NEXT HIGHER ASM SEE LIST 5A-88 FOR ILLUSTRATION SEE FIGURE 5B
- 1	5762045	(1)	• BUS STRIP
- 2	369214	(4)	• TRANSISTOR, TYPE 108
- 3	11598	(4)	• NUT, HEX STEEL 10-32 X .375 FL W
- 4	5761976	(8)	• TUBING
- 5	5762037	(1)	• TERMINAL
- 6	5762058	(1)	• SCREW, HEX HD 6-32 X 1.125 LG
- 7	1134232	(1)	• WASHER
- 8	5762036	(1)	• STANDOFF
- 9	352088	(1)	• SHIELD, 9 POSITION
- 10	81693	(1)	• SCREW, BIND HD 6-32 X .375 LG
- 11	323844	(1)	• BLOCK, TERMINAL-9 POSITION
- 12	2572866	(2)	• SPACER
- 13	2032	(2)	• SCREW, FIL HD 8-32 X .875 LG
- 14	730439	(1)	• MARKER STRIP, 9 POSITION
- 16	5762025	(2)	• SEAL, AIR
- 17	5762015	(1)	• HEATSINK, 4 TRANSISTOR MTG
- 18	255629	(4)	• SCREW, FLAT HD SELF TAP 6-32 X .500 LG
- 19	5762034	(4)	• INSULATOR, HEATSINK
- 20	91610	(2)	• SCREW, PAN HD SELF TAP 6-32 X .500 LG
- 21	80652	(2)	• SCREW, PAN HD SELF TAP 6-32 X .625 LG
- 22	5762033	(2)	• BRACKET
- 23	186759	(4)	• SCREW, BIND HD 8-32 X .312 LG
- 24	375202	(1)	• CARD, REGULATOR
- 25	369214	(1)	• TRANSISTOR, TYPE 108
- 26	11598	(1)	• NUT, HEX STEEL 10-32 X .375 FL W
- 27	45690	(1)	• NUT, PLAIN .203 ID X .438 OD X .032 THK
- 28	5762406	(2)	• INSULATOR
- 29	5761976	(2)	• TUBING
- 30	2611723	(2)	• INSULATOR
- 31	5214552	(1)	• PROTECTOR, CIRCUIT DOMESTIC USE ONLY
- 31	4116995	(1)	• PROTECTOR, CIRCUIT WTC USE ONLY
- 32	38235	(2)	• SCREW, BIND HD 6-32 X .312 LG
- 33	730428	(1)	• CAPACITOR, FXD ELECT 8K MFD 15VDCW
- 34	510379	(1)	• SCREW, FIL HD 6-32 X .750 LG
- 35	5761943	(1)	• NUT, HEX 10-32
- 36	301768	(1)	• CLAMP
- 37	38235	(1)	• SCREW, BIND HD 6-32 X .312 LG
- 38	5761943	(2)	• NUT, HEX 10-32
- 39	5761904	(1)	• BRACKET
- 39A	5761907	(2)	• RIVET
- 40	5712309	(1)	• GUIDE
- 41	5761907	(AR)	• RIVET
- 42	216076	(1)	• RECEPTACLE, SINGLE CARD
- 43	5762057	(AR)	• GROMMET, SNAP BUSHING
- 44	5761936	(AR)	• GROMMET
- 45	236849	(1)	• SCREW, BIND HD 10-32 X .250 LG
- 46	56079	(1)	• LOCKWASHER, EXT TOOTH .195 ID X .410 OD
- 47	5762474	(1)	• CARD, OVERVOLTAGE
- 48	438550	(2)	• SCREW, BIND HD 4-40 X .500 LG
- 49	332779	(2)	• SPACER
- 50	730427	(1)	• RESISTOR
- 51	331982	(AR)	• SCREW, 8-32 X 4.500 LG
- 52	5761935	(AR)	• WASHER
- 53	510468	(AR)	• WASHER, CUP
- 54	22478	(AR)	• WASHER, PLN .170ID x .375OD x .032 THK
- 55	600960	(AR)	• NUT, LOCK 8-32
- 56	5762005	(NP)	• CHASSIS

END OF LIST 5B.

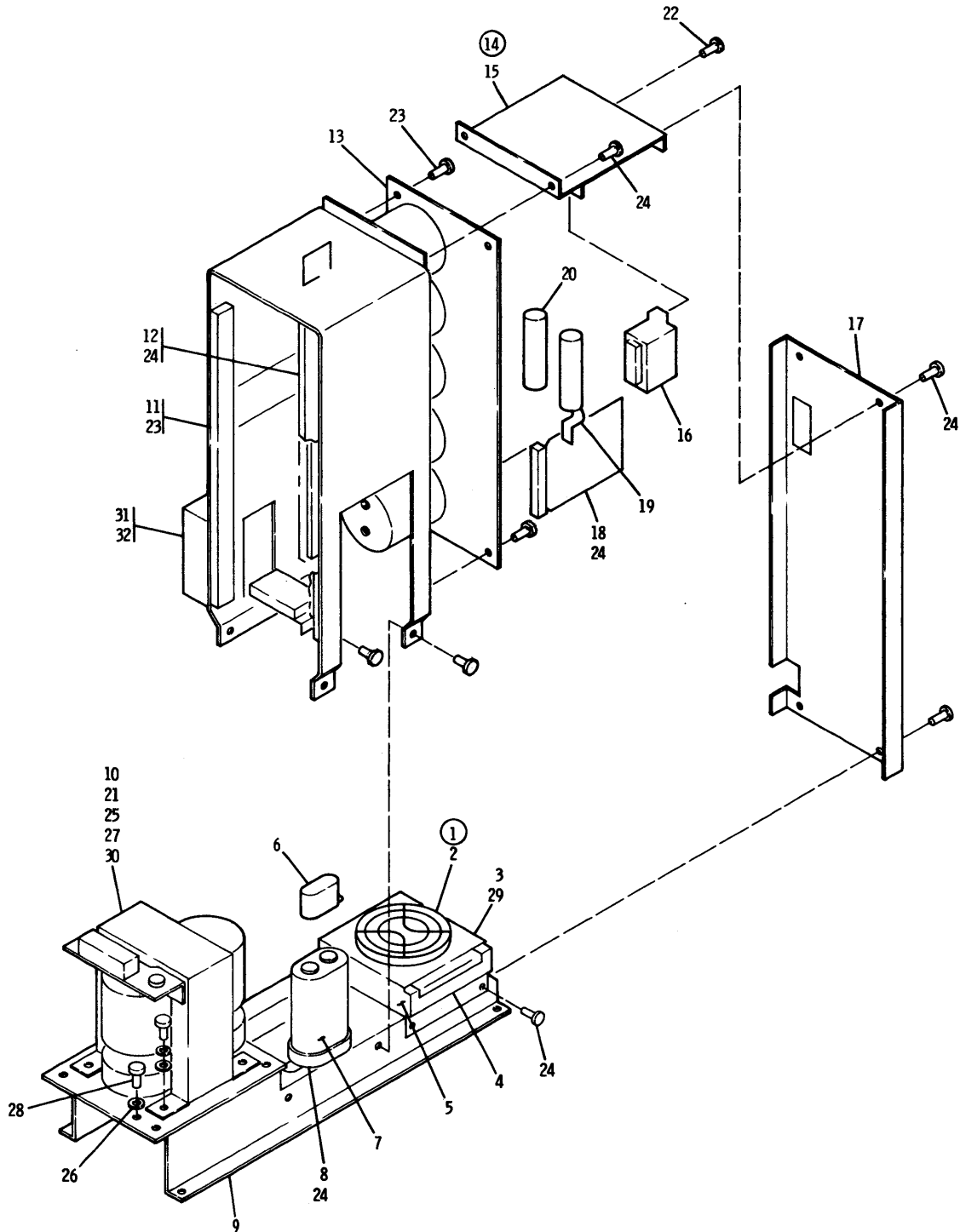


FIGURE 5C. BULK 1 POWER SUPPLY ASSEMBLY. SEE LIST 5C.



LIST AND INDEX	PART NUMBER	QTY.	DESCRIPTION
----------------	-------------	------	-------------

## BULK 1 POWER SUPPLY ASSEMBLY

LIST AND INDEX	PART NUMBER	QTY.	DESCRIPTION
5C -	2448640	(REF)	• POWER SUPPLY ASM,BULK 1 FOR NEXT HIGHER ASM SEE LIST 3B-INDEX 9 FOR ILLUSTRATION SEE FIGURE 5C
- 1	2448683	(1)	• FAN ASM,50HZ
- 2	2448681	(1)	• • BRACKET
- 3	2172166	(1)	• • GUARD,FAN
- 4	2448682	(1)	• • BRACKET
- 5	5313850	(1)	• • FAN,50HZ
- 6	363001	(1)	• BOOT,CAPACITOR
- 7	5252571	(1)	• CAPACITOR,50HZ
- 8	5404092	(1)	• BRACKET
- 9	2448637	(1)	• BRACKET
- 10	4119384	(1)	• TRANSFORMER,50HZ
- 11	2448373	(1)	• BRACKET
- 12	2448371	(1)	• BRACKET
- 13	2448646	(1)	• BOARD ASSEMBLY
- 14	2448686	(1)	• CB ASSEMBLY
- 15	2448685	(1)	• • BRACKET
- 16	5214553	(1)	• • BREAKER,CIRCUIT
- 17	2448639	(1)	• COVER
- 18	5863578	(1)	• CARD ASM,SLT
- 19	2102203	(4)	• BRACKET
- 20	2448651	(2)	• RESISTOR,R14 & R15
- 21	9092	(4)	• WASHER,LOCK .194 ID X .337 OD
- 22	10170	(1)	• SCREW BIND HD 6-32 X .250 LG
- 23	32042	(4)	• SCREW,BIND HD 10-32 X .375 LG
- 24	34512	(2)	• SCREW,BIND HD 8-32 X .375 LG
- 25	45690	(4)	• WASHER,FLAT .203 ID X .437 OD
- 26	55901	(5)	• WASHER,LOCK EXT TH .168 ID X .381 OD
- 27	56079	(4)	• WASHER,LOCK EXT TH .195 ID X .410 OD
- 28	58207	(1)	• SCREW,BIND HD 8-32 X .250 LG
- 29	322065	(4)	• SCREW,BIND HD 6-32 X .625 LG
- 30	332620	(4)	• SCREW,BIND HD 10-32 X .500 LG
- 31	5878703	(1)	• SUPPLY ASM,AC POWER FOR DETAIL BREAKDOWN SEE LIST 5D
- 32	236849	(3)	• SCREW,BIND HD 10-32 X .250 LG

END OF LIST 5C. (NO E/C)

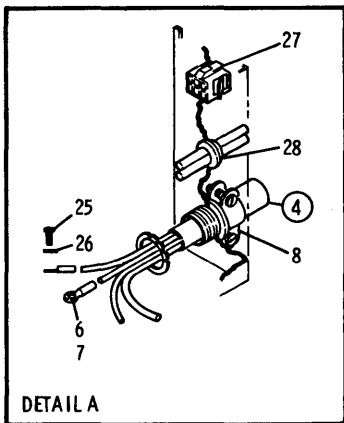
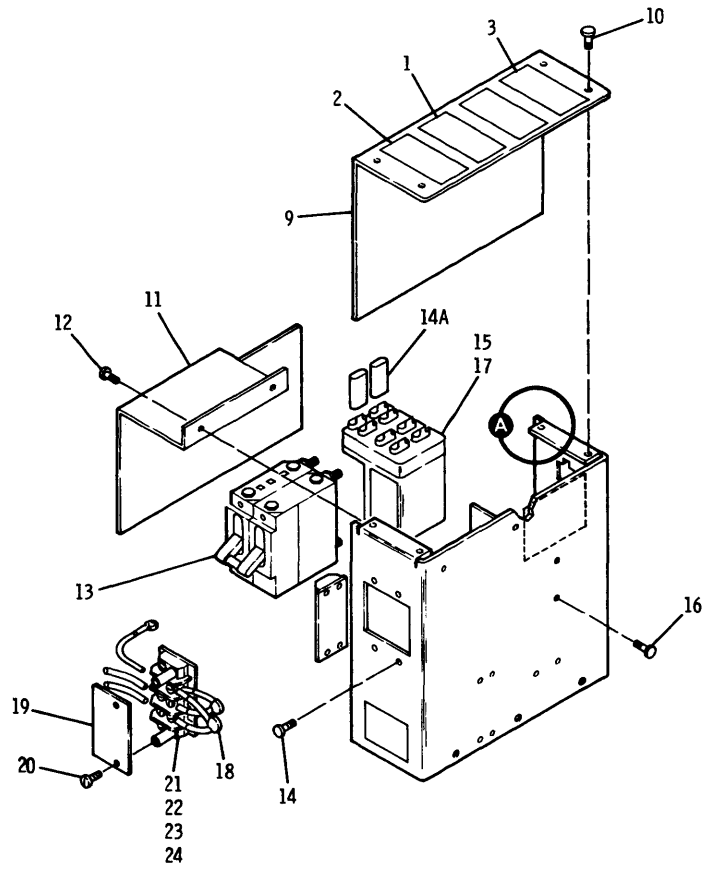


FIGURE 5D. AC POWER SUPPLY ASSEMBLY. SEE LIST 5D.

LIST AND INDEX	PART NUMBER	QTY.	DESCRIPTION
----------------	-------------	------	-------------

## AC POWER SUPPLY ASSEMBLY

5D -	5878703	(REF)	SUPPLY ASM,AC POWER FOR NEXT HIGHER ASM SEE LIST 5C-31 FOR ILLUSTRATION SEE FIGURE 5D
- 1	138755	(2)	• DECAL
- 2	369207	(1)	• DECAL
- 3	845762	(3)	• DECAL
- 4	1766009	(AR)	• CORD ASM,POWER
- 6	483682	(3)	• • TERMINAL PLUG
- 7	483679	(4)	• • TERMINAL,CABLE
- 8	171092	(1)	• RELIEF,STRAIN
- 9	1766329	(1)	• COVER
- 10	221790	(4)	• SCREW,BIND HD 8-32 X .187 LG
- 11	1766346	(1)	• SHIELD
- 12	55726	(2)	• SCREW,BIND HD 6-32 X .188 LG
- 13	610657	(1)	• BREAKER,CIRCUIT
- 14	55726	(4)	• SCREW,BIND HD 6-32 X .188 LG
- 14A	483677	(2)	• TERMINAL
- 15	2512157	(1)	• RELAY
- 16	221790	(2)	• SCREW BIND HD 8-32 X .187 LG
- 17	2111232	(1)	• DIODE
- 18	533451	(2)	• CAPACITOR
- 19	352827	(1)	• SHIELD
- 20	10170	(2)	• SCREW BIND HD 6-32 X .250 LG
- 21	323841	(1)	• BLOCK,TERMINAL
- 22	323681	(1)	• STRIP,MARKER
- 23	210883	(1)	• STUD,TERMINAL BLOCK
- 24	210884	(1)	• STUD,TERMINAL BLOCK
- 25	55726	(2)	• SCREW,BIND HD 6-32 X .188 LG
- 26	56722	(2)	• WASHER,LOCK EXT TH .141 ID X .320 OD
- 27	609686	(1)	• CONNECTOR
- 28	53193	(1)	• GROMMET
- 29	1766309	(NP)	• CHASSIS,AC POWER

END OF LIST 5D.

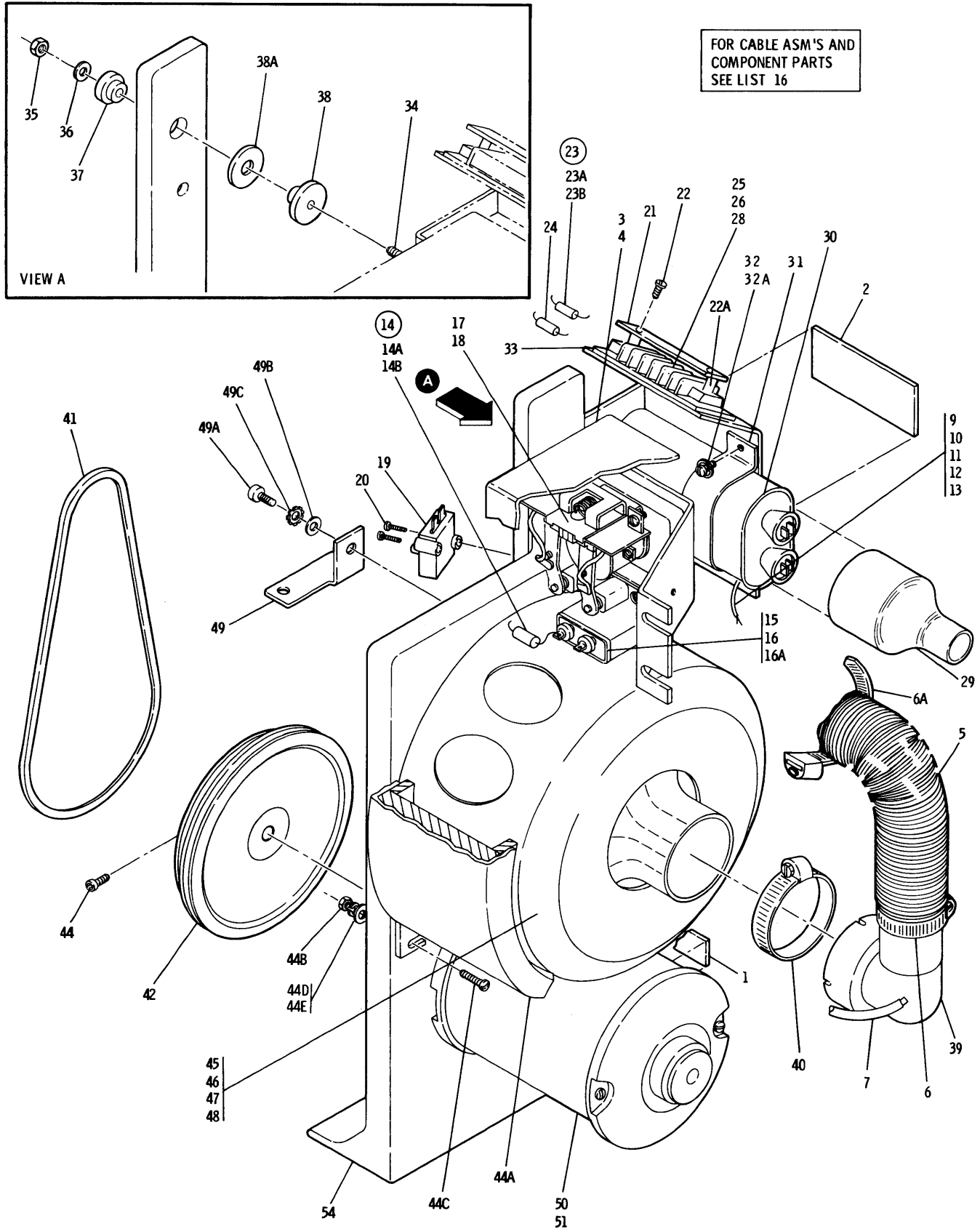


FIGURE 6. PNEUMATIC SUPPLY ASSEMBLIES. SEE LIST 6.

LIST AND INDEX	PART NUMBER	QTY.	DESCRIPTION
PNEUMATIC SUPPLY ASSEMBLIES			
6 -	2517788	(REF)	SUPPLY ASSEMBLY, PNEUMATIC USED ON 60HZ, MODELS 1, 2 AND 3
-	2517789	(REF)	SUPPLY ASSEMBLY, PNEUMATIC USED ON 50HZ, MODELS 1, 2, AND 3 FOR NEXT HIGHER ASM SEE LISTS 2-74, 3-81 FOR ILLUSTRATION SEE FIG. 6
- 1	2512194	(1)	• DECAL, PNEUMATIC SUPPLY
- 2	369207	(1)	• LABEL, VOLTAGE
- 3	2517785	(1)	• COVER, RELAY
- 4	5350006	(2)	• SCREW
- 5	5357178	(1)	• HOSE, FLEXIBLE VINYL, 1.250 ID, 1.500 OD
- 6	594237	(2)	• CLAMP, HOSE
- 6A	1145574	(AR)	• CLAMP, HOSE TIE
- 7	2512744	(1)	• TUBING, PNEUMATIC 1/8 ID 3/16 OD X 11 LG
- 9	740506	(1)	• JUMPER
- 10	5350012	(1)	• SCREW, THD FORMING HEX WSR HD 8-32 X .25
- 11	5528	(1)	• SCREW, MACH BIND HD 8-32 X .625 LG
- 12	257189	(1)	• NUT, HEX 8-32
- 13	55901	(1)	• LOCKWASHER, EXTERNAL TOOTH
- 14	2518244	(1)	• RESISTOR ASM, 22 OHM
- 14A	317002	(1)	• • RESISTOR
- 14B	92784	(1)	• • TERMINAL, LUG INS 18-20AWG NO. 8 MTG HOLE
- 15	5252847	(AR)	• CAPACITOR, .25MFD P/M 10% 100VAC
- 16	5350006	(2)	• SCREW, HEX HEAD, 6-32 X .250 LG
- 16A	363001	(1)	• INSULATOR
- 17	589091	(1)	• RELAY, ARMATURE-DPST 230V AC 6.5 AMP
- 18	2181002	(2)	• SCREW, HEX H- 8-32 X 0.625 LG
- 19	2517780	(1)	• SWITCH, PRESSURE
- 20	438551	(2)	• SCREW, MACH-BIND HD 4-40 X 5/8 LG
- 21	187479	(1)	• SHIELD, TERMINAL BLOCK USED ON DOMESTIC MACHINES ONLY
- 21	8112647	(1)	• SHIELD, TERMINAL BLOCK USED ON WTC MACHINES ONLY
- 22	38350	(2)	• SCREW
- 22A	210883	(2)	• STUD-SHIELD MTG, TAPPED, NO. 6-32
- 23	2518245	(1)	• RESISTOR ASM, 16 OHM POS 4-5
- 23A	132767	(1)	• • RESISTOR
- 23B	255994	(2)	• • TERMINAL
- 24	599917	(1)	• DIODE AND LUG TERMINAL POS 4-6
- 25	317232	(1)	• TERMINAL BOARD- 6 DBL SCREW TERMINALS
- 26	589715	(1)	• STRIP-MARKER
- 28	81693	(2)	• SCREW, MACH-BIND HD 6-32 X 3/8 LG
- 29	1703062	(1)	• BOOT, INSULATING
- 30	5252826	(AR)	• CAPACITOR, 8MFD P/M 10% 370VAC ORDER INSULATING BOOT INDEX 29 WHEN REPLACING CAPACITOR
- 31	2518223	(1)	• BRACKET
- 32	5319854	(2)	• SCREW, SELF TAPPING, 8-32 X .375 LONG
- 32A	22478	(2)	• WASHER, FL .170ID x .375OD x .032THK
- 33	2517808	(1)	• BRACKET, COMPONENT MTG.
- 34	19852	(2)	• SCREW, MACH-HEX HD 1/4-20 X 1 1/4 LG
- 35	117281	(1)	• NUT-STOP, 1/4-20
- 36	139050	(1)	• WASHER, FL- 0.250 X 9/16 OD X .062 THK
- 37	2515541	(1)	• BUSHING
- 38	2518304	(1)	• BUSHING
- 38A	2518303	(1)	• RING
- 39	2517805	(1)	• ELBOW, REDUCER
- 40	320839	(AR)	• CLAMP HOSE, 1.78 ID DOMESTIC USE ONLY
- 40	2096586	(AR)	• CLAMP, HOSE WTC USE ONLY
- 41	2517804	(1)	• BELT V, PNEUMATIC 60HZ

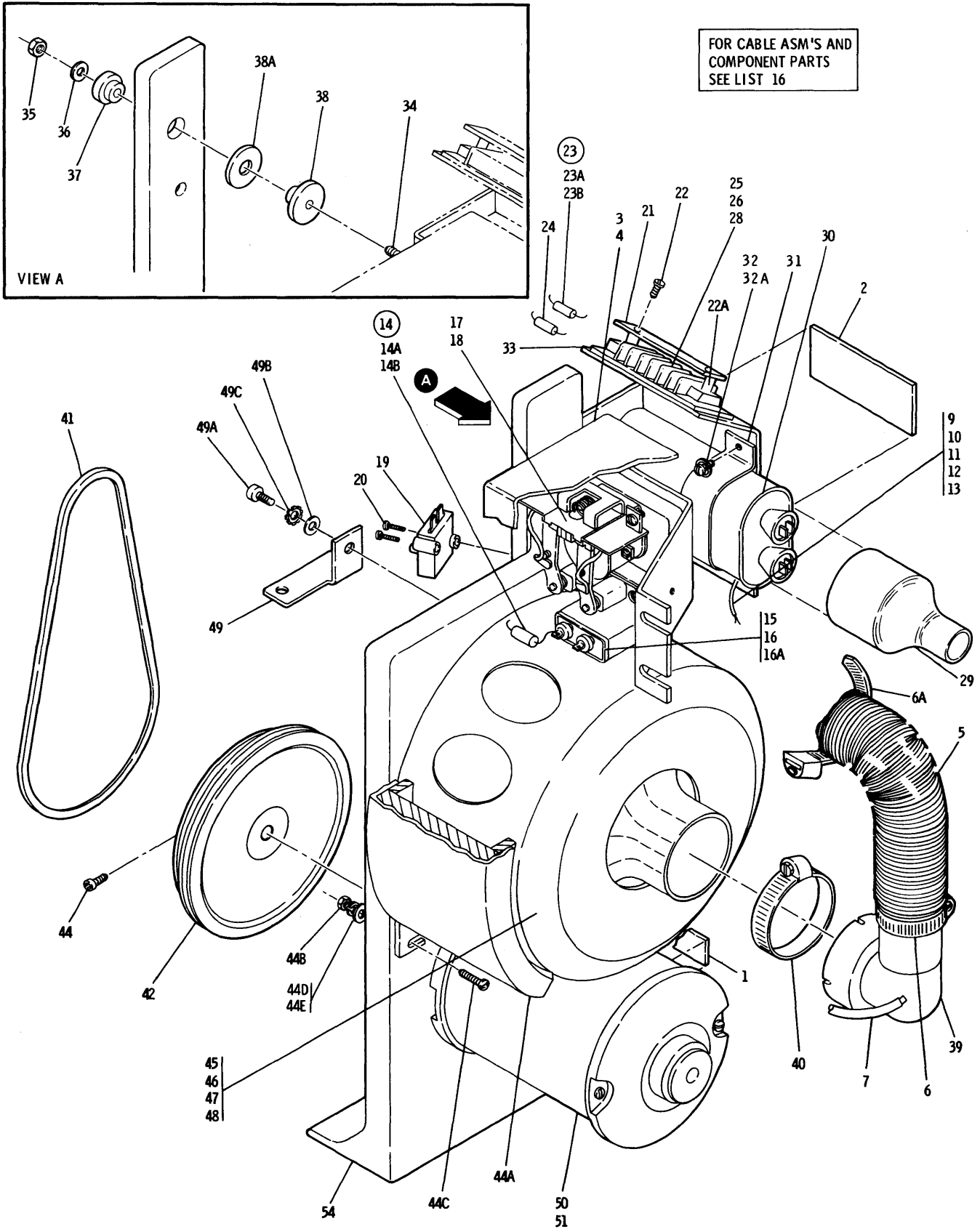
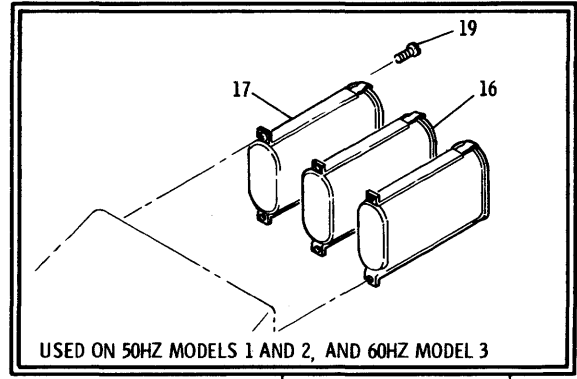
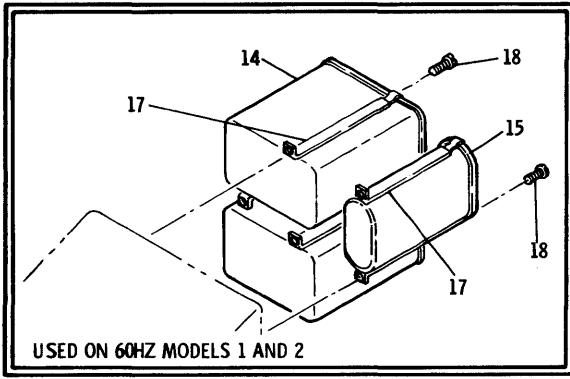


FIGURE 6. PNEUMATIC SUPPLY ASSEMBLIES. SEE LIST 6.

LIST AND INDEX	PART NUMBER	QTY.	DESCRIPTION
- 41	2517858	(1)	USED ON 60HZ MODELS ONLY • BELT V, PNEUMATIC 50HZ
- 42	2517807	(1)	USED ON 50HZ MODELS ONLY • PULLEY, DOUBLE 60HZ
- 42	2517760	(1)	USED ON 60HZ MODELS ONLY • PULLEY, DOUBLE 50HZ
- 44	186928	(2)	USED ON 50HZ MODELS ONLY • SCREW,CAP,SOC HD- 6-32 X 5/8 LG
- 44A	2518270	(1)	• BAFFLE
- 44B	11598	(2)	• NUT, PLAIN HEX 10/32
- 44C	55918	(2)	• SCREW,MACH-BIND HD 10-32 X 5/8 LG
- 44D	56079	(3)	• WASHER, LOCK-EXT TH .195 ID X .410 OD
- 44E	120789	(3)	• WASHER, FLAT- .193 ID X .750 OD X .046 TH
- 45	2522879	(1)	• BLOWER, VACUUM COLUMN
- 46	186935	(3)	• SCREW,CAP,SOC HD- 1/4-20 X 7/8 LG
- 47	139050	(3)	• WASHER,FL- 1/4 X 9/16 OD X 0.062 THK
- 48	6935	(3)	• WASHER,LOCK-SPLIT 1/4 X 0.493 OD
- 49	2518417	(1)	• BRACKET
- 49A	186935	(1)	• SCREW,CAP,SOC HD- 1/4-20 X 7/8 LG
- 49B	3550	(1)	• WASHER,FL- 1/4 X 9/16 OD X 0.050 THK
- 49C	6935	(1)	• WASHER,LOCK-SPLIT 1/4 X 0.493 OD
- 50	2517786	(1)	• MOTOR, PNEUMATIC 60HZ MODELS ONLY
- 50	2517787	(1)	• MOTOR, PNEUMATIC 50HZ MODELS ONLY ORDER INSULATING BOOT INDEX 29 WHEN REPLACING MOTOR
- 51	25627	(4)	• SCREW
- 54	2517809	(NP)	• CASTING, PNEUMATIC SUPPLY

END OF LIST 6.



FOR CABLE ASM'S AND  
COMPONENT PARTS  
SEE LIST 16

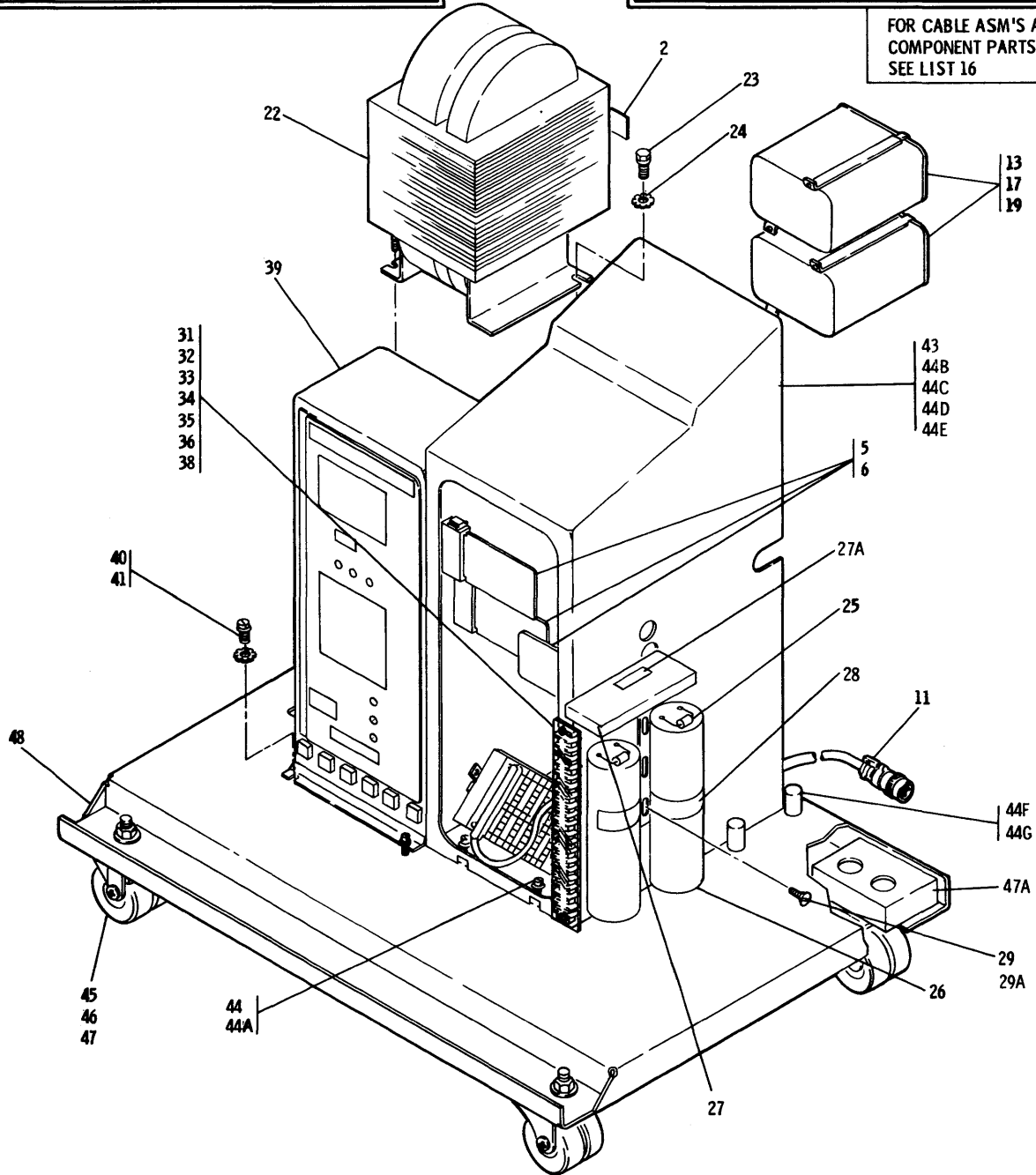
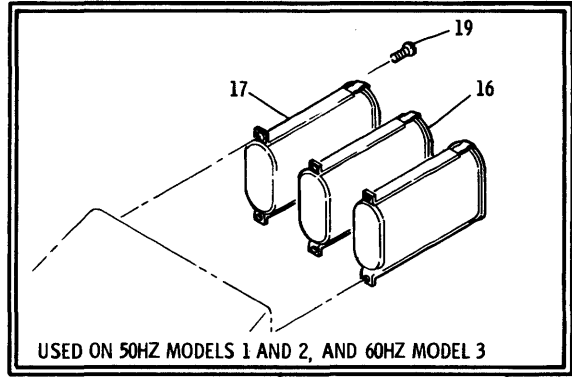
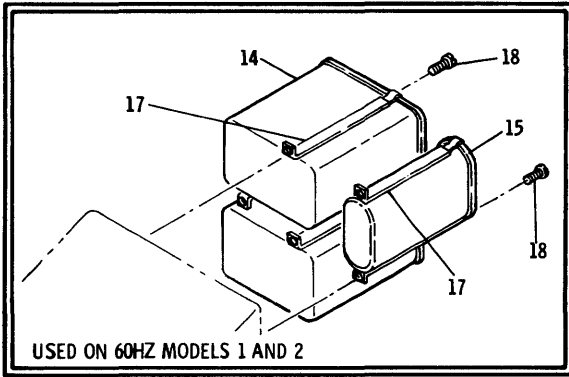


FIGURE 7. 3411 POWER SUPPLY-FINAL ASSEMBLY. SEE LIST 7.



LIST AND INDEX	PART NUMBER	QTY.	DESCRIPTION
3411 POWER SUPPLY - FINAL ASSEMBLIES			
7 -	2524755	(NR)	POWER SUPPLY FINAL ASSEMBLY, 60HZ USED ON 3411, MODEL 1, SYS 3, 3790
-	2524775	(NR)	POWER SUPPLY FINAL ASSEMBLY, 60HZ USED ON 3411, MODEL 2, SYS 3
-	2524795	(NR)	POWER SUPPLY FINAL ASSEMBLY, 60HZ USED ON 3411, MODEL 3, SYS 3
-	2524765	(NR)	POWER SUPPLY FINAL ASSEMBLY, 60HZ USED ON 3411, MODEL 1, SYS 360/370
-	2524785	(NR)	POWER SUPPLY FINAL ASSEMBLY, 60HZ USED ON 3411, MODEL 2, SYS 360/370
-	2524796	(NR)	POWER SUPPLY FINAL ASSEMBLY, 60HZ USED ON 3411, MODEL 3, SYS 360/370
-	2524872	(NR)	POWER SUPPLY FINAL ASSEMBLY, 60HZ USED ON 3411, MODEL 1, SYSTEM 125
-	2524873	(NR)	POWER SUPPLY FINAL ASSEMBLY, 60HZ USED ON 3411, MODEL 2, SYSTEM 125
-	2524874	(NR)	POWER SUPPLY FINAL ASSEMBLY, 60HZ USED ON 3411, MODEL 3, SYSTEM 125
-	2524855	(NR)	POWER SUPPLY FINAL ASSEMBLY, 50HZ USED ON 3411, MODEL 1, SYS 3, 3790
-	2524875	(NR)	POWER SUPPLY FINAL ASSEMBLY, 50HZ USED ON 3411, MODEL 2, SYS 3
-	2524895	(NR)	POWER SUPPLY FINAL ASSEMBLY, 50HZ USED ON 3411, MODEL 3, SYS 3
-	2524865	(NR)	POWER SUPPLY FINAL ASSEMBLY, 50HZ USED ON 3411, MODEL 1, SYS 360/370
-	2524885	(NR)	POWER SUPPLY FINAL ASSEMBLY, 50HZ USED ON 3411, MODEL 2, SYS 360/370
-	2524896	(NR)	POWER SUPPLY FINAL ASSEMBLY, 50HZ USED ON 3411, MODEL 3, SYS 360/370
-	2524876	(NR)	POWER SUPPLY FINAL ASSEMBLY, 50HZ USED ON 3411, MODEL 1, SYSTEM 125
-	2524877	(NR)	POWER SUPPLY FINAL ASSEMBLY, 50HZ USED ON 3411, MODEL 2, SYSTEM 125
-	2524878	(NR)	POWER SUPPLY FINAL ASSEMBLY, 50HZ USED ON 3411 MODEL 3, SYSTEM 125 FOR NEXT HIGHER ASM SEE LIST 2-60A FOR ILLUSTRATION SEE FIG. 7
- 2	1141554	(1)	• LABEL,HIGH TEMPERATURE WARNING
- 5	375455	(3)	• CARD, REGULATOR 6V SEE INDIVIDUAL ALD PAGES FOR COMPONENT PARTS
- 6	2524757	(3)	• RETAINER, CARD
- 11	1766030	(AR)	• CORD, 6 FT POWER, DOMESTIC FOR COMPONENTS SEE LIST 16
- 11	1766008	(AR)	• CORD, 14 FT POWER, DOMESTIC FOR COMPONENTS SEE LIST 16
- 11	1766009	(AR)	• CORD, 14 FT POWER, UK USED ON MODEL 1 FOR COMPONENTS SEE LIST 16
- 11	1766010	(AR)	• CORD, 14 FT POWER, WTC USED ON MODELS 2 AND 3 FOR COMPONENTS SEE LIST 16
- 11	1766031	(AR)	• CORD, 15 FT POWER, WTC FOR COMPONENTS SEE LIST 16
- 11	1766011	(AR)	• CORD, 14 FT POWER, UK USED ON MODELS 2 AND 3 FOR COMPONENTS SEE LIST 16
- 11	1766029	(AR)	• CORD, 14 FT POWER, JAPAN USED ON MODELS 2 AND 3 FOR COMPONENTS SEE LIST 16
- 13	5252846	(2)	• CAPACITOR, PAPER, 20UF 660VAC ORDER INSULATING BOOT INDEX 14A WHEN REPLACING CAPACITOR USED ON 50HZ MODELS 3



FOR CABLE ASM'S AND  
COMPONENT PARTS  
SEE LIST 16

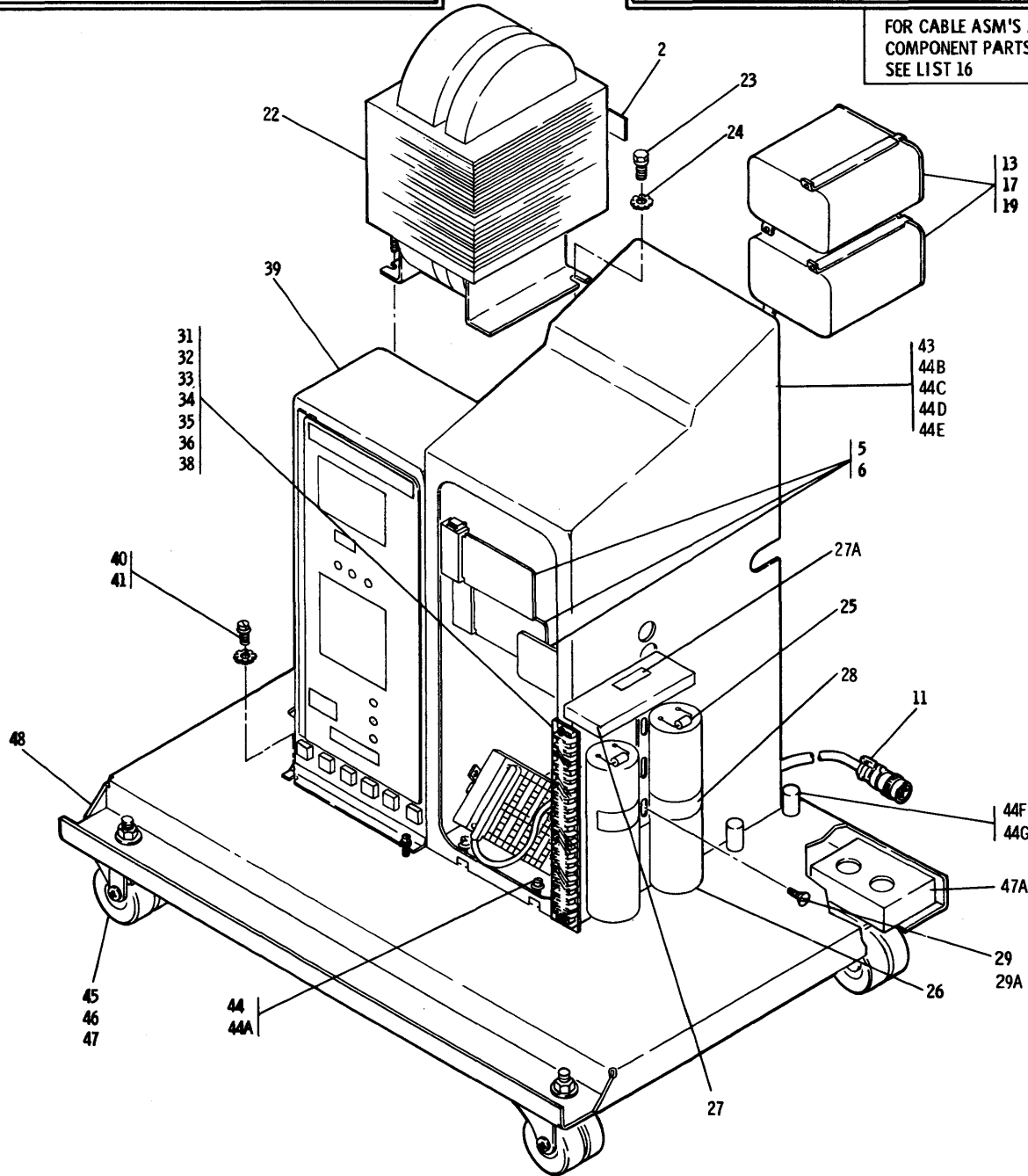
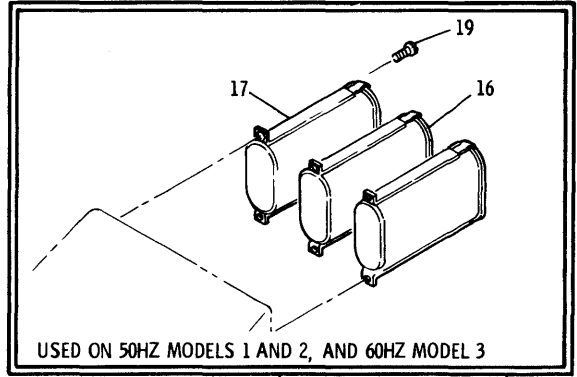
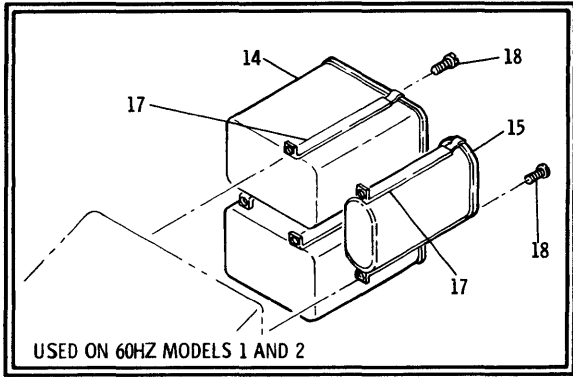


FIGURE 7. 3411 POWER SUPPLY-FINAL ASSEMBLY. SEE LIST 7.

LIST AND INDEX	PART NUMBER	QTY.	DESCRIPTION
- 14	5252819	(2)	• CAPACITOR, PAPER-40UP 330 VOLT ORDER INSULATING BOOT INDEX 14A WHEN REPLACING CAPACITOR USED ON 60HZ MODELS 1 AND 2
- 14A	1703062	(1)	• BOOT, CAPACITOR
- 15	5252815	(1)	• CAPACITOR, PAPER 20 MFD 330V AC USED ON 60HZ MODELS 1 AND 2 ORDER INSULATING BOOT INDEX 14A WHEN REPLACING CAPACITOR
- 16	5252842	(3)	• CAPACITOR, PAPER 10UF 660VAC ORDER INSULATING BOOT INDEX 14A WHEN REPLACING CAPACITOR USED ON 60HZ MOD 3 AND 50HZ MOD 1 & 2
- 17	460564	(AR)	• BRACKET, CAPACITOR MTG
- 18	322550	(AR)	• SCREW, MACH BIND HD 6-32 X 1/2 LG USED ON 60HZ, MODELS 1 AND 2
- 19	438569	(AR)	• SCREW, MACH BIND HD 6-32 X 1.250 LG USED ON ALL 50HZ MODELS AND 60 HZ MODEL 3
- 22	2524734	(1)	• TRANSFORMER, 2.2KVA 60HZ USED ON 60HZ MODELS 1 AND 2
- 22	2524735	(1)	• TRANSFORMER, 2.5KVA 60HZ USED ON 60HZ MODEL 3
- 22	4119318	(1)	• TRANSFORMER, 50HZ USED ON 50HZ MODELS 1 AND 2
- 22	4119319	(1)	• TRANSFORMER, 50HZ USED ON 50HZ MODEL 3
- 23	5353301	(3)	• SCREW-THREAD FORMING, HEX. WASHER HEAD
- 24	76574	(3)	• WASHER, LOCK-EXT. TEETH .250
- 25	501566	(2)	• RESISTOR, 200 OHMS 2W USED ON 50/60HZ, MODEL 1
- 25	5261899	(2)	• RESISTOR, 100 OHMS, 5W USED ON 50/60HZ, MODEL 2
- 25	2524893	(2)	• RESISTOR, 30 OHM 25W USED ON 50/60HZ, MODEL 3
- 26	2524764	(2)	• CAPACITOR, CAN TYPE, 16.8AMP USED ON 50/60HZ, MODEL 1
- 26	2524792	(2)	• CAPACITOR, CAN TYPE, 17.2AMP USED ON 50/60HZ, MODEL 2
- 26	2524760	(2)	• CAPACITOR, CAN TYPE, 26.3AMP USED ON 50/60HZ, MODEL 3
- 27	2524835	(1)	• SHIELD, CAPACITOR USED ON MODEL 1 AND 2 ONLY
- 27	1766216	(1)	• SHIELD, CAPACITOR USED ON MODEL 3 ONLY
- 27A	1141554	(1)	• LABEL
- 28	2524746	(1)	• CLAMP, CAPACITOR
- 29	322550	(2)	• SCREW
- 29A	184522	(1)	• NUT, WING
- 29B	56079	(1)	• LOCKWASHER
- 31	5824095	(1)	• SHIELD, TERMINAL BOARD 20 POS.
- 32	10170	(1)	• SCREW-MACH,BIND HD NO. 6-32 X .250 LG
- 33	253220	(1)	• TERMINAL BOARD- 20 DBL SCREW TERMINALS
- 34	38354	(2)	• SCREW,MACH-FIL H 6-32 X 1/2 LG
- 35	210883	(1)	• STUD-SHIELD MTG,TAPPED,NO. 6-32
- 36	472187	(AR)	• JUMPER-BRASS
- 38	365323	(1)	• MARKER STRIP
- 39	2524710	(1)	• AC BOX ASSEMBLY, 60HZ USED ON MODEL 1/60 HZ, SYS 3,3790 FOR DETAIL BREAKDOWN SEE LIST 8
- 39	2524868	(1)	• AC BOX ASSEMBLY, 60HZ USED ON MODEL 1/60HZ, SYSTEM 115/125 FOR DETAIL BREAKDOWN SEE LIST 8
- 39	2524756	(1)	• AC BOX ASSEMBLY, 60HZ USED ON MODEL 2/60 HZ, SYS 3 FOR DETAIL BREAKDOWN SEE LIST 8
- 39	2524869	(1)	• AC BOX ASSEMBLY, 60HZ



FOR CABLE ASM'S AND  
COMPONENT PARTS  
SEE LIST 16

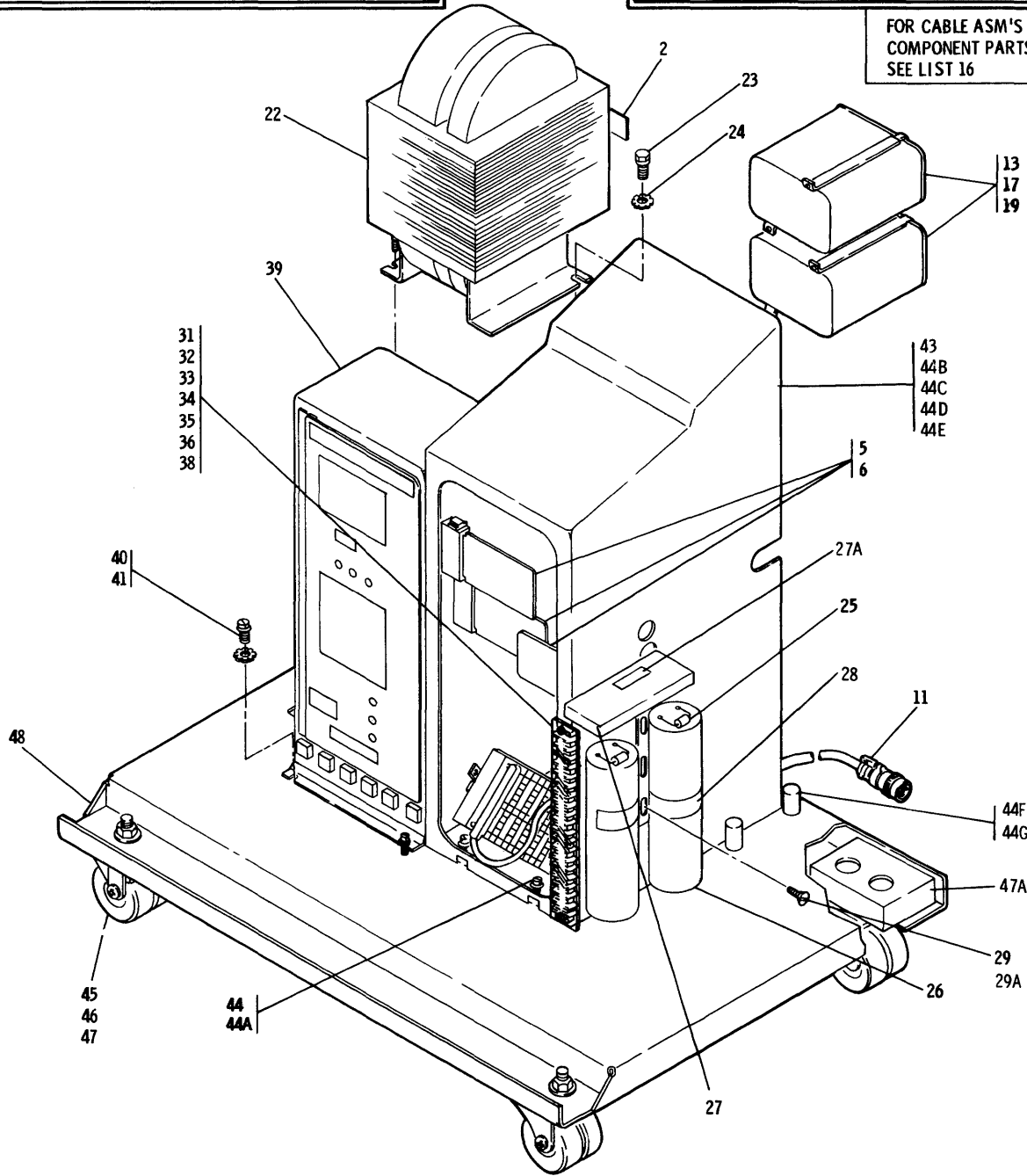
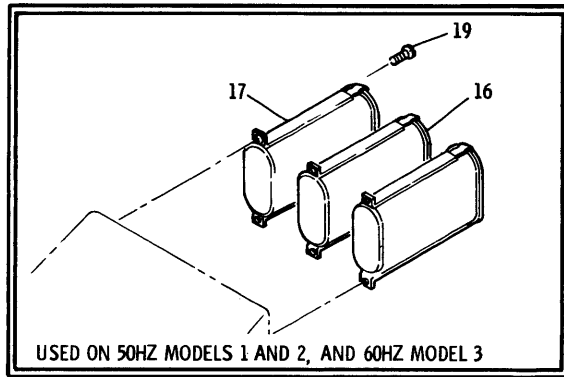
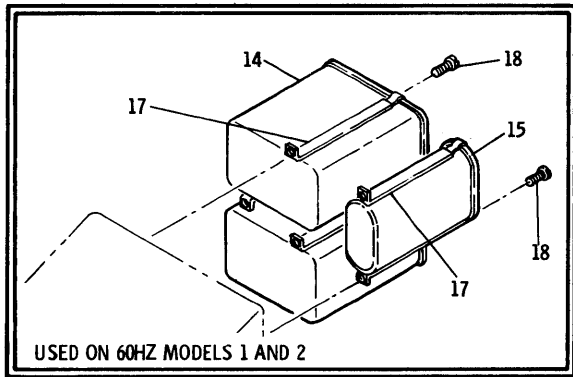


FIGURE 7. 3411 POWER SUPPLY-FINAL ASSEMBLY. SEE LIST 7.

LIST AND INDEX	PART NUMBER	QTY.	DESCRIPTION
			USED ON MODEL 2/60HZ, SYSTEM 115/125 FOR DETAIL BREAKDOWN SEE LIST 8
- 39	2524770	(1)	• AC BOX ASSEMBLY, 60HZ USED ON MODEL 3/60 HZ, SYS 3 FOR DETAIL BREAKDOWN SEE LIST 8
- 39	2524871	(1)	• AC BOX ASSEMBLY, 60HZ USED ON MODEL 3/60HZ, SYSTEM 115/125 FOR DETAIL BREAKDOWN SEE LIST 8
- 39	2524810	(1)	• AC BOX ASSEMBLY, 50HZ USED ON MODEL 1/50 HZ, SYS 3,3790 FOR DETAIL BREAKDOWN SEE LIST 8
- 39	2524864	(1)	• AC BOX ASSEMBLY, 50HZ USED ON MODEL 1/50HZ, SYSTEM 115/125 FOR DETAIL BREAKDOWN SEE LIST 8
- 39	2524821	(1)	• AC BOX ASSEMBLY, 60HZ USED ON MODEL 1/60 HZ, SYS 360/370 FOR DETAIL BREAKDOWN SEE LIST 9
- 39	2524823	(1)	• AC BOX ASSEMBLY, 60HZ USED ON MODEL 2/60 HZ, SYS 360/370 FOR DETAIL BREAKDOWN SEE LIST 9
- 39	2524825	(1)	• AC BOX ASSEMBLY, 60HZ USED ON MODEL 3/60 HZ, SYS 360/370 FOR DETAIL BREAKDOWN SEE LIST 9
- 39	2524822	(1)	• AC BOX ASSEMBLY, 50HZ USED ON MODEL 1/50 HZ, SYS 360/370 FOR DETAIL BREAKDOWN SEE LIST 9
- 39	2524856	(1)	• AC BOX ASSEMBLY, 50HZ USED ON MODEL 2/50 HZ, SYS 3,3790 FOR DETAIL BREAKDOWN SEE LIST 10
- 39	2524866	(1)	• AC BOX ASSEMBLY, 50HZ USED ON MODEL 2/50HZ, SYSTEM 115/125 FOR DETAIL BREAKDOWN SEE LIST 10
- 39	2524867	(1)	• AC BOX ASSEMBLY, 50HZ USED ON MODEL 3/50HZ, SYSTEM 115/125 FOR DETAIL BREAKDOWN SEE LIST 10
- 39	2524870	(1)	• AC BOX ASSEMBLY, 50HZ USED ON MODEL 3/50 HZ, SYS 3 FOR DETAIL BREAKDOWN SEE LIST 10
- 39	2524824	(1)	• AC BOX ASSEMBLY, 50HZ USED ON MODEL 2/50 HZ, SYS 360/370 FOR DETAIL BREAKDOWN SEE LIST 11
- 39	2524826	(1)	• AC BOX ASSEMBLY, 50HZ USED ON MODEL 3/50 HZ, SYS 360/370 FOR DETAIL BREAKDOWN SEE LIST 11
- 40	2181004	(3)	• SCREW,THREAD FORMING-HEX WASHER HD
- 41	56079	(3)	• WASHER-LOCK,EXT T .204 ID .410 OD
- 43	2524701	(NP)	• DC BOX ASSEMBLY, 60HZ USED ON ALL MODELS
- 43	2524703	(NP)	• DC BOX ASSEMBLY, 50HZ USED ON ALL MODELS FOR DETAIL BREAKDOWN SEE LIST 12
- 44	2181004	(4)	• SCREW,THREAD FORMING-HEX WASHER HD
- 44A	45690	(4)	• WASHER, FL NO. 10 X 7/16 OD X 1/32 THK
- 44B	2524808	(1)	• BOARD, CIRCUIT 5V, 6V USED ON 50/60HZ MODEL 1
- 44B	2524740	(1)	• BOARD, CIRCUIT 5V, 6V USED ON 50/60HZ MODELS 2
- 44B	2524800	(1)	• BOARD, CIRCUIT 5V, 6V USED ON 50/60HZ MODEL 3 FOR DETAIL BREAKDOWN SEE LIST 14
- 44C	58207	(2)	• SCREW
- 44D	2524747	(1)	• BOARD, CIRCUIT -4V
- 44E	322550	(1)	• SCREW
- 44F	2518365	(2)	• PIN
- 44G	125930	(2)	• NUT, PLAIN HEX 10-32
- 45	179623	(4)	• CASTER,SWIVEL- 2 IN. DBL WHL 3/8-16 STUD
- 46	24107	(4)	• NUT,PLAIN,HEX- 3/8 X 9/16 FL W



FOR CABLE ASM'S AND  
COMPONENT PARTS  
SEE LIST 16

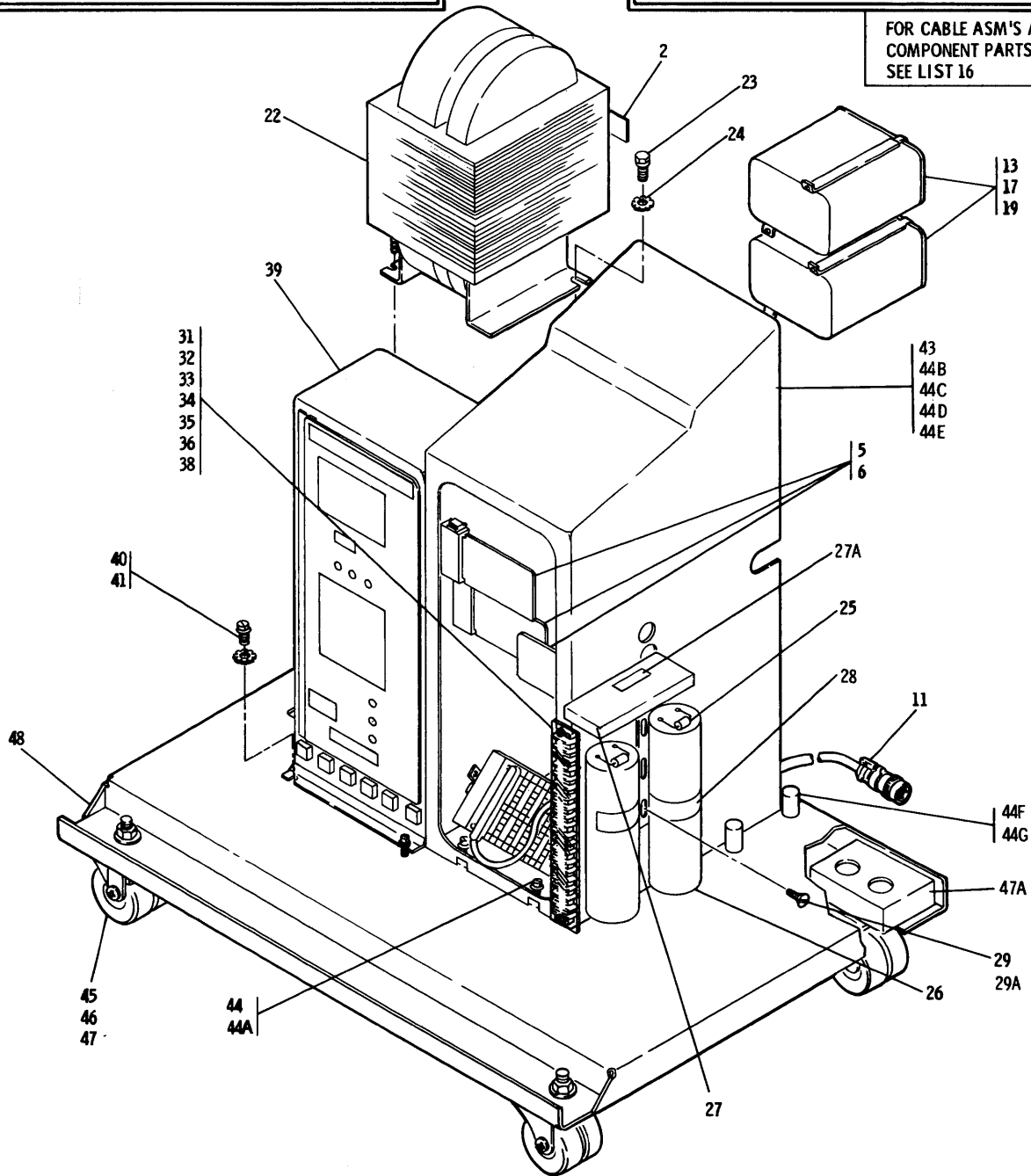


FIGURE 7. 3411 POWER SUPPLY-FINAL ASSEMBLY. SEE LIST 7.

LIST AND INDEX	PART NUMBER	QTY.	DESCRIPTION
- 47	10309	(4)	• LCK WASHER, .382 ID X .688 OD X .094 THK
- 47A	2518507	(2)	• FRAME SUPPORT
- 48	2517669	(NP)	• BASE, FRAME

END OF LIST 7.

FOR CABLE ASM'S AND COMPONENT PARTS SEE LIST 16

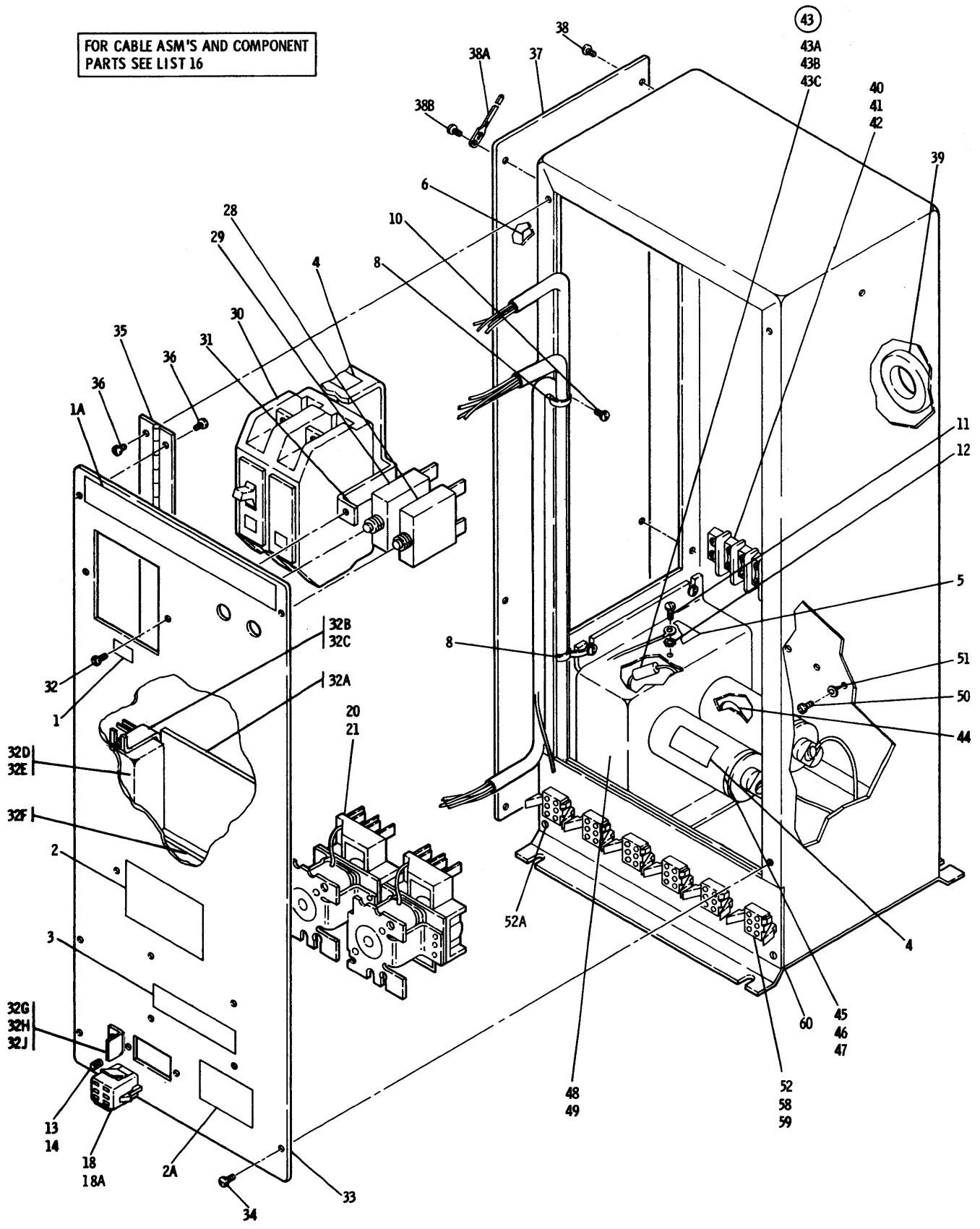


FIGURE 8. SYSTEM 3,115/125,3790 AC BOX ASSEMBLIES. SEE LIST 8.



LIST AND INDEX	PART NUMBER	QTY.	DESCRIPTION
SYSTEM 3,115/125,3790 AC BOX ASSEMBLIES			
8 -	2524710	(REF)	AC BOX ASSEMBLY, 60HZ USED ON 3411, MODEL 1/SYST 3,3790
-	2524868	(REF)	AC BOX ASSEMBLY, 60HZ USED ON 3411, MODEL 1/SYST 115/125
-	2524810	(REF)	AC BOX ASSEMBLY, 50HZ USED ON 3411, MODEL 1/SYST 3,3790
-	2524864	(REF)	AC BOX ASSEMBLY, 50HZ USED ON 3411, MODEL 1/SYST 115/125
-	2524756	(REF)	AC BOX ASSEMBLY, 60HZ USED ON 3411, MODEL 2/SYST 3
-	2524869	(REF)	AC BOX ASSEMBLY, 60HZ USED ON 3411, MODEL 2/SYST 115/125
-	2524770	(REF)	AC BOX ASSEMBLY, 60HZ USED ON 3411, MODEL 3/SYST 3
-	2524871	(REF)	AC BOX ASSEMBLY, 60HZ USED ON 3411, MODEL 3/SYST 115/125 FOR NEXT HIGHER ASM SEE LIST 7-39 FOR ILLUSTRATION SEE FIG 8
- 1	474806	(1)	• LABELS, FUSE
- 1A	5236793	(1)	• LABEL, HAZARDOUS AREA
- 2	2503929	(1)	• LABEL, MAIN LINE SWITCH
- 2A	845762	(1)	• LABEL, VOLTAGE
- 3	5397579	(1)	• NAMEPLATE, LINE FILTER
- 4	138754	(2)	• DECAL, INST-LINE V PRESENT W/MACH PWR OFF
- 5	646007	(1)	• LABEL, GROUND WARNING
- 6	369207	(1)	• LABEL, VOLTAGE
- 8	532393	(3)	• CLAMP-ADJUSTABLE CABLE
- 10	10170	(1)	• SCREW-MACH, BIND HD NO. 6-32 X .250 LG
- 11	58207	(1)	• SCREW, BD HD MACH-8-32 NC-2A X .250 LG
- 12	55901	(1)	• LOCKWASHER, EXTERNAL TOOTH
- 13	55726	(1)	• SCREW, MACH-BIND HD 6-32 X .188 LG
- 14	56722	(1)	• WASHER-LOCK, EXT T, .150 ID
- 18	609686	(AR)	• CONNECTOR, PLUG, ELEC- 6 FEMALE CONTACTS USED ON SYSTEM 3,3790 MACHINES
- 18	523269	(AR)	• CONNECTOR, PLUG ELEC-6 FEMALE CONTACTS USED ON SYSTEM 115/125 MACHINES
- 18A	251970	(2)	• SCREW
- 20	2524713	(2)	• CONTACTOR
- 21	55726	(4)	• SCREW, MACH-BIND HD 6-32 X .188 LG
- 28	2524613	(1)	• CIRCUIT PROTECTOR, 12AMP 250V USED ON 50/60HZ MODEL 1
- 28	2524831	(1)	• CIRCUIT PROTECTOR, 15AMP 250V USED ON 60HZ MODELS 2 AND 3
- 29	2218599	(1)	• CIRCUIT PROTECTOR- 10 AMP 250V USED ON 50/60HZ MODEL 1
- 29	2524613	(1)	• CIRCUIT PROTECTOR, 12A-250V USED ON 60HZ MODELS 2 AND 3
- 30	5719455	(1)	• CIRCUIT BREAKER, 20AMP 240V USED ON 50/60HZ MODEL 1
- 30	5213800	(1)	• CIRCUIT BREAKER, 25AMP, 240V USED ON 60HZ MODEL 2
- 30	2158708	(1)	• CIRCUIT BREAKER, 30AMP 240V USED ON 60HZ MODEL 3
- 31	2524712	(1)	• BRACKET, CIRCUIT BREAKER MTG.
- 32	322065	(2)	• SCREW, MACH-BIND HD 6-32 X 5/8 LG
- 32A	375463	(1)	• CARD, VOLTAGE DETECTION USED ON 50/60HZ, SYST 115/125
- 32B	4762423	(1)	• BRACKET, PLUG SUPPORT
- 32C	55726	(2)	• SCREW, MACH BIND HD 6-32 X .188 LG
- 32D	216076	(1)	• SOCKET, CARD
- 32E	5761625	(1)	• SPACER, SMS
- 32F	2521592	(1)	• RETAINER, CARD
- 32G	5271288	(1)	• TERMINAL
- 32H	251970	(1)	• SCREW
- 32J	338169	(1)	• WASHER, LOCK

FOR CABLE ASM'S AND COMPONENT PARTS SEE LIST 16

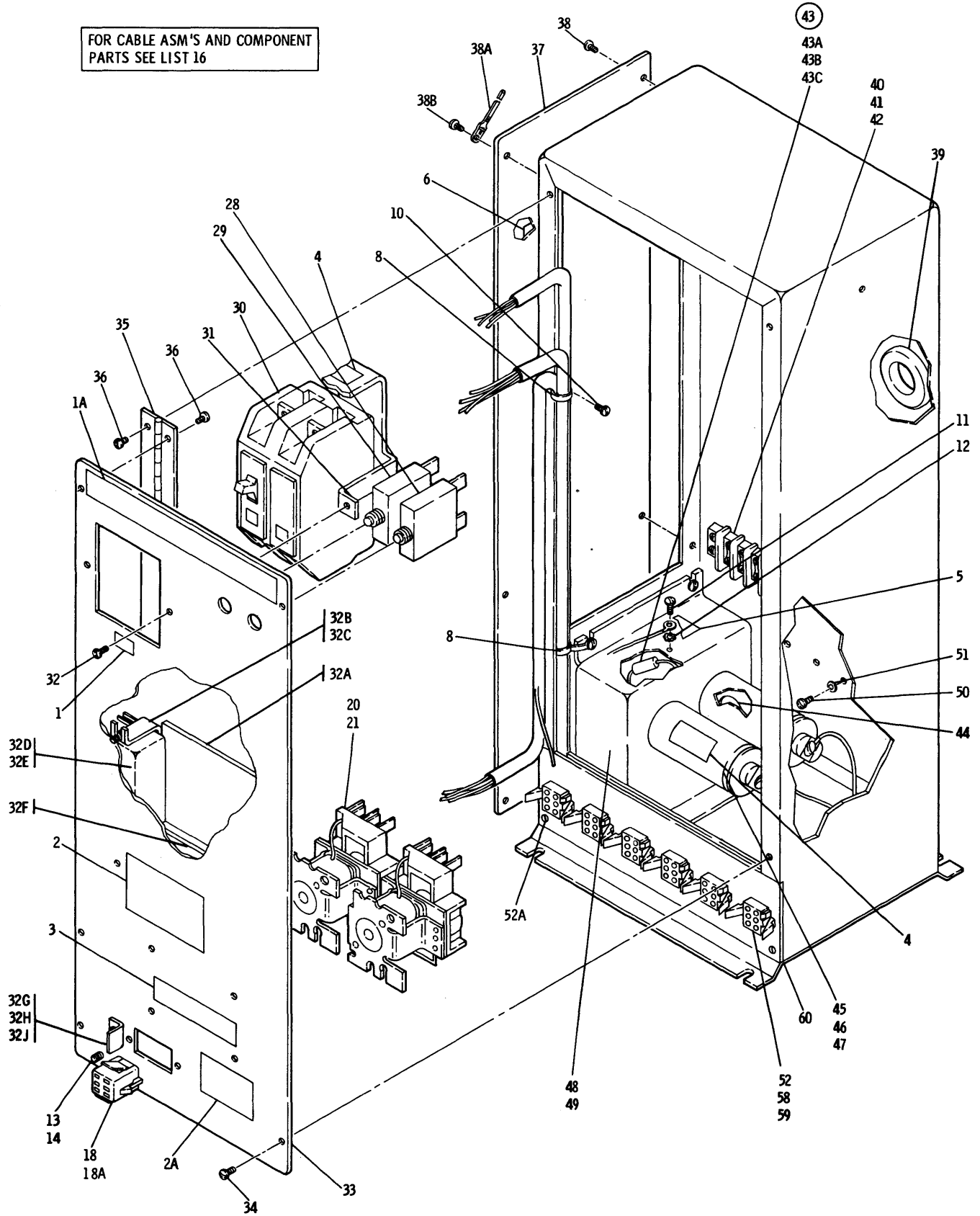


FIGURE 8. SYSTEM 3,115/125,3790 AC BOX ASSEMBLIES. SEE LIST 8.

LIST AND INDEX	PART NUMBER	QTY.	DESCRIPTION
- 33	2524729	(NR)	• COVER, FRONT, AC BOX USED ON SYSTEM 3,3790 MACHINES
- 33	2524862	(NR)	• COVER, FRONT, AC BOX USED ON SYSTEM 115/125 MACHINES
- 34	55726	(2)	• SCREW,MACH-BIND HD 6-32 X .188 LG
- 35	2524711	(1)	• HINGE, FRONT COVER, AC BOX
- 36	55726	(7)	• SCREW,MACH-BIND HD 6-32 X .188 LG
- 37	2524717	(1)	• COVER, SIDE, AC BOX
- 38	55726	(5)	• SCREW,MACH-BIND HD 6-32 X .188 LG
- 38A	532393	(1)	• CLAMP, ADJUSTABLE CABLE
- 38B	38235	(1)	• SCREW MACH 6/32 X .310 LG
- 39	338327	(1)	• GROMMET,RUB-FOR 1-1/4 HOLE X 1/16 PNL
- 40	320451	(1)	• TERMINAL BOARD- 10 DBL SCREW TERMINALS
- 41	5528	(4)	• SCREW,MACH BIND HD 8-32 X .625 LG
- 42	550578	(1)	• MARKER STRIP- 10 POS NOS. 1 THRU 10
- 43	2524614	(2)	• RESISTOR ASSEMBLY
- 43A	334768	(1)	• • TERMINAL, LUG INS 16-22 AWG NO. 1/4 MTG HOL
- 43B	334932	(1)	• • TERMINAL, LUG NO. 18 THRU NO. 22 WIRE INSUL
- 43C	503498	(1)	• • RESISTOR, FXD 1 MEG. OHM P/M 5% 1W
- 44	342250	(1)	• ADAPTER,CABLE TO CONNECTOR
- 45	5213430	(2)	• CAPACITOR,FIXED,MYLAR-0.5 UF 600V
- 46	34512	(4)	• SCREW,MACH-BIND HD 8-32 X 3/8 LG
- 47	55901	(4)	• LOCKWASHER, EXTERNAL TOOTH
- 48	2524718	(1)	• SHIELD, CAPACITOR MTG.
- 49	186759	(3)	• SCREW,MACH-BIND HD 8-32 X 5/16 LG
- 50	28413	(AR)	• SCREW,MACH-BIND HD 10-32 X 5/16 LG
- 50	186759	(AR)	• SCREW,MACH-BIND HD 8-32 X 5/16 LG
- 51	56079	(AR)	• LOCKWASHER,EXT TH .204ID X .410OD
- 51	55901	(AR)	• LOCKWASHER,EXT TH .176ID X .381OD
- 52	2524894	(1)	• PLATE
- 52A	10170	(2)	• SCREW
- 58	5214995	(NR)	• SOCKET HOUSING, 6CKT
- 59	2524721	(NP)	• CARD, AC DISTRIBUTION
- 60	2524715	(NP)	• CHASSIS, MAIN AC BOX

END OF LIST 8.

FOR CABLE ASM'S AND COMPONENT PARTS SEE LIST 16

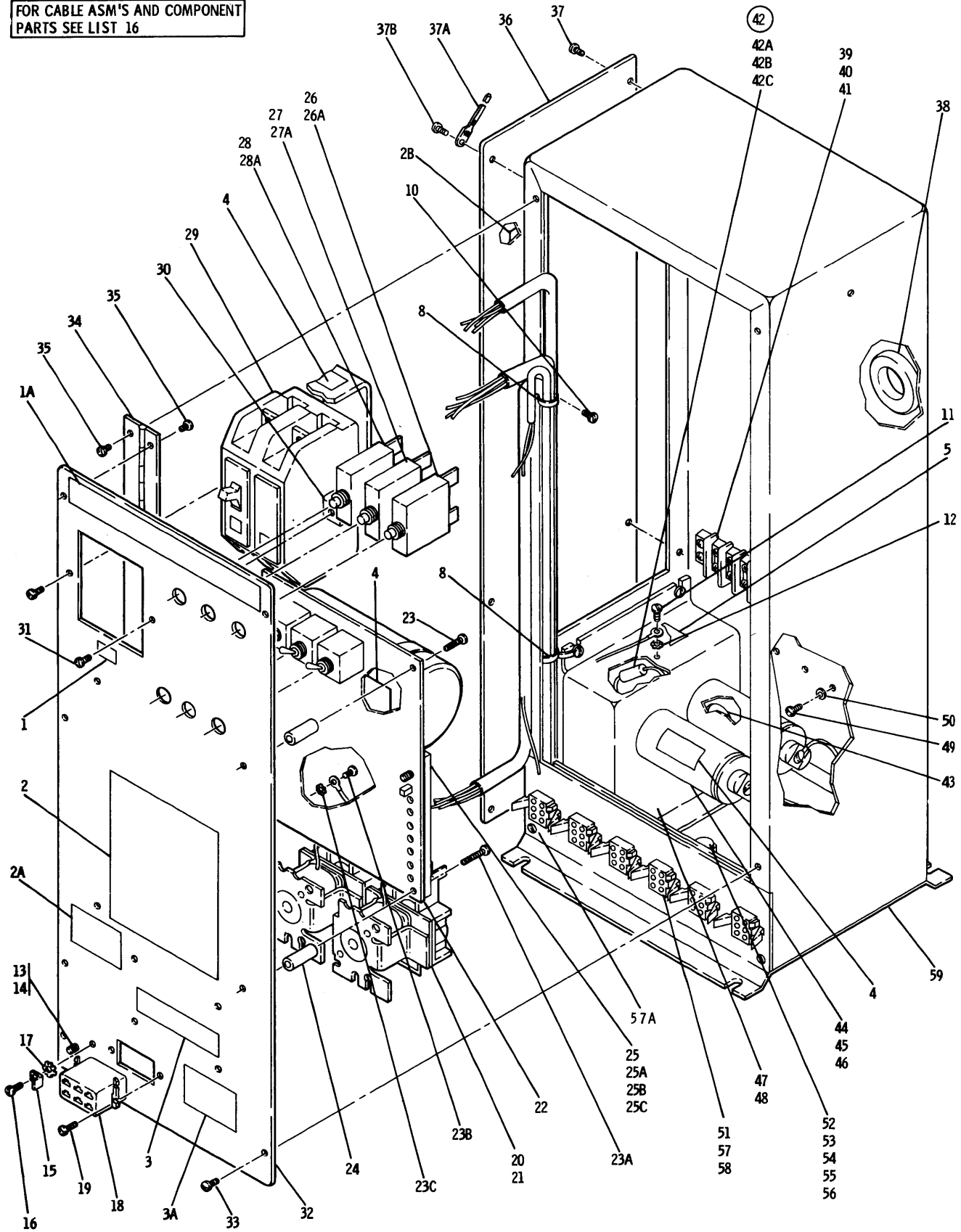


FIGURE 9. SYSTEM 360/370 AC BOX ASSEMBLIES. SEE LIST 9.

LIST AND INDEX	PART NUMBER	QTY.	DESCRIPTION
SYSTEM 360/370 AC BOX ASSEMBLIES			
9 -	2524821	(REF)	AC BOX ASSEMBLY, 60HZ USED ON 3411, MODEL 1
-	2524822	(REF)	AC BOX ASSEMBLY, 50HZ USED ON 3411, MODEL 1
-	2524823	(REF)	AC BOX ASSEMBLY, 60HZ USED ON 3411, MODEL 2
-	2524825	(REF)	AC BOX ASSEMBLY, 60HZ USED ON 3411, MODEL 3 FOR NEXT HIGHER ASM SEE LIST 7-39 FOR ILLUSTRATION SEE FIG 9
- 1	474806	(1)	• LABELS, FUSE
- 1A	5236793	(1)	• LABEL, HAZARDOUS AREA
- 2	2524880	(2)	• LABEL, VOLTAGE
- 2A	2503929	(1)	• LABEL, MAIN LINE SWITCH
- 2B	369207	(1)	• LABEL, VOLTAGE
- 3	5397579	(1)	• NAMEPLATE, LINE FILTER
- 3A	845762	(1)	• LABEL, VOLTAGE
- 4	138754	(3)	• DECAL, INST-LINE V PRESENT W/MACH PWR OFF
- 5	646007	(1)	• LABEL, GROUND WARNING
- 8	532393	(2)	• CLAMP-ADJUSTABLE CABLE
- 10	10170	(1)	• SCREW-MACH, BIND HD NO. 6-32 X .250 LG
- 11	58207	(1)	• SCREW, BD HD MACH-8-32 NC-2A X .250 LG
- 12	55901	(1)	• LOCKWASHER, EXTERNAL TOOTH
- 13	55726	(1)	• SCREW, MACH-BIND HD 6-32 X .188 LG
- 14	56722	(1)	• WASHER-LOCK, EXT T, .150 ID
- 15	5271288	(1)	• TERMINAL, FIXED TAB
- 16	251970	(1)	• SCREW-MACH BD. HD. 4-40 X 1/4 LG
- 17	338169	(1)	• WASHER, LOCK-EXT TEETH NO. 4 X 9/32 OD
- 18	523269	(1)	• INSERT, ELECTRICAL CONNECTOR- 6 POS
- 19	251970	(2)	• SCREW, MACH BD HD 4-40 X 1/4 LG
- 20	2524713	(2)	• CONTACTOR
- 21	55726	(4)	• SCREW, MACH-BIND HD 6-32 X .188 LG
- 22	2524730	(1)	• BOARD ASSEMBLY, POWER CONTROL CIRCUIT USED ON 60HZ, MODELS 1, 2, AND 3
- 22	2524830	(1)	• BOARD ASSEMBLY, POWER CONTROL CIRCUIT USED ON 50HZ, MODEL 1 FOR DETAIL BREAKDOWN SEE LIST 13
- 23	322551	(2)	• SCREW
- 23A	438571	(1)	• SCREW, BINDING HEAD, 6-32 NC X 1-3/4 LG.
- 23B	322552	(1)	• SCREW
- 23C	56722	(1)	• LOCKWASHER, EXTERNAL TOOTH
- 24	323656	(4)	• SPACER
- 25	2524833	(1)	• SHIELD, TERMINAL BOARD
- 25A	438568	(1)	• SCREW, MACH-UNDRCT BIND HD 6-32 X 1-1/8
- 25B	257187	(1)	• NUT-HEX NO. 6-32 NC
- 25C	1145301	(1)	• WASHER, NON-METALIC
- 26	2524613	(1)	• CIRCUIT PROTECTOR USED ON 50/60HZ, MODEL 1
- 26	2524831	(1)	• CIRCUIT PROTECTOR, 15AMP 250V USED ON 60HZ, MODELS 2 AND 3
- 26A	122592	(1)	• LOCKWASHER
- 27	2218599	(1)	• CIRCUIT PROTECTOR- 10 AMP 250V USED ON 50/60HZ, MODEL 1
- 27	2524613	(1)	• CIRCUIT PROTECTOR, 12A-250V USED ON 60HZ, MODELS 2 AND 3
- 27A	516919	(1)	• LOCKWASHER
- 28	2513489	(1)	• CIRCUIT PROTECTOR, 24V-1/2AMP USED ON 50/60HZ, MODEL 1 USED ON 60HZ, MODELS 2 AND 3
- 28A	516919	(1)	• LOCKWASHER
- 29	5719455	(1)	• CIRCUIT BREAKER USED ON 50/60HZ, MODEL 1
- 29	5213800	(1)	• CIRCUIT BREAKER, 25AMP, 240V USED ON 60HZ, MODEL 2
- 29	2158708	(1)	• CIRCUIT BREAKER

FOR CABLE ASM'S AND COMPONENT PARTS SEE LIST 16

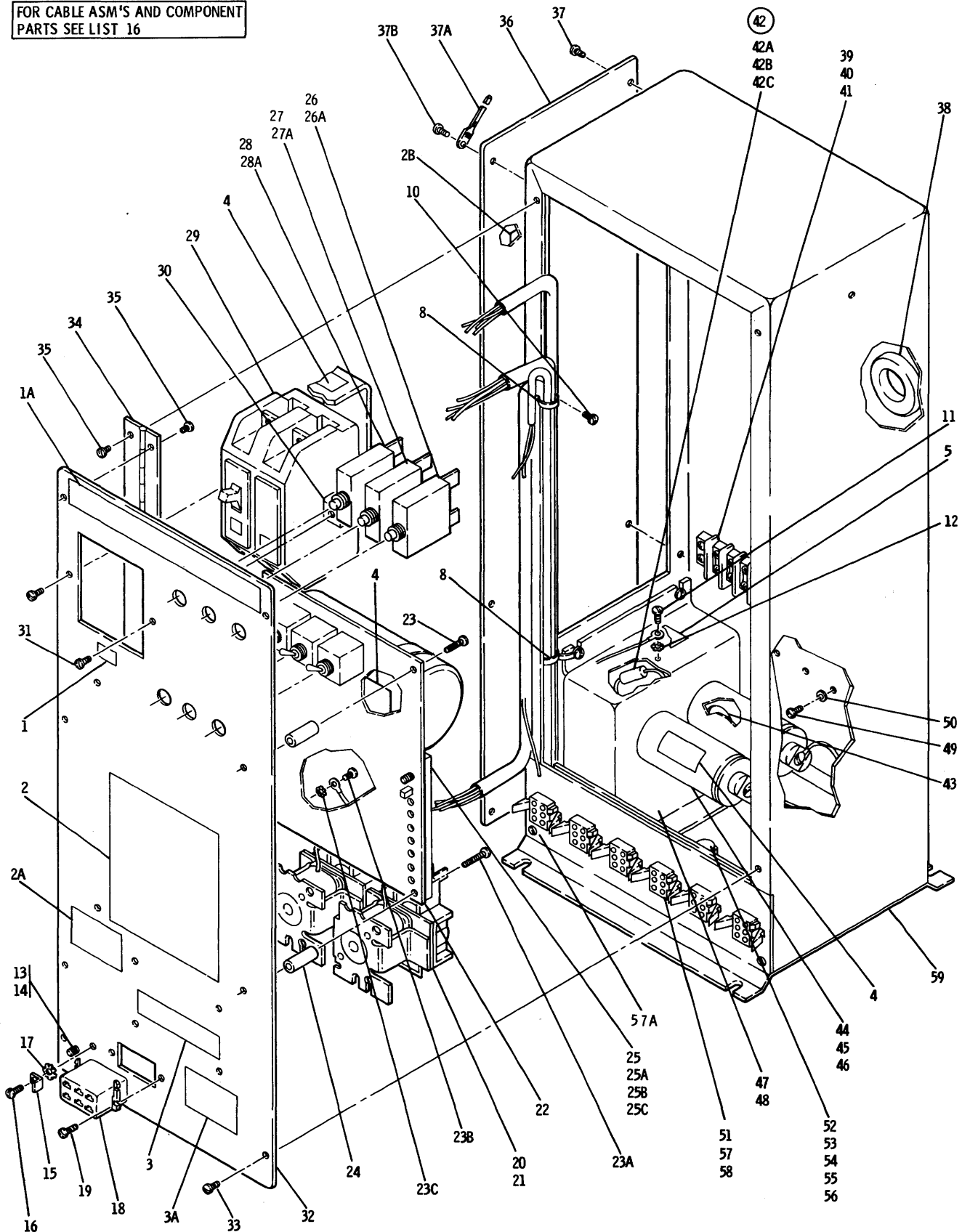


FIGURE 9. SYSTEM 360/370 AC BOX ASSEMBLIES. SEE LIST 9.

LIST AND INDEX	PART NUMBER	QTY.	DESCRIPTION
			USED ON 60HZ, MODEL 3
- 30	2524712	(1)	• BRACKET, CIRCUIT BREAKER MTG.
- 31	322065	(2)	• SCREW,MACH-BIND HD 6-32 X 5/8 LG
- 32	2524714	(NR)	• COVER, FRONT, AC BOX
- 33	55726	(2)	• SCREW,MACH-BIND HD 6-32 X .188 LG
- 34	2524711	(1)	• HINGE, FRONT COVER, AC BOX
- 35	55726	(7)	• SCREW,MACH-BIND HD 6-32 X .188 LG
- 36	2524717	(1)	• COVER, SIDE, AC BOX
- 37	55726	(5)	• SCREW,MACH-BIND HD 6-32 X .188 LG
- 37 A	532393	(1)	• CLAMP, ADJUSTABLE CABLE
- 37 B	38235	(1)	• SCREW MACH 6/32 X .310 LG
- 38	338327	(1)	• GROMMET,RUB-FOR 1-1/4 HOLE X 1/16 PNL
- 39	320451	(1)	• TERMINAL BOARD- 10 DBL SCREW TERMINALS
- 40	5528	(4)	• SCREW,MACH BIND HD 8-32 X .625 LG
- 41	550578	(1)	• MARKER STRIP- 10 POS NOS. 1 THRU 10
- 42	2524614	(2)	• RESISTOR ASSEMBLY
- 42 A	334768	(1)	• • TERMINAL, LUG INS 16-22 AWG NO. 1/4 MTG HOL
- 42 B	334932	(1)	• • TERMINAL, LUG NO. 18 THRU NO. 22 WIRE INSUL
- 42 C	503498	(1)	• • RESISTOR, FXD 1 MEG. OHM P/M 5% 1W
- 43	342250	(1)	• ADAPTER,CABLE TO CONNECTOR
- 44	5213430	(2)	• CAPACITOR,FIXED,MYLAR-0.5 UF 600V
- 45	34512	(4)	• SCREW,MACH-BIND HD 8-32 X 3/8 LG
- 46	55901	(4)	• LOCKWASHER, EXTERNAL TOOTH
- 47	2524718	(1)	• SHIELD, CAPACITOR MTG.
- 48	186759	(3)	• SCREW,MACH-BIND HD 8-32 X 5/16 LG
- 49	28413	(AR)	• SCREW,MACH-BIND HD 10-32 X 5/16 LG
- 49	186759	(AR)	• SCREW,MACH-BIND HD 8-32 X 5/16 LG
- 50	56079	(AR)	• LOCKWASHER,EXT TH .204ID X .410OD
- 50	55901	(AR)	• LOCKWASHER,EXT TH .176ID X .381OD
- 51	2524894	(1)	• PLATE
- 51 A	10170	(2)	• SCREW
- 57	5214995	(NR)	• SOCKET HOUSING, 6CKT
- 58	2524721	(NP)	• CARD, AC DISTRIBUTION
- 59	2524715	(NP)	• CHASSIS, MAIN AC BOX

END OF LIST 9.

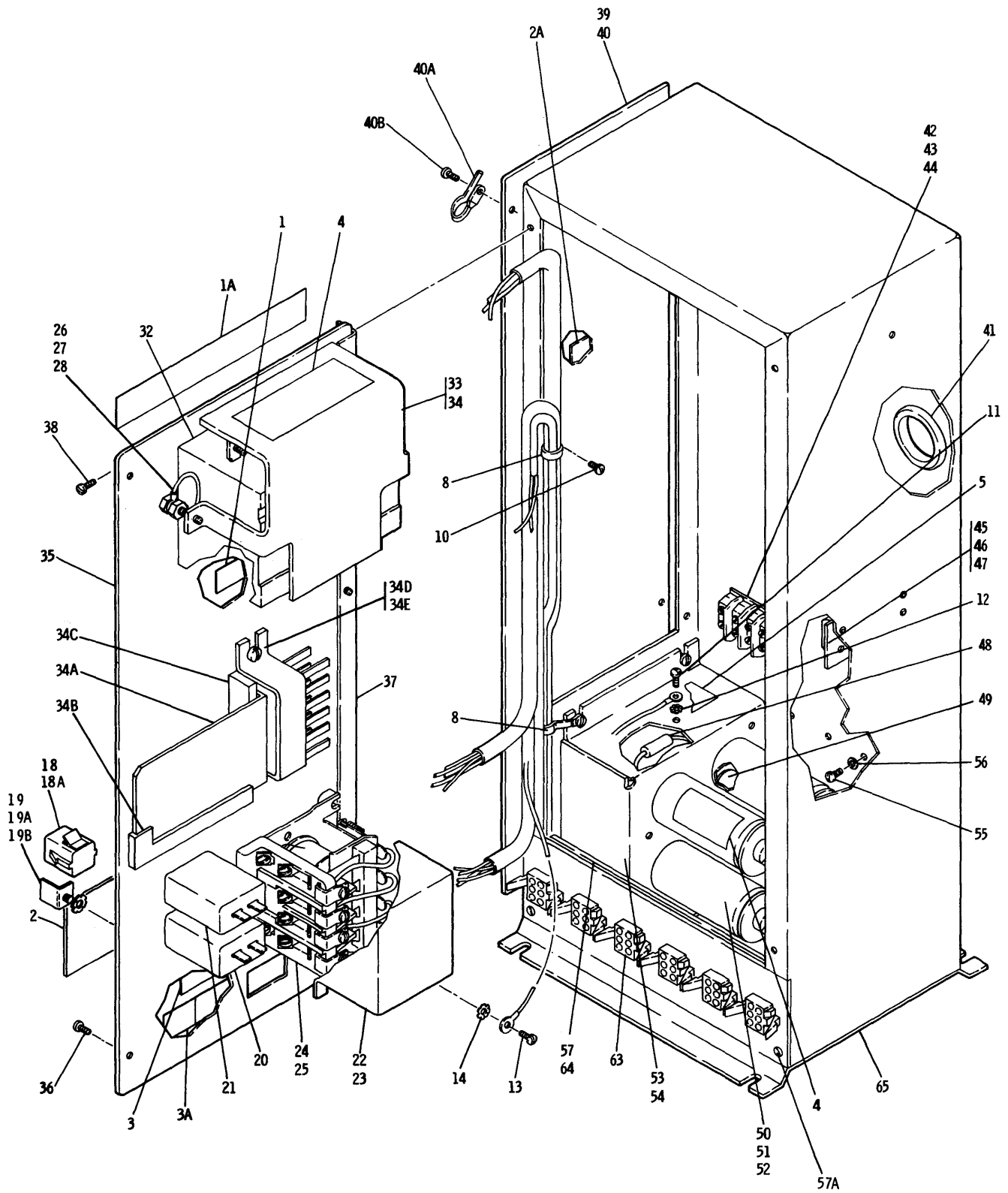


FIGURE 10. SYSTEM 3,115/125,3790 50HZ BOX ASSEMBLIES. SEE LIST 10.



LIST AND INDEX	PART NUMBER	QTY.	DESCRIPTION
SYSTEM 3,115/125,3790 50HZ BOX ASSEMBLIES			
10 -	2524856	(REF)	AC BOX ASSEMBLY, 50HZ USED ON 3411, MODEL 2/SYST 3,3790
-	2524870	(REF)	AC BOX ASSEMBLY, 50HZ USED ON 3411, MODEL 3/SYST 3
-	2524866	(REF)	AC BOX ASSEMBLY, 50HZ USED ON 3411, MODEL 2/SYST 115/125
-	2524867	(REF)	AC BOX ASSEMBLY, 50HZ USED ON 3411, MODEL 3/SYST 115/125 FOR NEXT HIGHER ASM SEE LIST 7-39 FOR ILLUSTRATION SEE FIG 10
- 1	474806	(1)	• LABELS, FUSE
- 1A	5236793	(1)	• LABEL, HAZARDOUS AREA
- 2	2503929	(1)	• LABEL, MAIN LINE SWITCH
- 2A	369207	(1)	• LABEL, VOLTAGE
- 3	5397579	(1)	• NAMEPLATE, LINE FILTER
- 3A	845762	(1)	• LABEL, VOLTAGE
- 4	138754	(2)	• DECAL, INST-LINE V PRESENT W/MACH PWR OFF
- 5	5731697	(1)	• LABEL, GROUND WARNING
- 5	1741341	(AR)	• LABEL, GROUND WARNING (FRENCH)
- 8	532393	(2)	• CLAMP-ADJUSTABLE CABLE
- 10	10170	(1)	• SCREW-MACH, BIND HD NO. 6-32 X .250 LG
- 11	58207	(1)	• SCREW, BD HD MACH-8-32 NC-2A X .250 LG
- 12	55901	(1)	• LOCKWASHER, EXTERNAL TOOTH
- 13	55726	(1)	• SCREW, MACH-BIND HD 6-32 X .188 LG
- 14	56722	(1)	• WASHER-LOCK, EXT T, .150 ID
- 18	609686	(AR)	• CONNECTOR, PLUG, ELEC- 6 FEMALE CONTACTS USED ON SYSTEM 3,3790 MACHINES
- 18	523269	(AR)	• CONNECTOR, PLUG, ELEC-6 FEMALE CONTACTS USED ON SYSTEM 115/125 MACHINES
- 18A	251970	(2)	• SCREW
- 19	5271288	(1)	• TERMINAL
- 19A	251970	(1)	• SCREW
- 19B	338169	(1)	• WASHER, LOCK
- 20	2524613	(1)	• CIRCUIT PROTECTOR, 12A-250V
- 21	2524831	(AR)	• CIRCUIT PROTECTOR, 15AMP 250V USED ON ALL MODEL 2/SYST3/115/125 MACH
- 21	5180400	(AR)	• CIRCUIT PROTECTOR, 20AMP, 250V USED ON ALL MODEL 3/SYST3/115/125 MACH
- 22	2524857	(1)	• COVER, CONTACTOR
- 23	55726	(2)	• SCREW, MACH-BIND HD 6-32 X .188 LG
- 24	2588425	(1)	• CONTACTOR
- 25	58207	(3)	• SCREW, BD HD MACH-8-32 NC-2A X .250 LG
- 26	5759500	(1)	• JUMPER
- 27	56722	(2)	• LOCKWASHER
- 28	257187	(2)	• NUT
- 32	4117271	(1)	• CIRCUIT BREAKER, 25A, 408V, 4 POLE
- 33	2524858	(1)	• BRACKET, CIRCUIT BREAKER
- 34	438568	(2)	• SCREW, MACH-BIND HD 6-32 X 1 1/8 LG
- 34A	375463	(1)	• CARD, VOLTAGE DETECTION
- 34B	2521592	(1)	• RETAINER, CARD
- 34C	5761625	(1)	• SPACER, SOCKET
- 34D	5762423	(1)	• BRACKET, SMS SOCKET
- 34E	55726	(2)	• SCREW
- 34F	216076	(1)	• SOCKET, SMS CARD
- 35	2524828	(NR)	• COVER, FRONT, AC BOX USED ON SYSTEM 3,3790 MACHINES
- 35	2524863	(NR)	• COVER, FRONT, AC BOX USED ON SYSTEM 115/125 MACHINES
- 36	55726	(2)	• SCREW, MACH-BIND HD 6-32 X .188 LG
- 37	2524711	(1)	• HINGE, FRONT COVER, AC BOX
- 38	55726	(7)	• SCREW, MACH-BIND HD 6-32 X .188 LG
- 39	2524717	(1)	• COVER, SIDE, AC BOX
- 40	55726	(5)	• SCREW, MACH-BIND HD 6-32 X .188 LG
- 40A	532393	(1)	• CLAMP, ADJUSTABLE CABLE
- 40B	38235	(1)	• SCREW MACH 6/32 X .310 LG

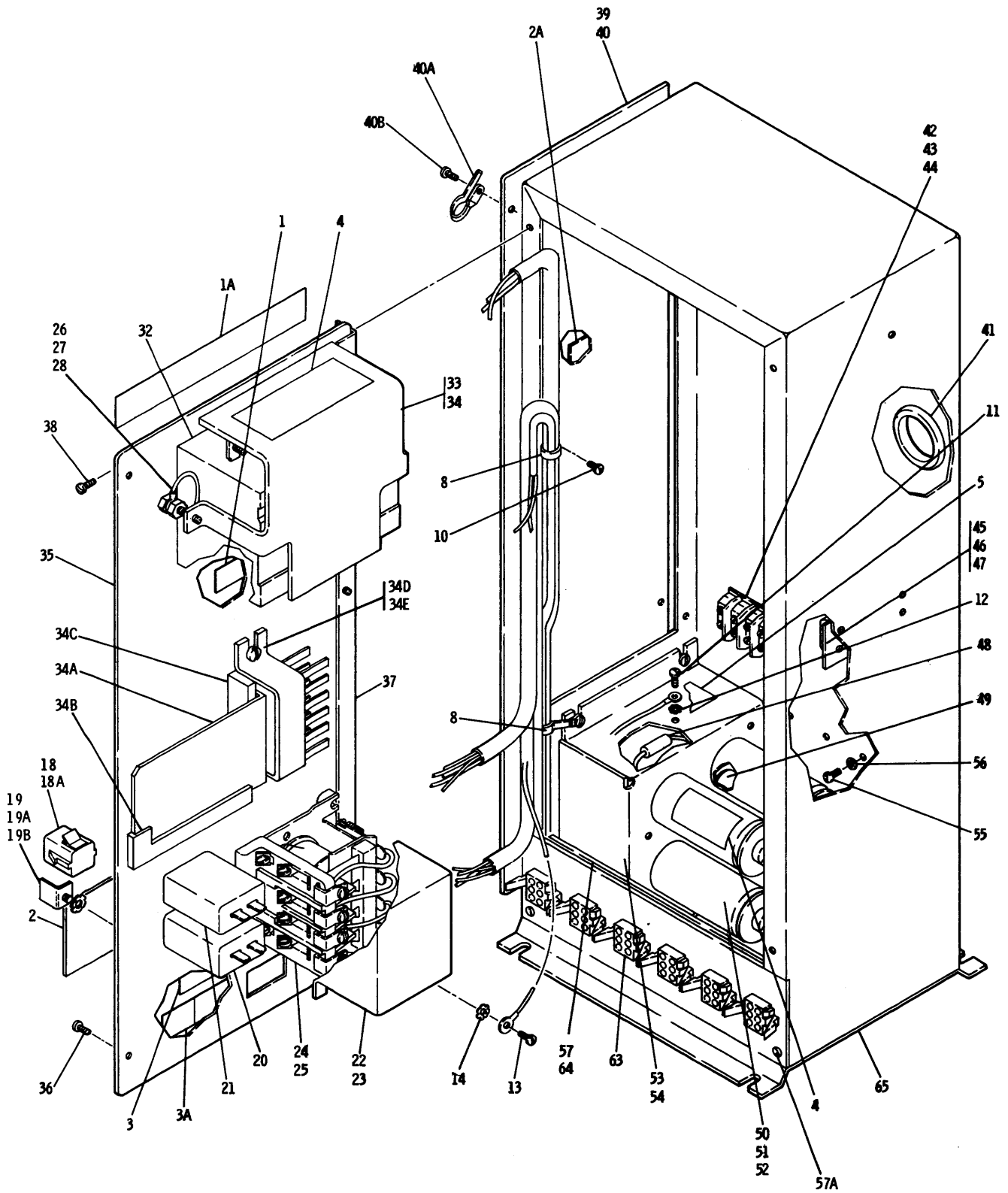


FIGURE 10. SYSTEM 3,115/125,3790 50HZ BOX ASSEMBLIES. SEE LIST 10.

LIST AND INDEX	PART NUMBER	QTY.	DESCRIPTION
- 41	338327	(1)	• GROMMET,RUB-FOR 1-1/4 HOLE X 1/16 PNL
- 42	320451	(1)	• TERMINAL BOARD- 10 DBL SCREW TERMINALS
- 43	5528	(4)	• SCREW,MACH BIND HD 8-32 X .625 LG
- 44	550578	(1)	• MARKER STRIP, 10 POS. NOS. 1 THRU 10
- 45	323841	(1)	• TERMINAL BOARD- 3 DBL SCREW TERMINALS
- 46	35739	(4)	• SCREW,MACH-BIND HD 6-32 X 15/16 LG
- 47	323681	(1)	• MARKER STRIP- 3 POS NOS. 1 THRU 3
- 48	2510920	(3)	• RESISTOR, 1 MEG-1W
- 48	2524614	(1)	• RESISTOR, 1 MEG-1W POSITIONS R1, R2, R3
- 49	342250	(1)	• ADAPTER,CABLE TO CONNECTOR
- 50	5213430	(4)	• CAPACITOR,FIXED,MYLAR-0.5 UF 600V
- 51	34512	(8)	• SCREW,MACH-BIND HD 8-32 X 3/8 LG
- 52	55901	(8)	• LOCKWASHER, EXTERNAL TOOTH
- 53	2524842	(1)	• SHIELD, CAPACITOR MTG.
- 54	186759	(AR)	• SCREW,MACH-BIND HD 8-32 X 5/16 LG
- 55	28413	(AR)	• SCREW,MACH-BIND HD 10-32 X 5/16 LG
- 55	186759	(AR)	• SCREW,MACH-BIND HD 8-32 X 5/16 LG
- 56	56079	(AR)	• LOCKWASHER,EXT TH .204ID X .410OD
- 56	55901	(AR)	• LOCKWASHER,EXT TH .176ID X .381OD
- 57	2524894	(1)	• PLATE
- 57A	10170	(AR)	• SCREW
- 63	5214995	(NR)	• SOCKET HOUSING, 6CKT
- 64	2524721	(NP)	• CARD, AC DISTRIBUTION
- 65	2524715	(NP)	• CHASSIS, MAIN AC BOX

END OF LIST 10.

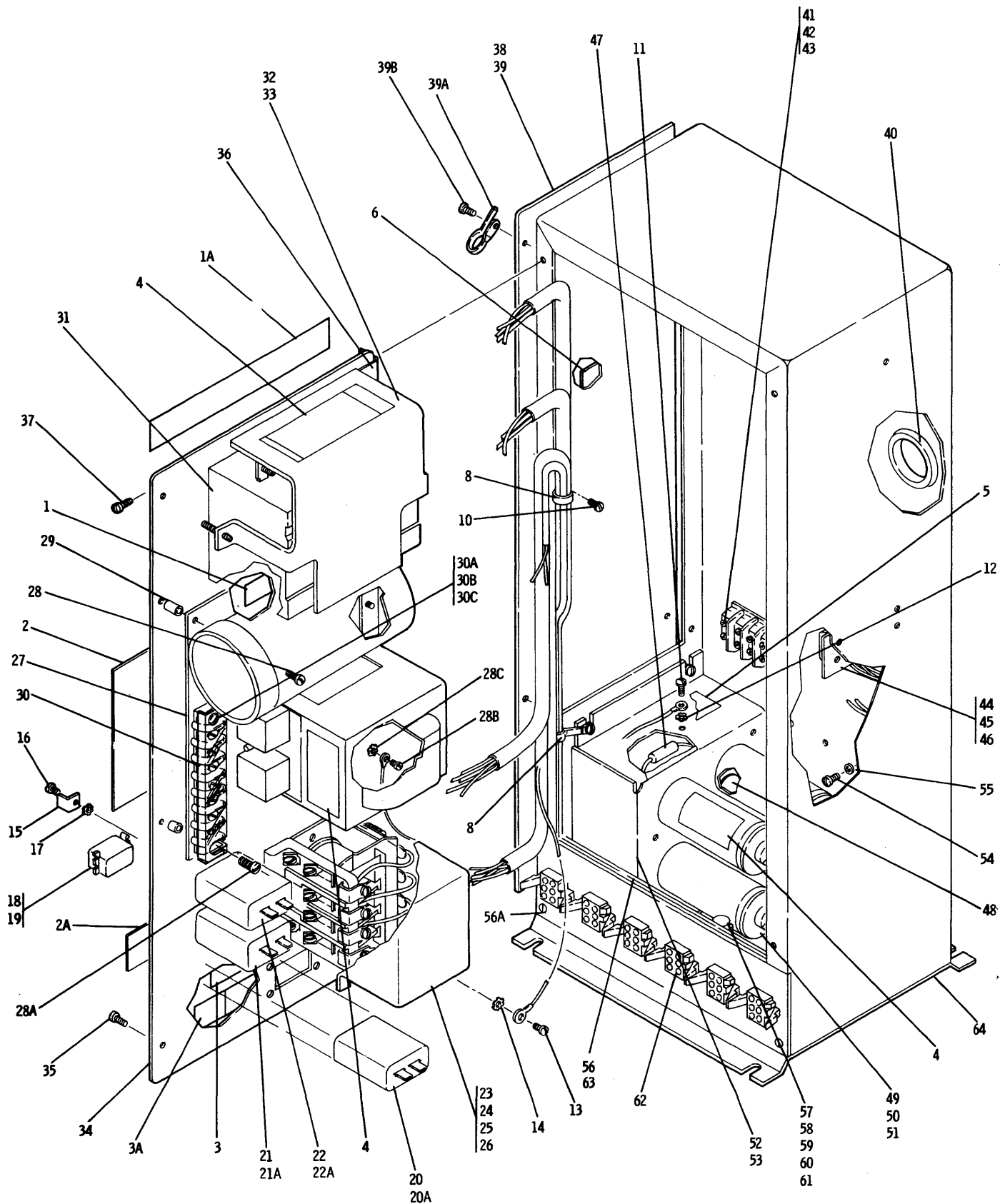


FIGURE 11. SYSTEM 360/370/50HZ AC BOX ASSEMBLIES. SEE LIST 11.

LIST AND INDEX	PART NUMBER	QTY.	DESCRIPTION
SYSTEM 360/370/50HZ AC BOX ASSEMBLIES			
11 -	2524824	(REF)	AC BOX ASSEMBLY, 50HZ USED ON 3411, MODEL 2
-	2524826	(REF)	AC BOX ASSEMBLY, 50HZ USED ON 3411, MODEL 3 FOR NEXT HIGHER ASM SEE LIST 7-39 FOR ILLUSTRATION SEE FIG 11
- 1	474806	(1)	• LABELS, FUSE
- 1 A	5236793	(1)	• LABEL, HAZARDOUS AREA
- 2	2524880	(2)	• LABEL-VOLTAGE
- 2 A	2503929	(1)	• LABEL, MAIN LINE SWITCH
- 3	5397579	(1)	• NAMEPLATE, LINE FILTER
- 3 A	845762	(1)	• LABEL, VOLTAGE
- 4	138754	(3)	• DECAL,INST-LINE V PRESENT W/MACH PWR OFF
- 5	646007	(1)	• LABEL, GROUND WARNING
- 6	369207	(1)	• LABEL, VOLTAGE
- 8	532393	(2)	• CLAMP-ADJUSTABLE CABLE
- 10	10170	(1)	• SCREW-MACH,BIND HD NO. 6-32 X .250 LG
- 11	58207	(1)	• SCREW, BD HD MACH-8-32 NC-2A X .250 LG
- 12	55901	(1)	• LOCKWASHER, EXTERNAL TOOTH
- 13	55726	(1)	• SCREW,MACH-BIND HD 6-32 X .188 LG
- 14	56722	(1)	• WASHER-LOCK,EXT T, .150 ID
- 15	5271288	(1)	• TERMINAL,FIXED TAB
- 16	251970	(1)	• SCREW-MACH BD. HD. 4-40 X 1/4 LG
- 17	338169	(1)	• WASHER,LOCK-EXT TEETH NO. 4 X 9/32 OD
- 18	523269	(1)	• CONNECTOR, 6 POS
- 19	251970	(2)	• SCREW-MACH BD. HD. 4-40 X 1/4 LG
- 20	2513489	(1)	• CIRCUIT PROTECTOR, 1/2 AMP-24V
- 20 A	122592	(1)	• LOCKWASHER
- 21	2524613	(1)	• CIRCUIT PROTECTOR,12A-250V
- 21 A	516919	(1)	• LOCKWASHER
- 22	2524831	(1)	• CIRCUIT PROTECTOR, 15AMP 250V USED ON 50HZ, MODEL 2
- 22	5180400	(1)	• CIRCUIT PROTECTOR, 20AMP, 250V USED ON 50HZ, MODEL 3
- 22 A	516919	(1)	• LOCKWASHER
- 23	2524857	(1)	• COVER, CONTACTOR
- 24	55726	(2)	• SCREW,MACH-BIND HD 6-32 X .188 LG
- 25	2588425	(1)	• CONTACTOR
- 26	34512	(3)	• SCREW,MACH-BIND HD 8-32 X 3/8 LG
- 27	2524830	(1)	• BOARD ASSEMBLY, POWER CONTROL CIRCUIT FOR DETAIL BREAKDOWN SEE LIST 13
- 28	322551	(2)	• SCREW
- 28 A	438570	(1)	• SCREW
- 28 B	322552	(1)	• SCREW
- 28 C	56722	(1)	• LOCKWASHER, EXTERNAL TOOTH
- 29	323656	(4)	• SPACER
- 30	2524833	(1)	• SHIELD, TERMINAL BOARD
- 30 A	438568	(1)	• SCREW,MACH-UNDRCT BIND HD 6-32 X 1-1/8
- 30 B	257187	(1)	• NUT-HEX NO. 6-32 NC
- 30 C	1145301	(1)	• WASHER, NON-METALIC
- 31	4117271	(1)	• CIRCUIT BREAKER, 25A, 408V, 4 POLE
- 32	2524858	(1)	• BRACKET, CIRCUIT BREAKER
- 33	438568	(2)	• SCREW,MACH-UNDRCT BIND HD 6-32 X 1-1/8
- 34	2524827	(NR)	• COVER, FRONT, AC BOX
- 35	55726	(2)	• SCREW,MACH-BIND HD 6-32 X .188 LG
- 36	2524711	(1)	• HINGE, FRONT COVER, AC BOX
- 37	55726	(7)	• SCREW,MACH-BIND HD 6-32 X .188 LG
- 38	2524717	(1)	• COVER, SIDE, AC BOX
- 39	55726	(5)	• SCREW,MACH-BIND HD 6-32 X .188 LG
- 39 A	532393	(1)	• CLAMP, ADJUSTABLE CABLE
- 39 B	38235	(1)	• SCREW MACH 6/32 X .310 LG
- 40	338327	(1)	• GROMMET,RUB-FOR 1-1/4 HOLE X 1/16 PNL
- 41	320451	(1)	• TERMINAL BOARD- 10 DBL SCREW TERMINALS
- 42	5528	(4)	• SCREW,MACH BIND HD 8-32 X .625 LG
- 43	550578	(1)	• MARKER STRIP- 10 POS NOS. 1 THRU 10

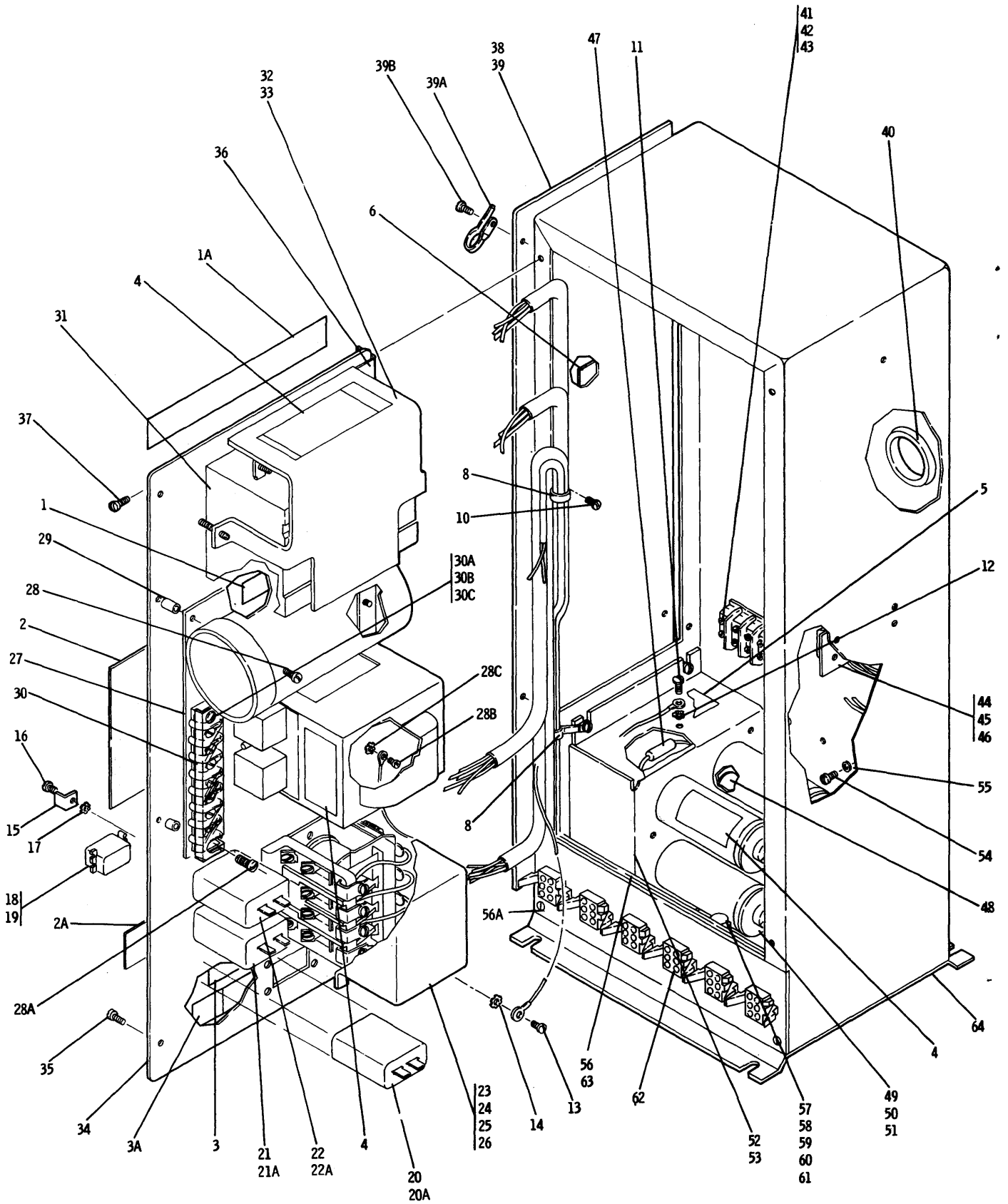


FIGURE 11. SYSTEM 360/370/50HZ AC BOX ASSEMBLIES. SEE LIST 11.

LIST AND INDEX	PART NUMBER	QTY.	DESCRIPTION
- 44	323841	(1)	• TERMINAL BOARD- 3 DBL SCREW TERMINALS
- 45	35739	(4)	• SCREW,MACH-BIND HD 6-32 X 15/16 LG
- 46	323681	(1)	• MARKER STRIP- 3 POS NOS. 1 THRU 3
- 47	2510920	(3)	• RESISTOR, 1 MEG-1W POSITION R1, R2, R3
- 47	2524614	(1)	• RESISTOR, 1 MEG-1W POSITION R4
- 48	342250	(1)	• ADAPTER,CABLE TO CONNECTOR
- 49	5213430	(4)	• CAPACITOR,FIXED,MYLAR-0.5 UF 600V
- 50	34512	(8)	• SCREW,MACH-BIND HD 8-32 X 3/8 LG
- 51	55901	(8)	• LOCKWASHER, EXTERNAL TOOTH
- 52	2524842	(1)	• SHIELD, CAPACITOR MTG.
- 53	186759	(3)	• SCREW,MACH-BIND HD 8-32 X 5/16 LG
- 54	28413	(AR)	• SCREW,MACH-BIND HD 10-32 X 5/16 LG
- 54	186759	(AR)	• SCREW,MACH-BIND HD 8-32 X 5/16 LG
- 55	56079	(AR)	• LOCKWASHER,EXT TH .204ID X .410OD
- 55	55901	(AR)	• LOCKWASHER,EXT TH .176ID X .381OD
- 56	2524894	(1)	• PLATE
- 56A	10170	(2)	• SCREW
- 62	5214995	(NR)	• SOCKET HOUSING, 6CKT
- 63	2524721	(NP)	• CARD, AC DISTRIBUTION
- 64	2524715	(NP)	• CHASSIS, MAIN AC BOX

END OF LIST 11.

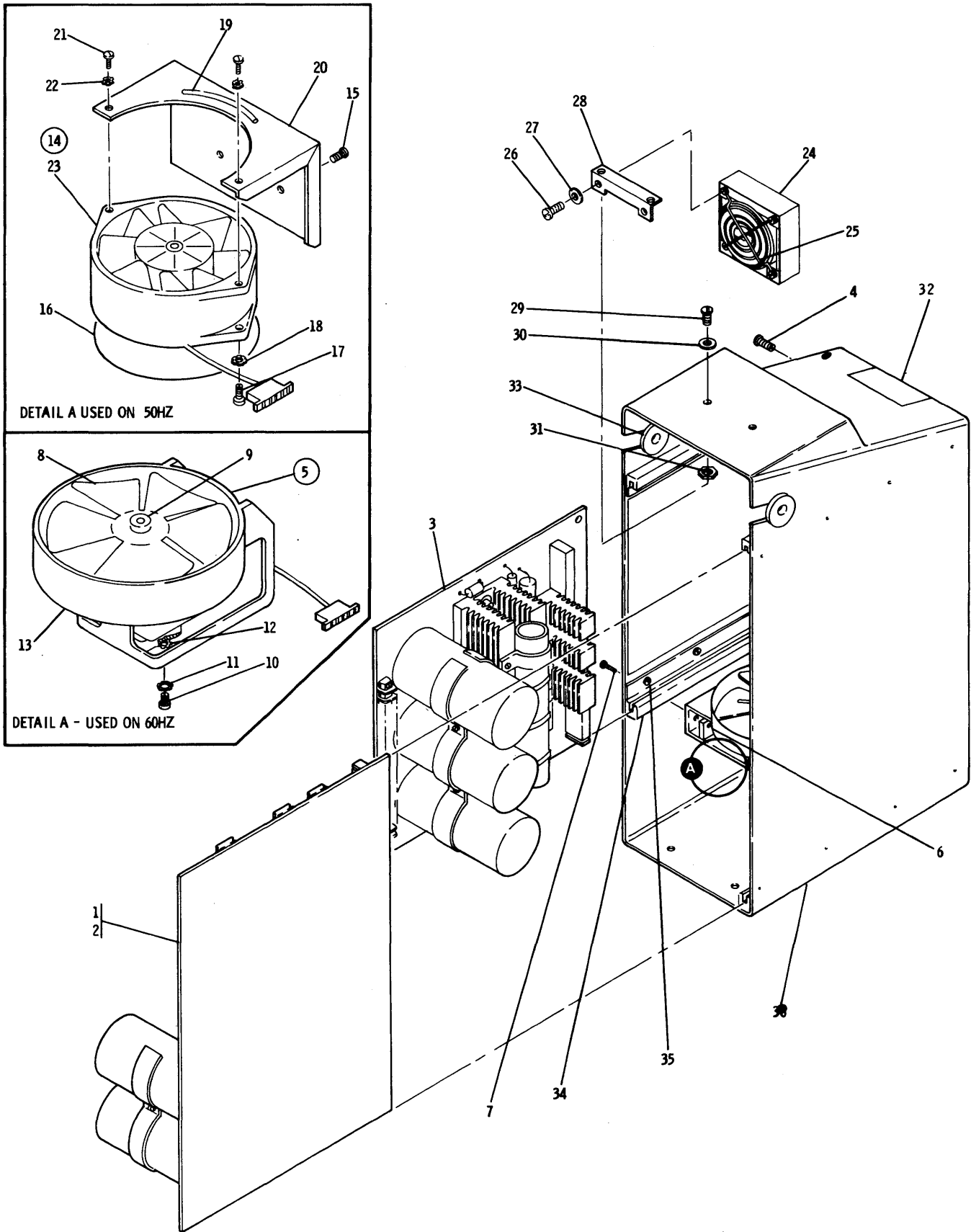


FIGURE 12. 50/60 HZ DC BOX ASSEMBLIES. SEE LIST 12.



LIST AND INDEX	PART NUMBER	QTY.	DESCRIPTION
50/60HZ DC BOX ASSEMBLIES			
12 -	2524701	(NP)	DC BOX ASSEMBLY, 60HZ USED ON ALL MODELS
-	2524703	(NP)	DC BOX ASSEMBLY, 50HZ USED ON ALL MODELS FOR NEXT HIGHER ASM SEE LIST 7-43 FOR ILLUSTRATION SEE FIG. 12
- 1	2524740	(REF)	• BOARD, CIRCUIT, 5V, 6V USED ON 50/60 HZ MODELS 1 AND 2
- 1	2524800	(REF)	• BOARD, CIRCUIT, 5V, 6V USED ON 50/60 HZ MODEL 3 FOR DETAIL BREAKDOWN SEE LIST 14
- 2	58207	(REF)	• SCREW, BD HD MACH-8-32 NC-2A X .250 LG
- 3	2524747	(REF)	• BOARD, CIRCUIT, -4V FOR DETAIL BREAKDOWN SEE LIST 15
- 4	322550	(REF)	• SCREW, MACH-BIND HD 6-32 X 1/2 LG
- 5	2524837	(1)	• FAN ASSEMBLY, 60HZ USED ON 60 HZ ONLY
- 6	2524728	(1)	• BRACKET
- 7	332620	(3)	• SCREW, MACH-BIND HD 10-32X1/2 LG
- 8	5357066	(NR)	• • BLADE, FAN
- 9	5357063	(NR)	• • MOTOR, 208V/230V-60HZ
- 10	28413	(2)	• • SCREW, MACH-BIND HD 10-32 X 5/16 LG
- 11	9092	(1)	• • LOCKWASHER, EXT TEETH
- 12	56079	(1)	• • WASHER, LOCK-EXT TEETH .204 ID .410 OD
- 13	2524805	(1)	• • HOUSING, FAN
- 14	2524883	(1)	• FAN ASSEMBLY, 50HZ USED ON 50 HZ ONLY
- 15	332620	(3)	• SCREW, MACH-BIND HD 10-32 X 1/2 LG
- 16	8039045	(1)	• • GUARD, FAN
- 17	332620	(2)	• • SCREW, MACH-BIND HD 10-32 X 1/2 LG
- 18	56121	(2)	• • WASHER, LOCK-INT TEETH NO. 10 X 0.381 OD
- 19	8039045	(1)	• • GUARD, FAN
- 20	2524882	(1)	• • BRACKET, FAN MTG. 50HZ
- 21	332620	(2)	• • SCREW, MACH BIND HD 10-32 X 1/2 LG
- 22	56121	(2)	• • WASHER, LOCK-INT TEETH NO. 10X.381 OD
- 23	4241435	(NR)	• • FAN, 50 HZ USED ON 50 HZ
- 24	2503537	(1)	• FAN, 60HZ USED ON 60 HZ SEE LIST 5, INDEX 1 FOR BREAKDOWN
- 24	4827369	(1)	• FAN, 50HZ USED ON 50 HZ SEE LIST 5, INDEX 1 FOR BREAKDOWN
- 25	2172166	(1)	• GUARD, 60HZ USED ON 60 HZ
- 25	2417512	(1)	• GUARD, 50HZ USED ON 50 HZ
- 26	35739	(4)	• SCREW, MACH BIND HD 6-32 X 15/16 LG
- 27	56722	(4)	• LOCKWASHER, EXTERNAL TOOTH
- 28	2517766	(1)	• BRACKET, FAN MTG
- 29	28413	(2)	• SCREW, MACH-BIND HD 10-32 X 5/16 LG
- 30	56079	(2)	• WASHER, LOCK-EXT TEETH .204 ID .410 OD
- 31	11598	(AR)	• NUT, PLAIN HEX 10-32
- 32	2522403	(1)	• LABEL, WARNING
- 33	198981	(2)	• GROMMET, RUBBER
- 34	2524726	(4)	• SLIDE
- 35	38442	(16)	• SCREW, MACH-FL CSK HD 6-32 X 1/4 LG
- 36	2524724	(NP)	• CHASSIS, DC SECTION

END OF LIST 12.

FOR CABLE ASM'S AND COMPONENT PARTS SEE LIST 16

ORDER SHIELD AND TB MOUNTING HARDWARE WHEN ORDERING ASSEMBLY

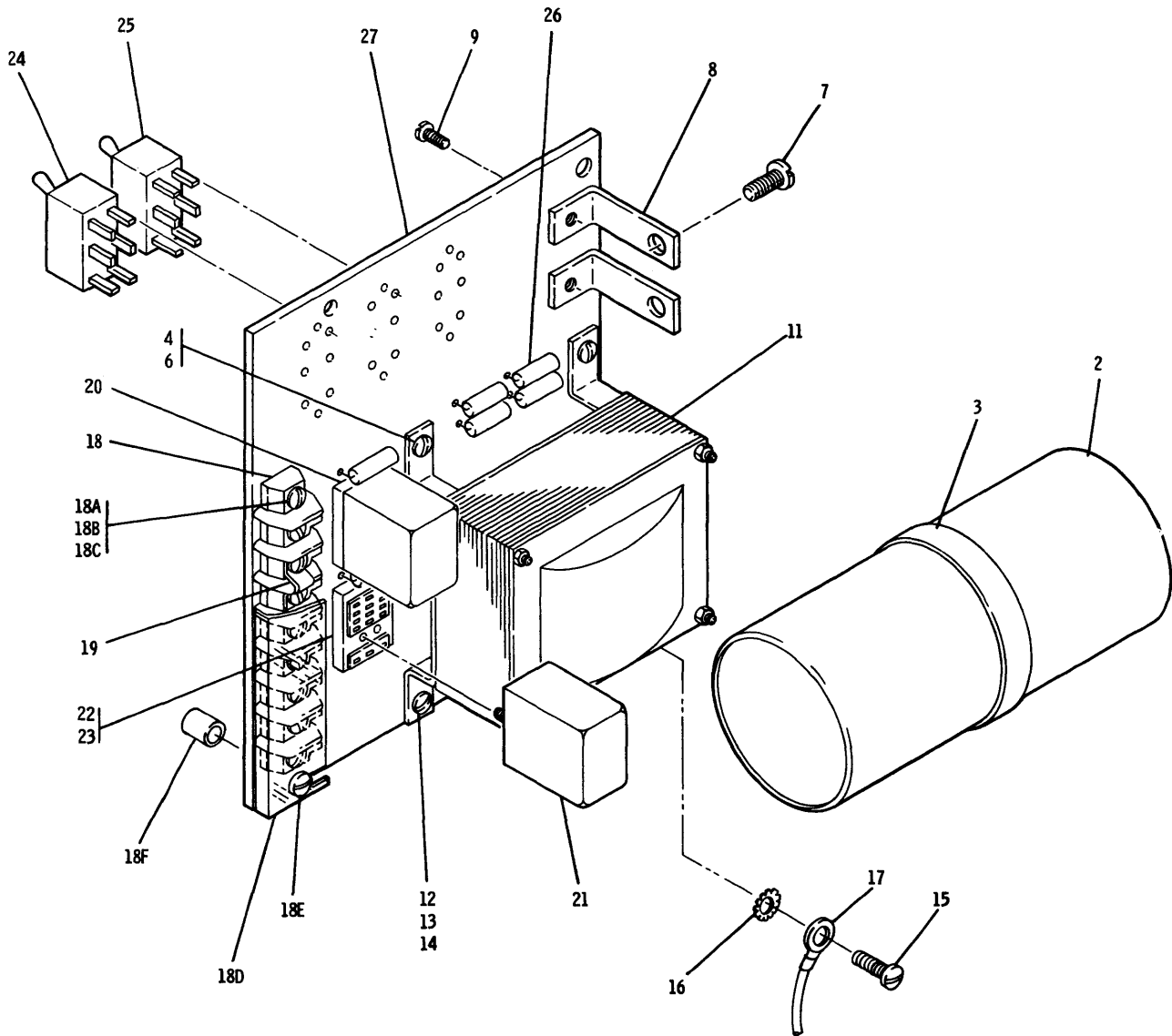


FIGURE 13. POWER CONTROL ASSEMBLY 50/60 HZ. (360/370 ONLY). SEE LIST 13.

LIST AND INDEX	PART NUMBER	QTY.	DESCRIPTION
POWER CONTROL ASSEMBLY (360/370 ONLY)			
13 -	2524730	(REF)	POWER CONTROL ASSEMBLY, 60HZ USED ON 60HZ MODELS ONLY
-	2524830	(REF)	POWER CONTROL ASSEMBLY, 50HZ USED ON 50HZ MODELS ONLY FOR NEXT HIGHER ASM SEE LIST 9-22, 11-27 FOR ILLUSTRATION SEE FIG. 13
- 2	208238	(1)	• CAPACITOR,ELE 10,000 MFD P 100 M 10 PCT
- 3	2524716	(1)	• CLAMP, CAPACITOR
- 4	35739	(1)	• SCREW
- 6	257187	(1)	• NUT
- 7	28413	(2)	• SCREW,MACH-BIND HD 10-32 X 5/16 LG
- 8	2524754	(2)	• BRACKET, CAPACITOR MTG.
- 9	10170	(2)	• SCREW-MACH,BIND HD NO. 6-32 X .250 LG
- 11	2521480	(1)	• TRANSFORMER, 24VDC, 60HZ USED ON 60HZ MODELS ONLY
- 11	2521482	(1)	• TRANSFORMER,RECTIFIER CONTROLLED USED ON 50HZ MODELS ONLY
- 12	38235	(1)	• SCREW MACH 6/32 X .310 LG
- 13	257187	(1)	• NUT-HEX NO. 6-32 NC
- 14	344167	(1)	• WASHER, FIBER
- 15	438567	(REF)	• SCREW, BIND HD 6-32 X 1 LG
- 16	56722	(REF)	• LWASHER, EXT TH .150 ID
- 17	5759133	(REF)	• JUMPER
- 18	2521528	(1)	• BLOCK,TERMINAL
- 18A	438568	(REF)	• SCREW, MACH BIND HD 6-32 X 1 1/8 LG
- 18B	257187	(REF)	• NUT, HEX 10-32
- 18C	1145301	(REF)	• WASHER, FIBER
- 18D	2524883	(REF)	• SHIELD, TERMINAL BOARD
- 18E	438571	(REF)	• SCREW, BIND HD 6-32 X 1 3/4 LG
- 18F	195846	(REF)	• SPACER
- 19	472187	(1)	• JUMPER-BRASS
- 20	5318968	(1)	• RELAY-4 PDT
- 21	5318969	(1)	• RELAY-4 PDT
- 22	5214120	(2)	• SOCKET
- 23	5318966	(2)	• RETAINER-RELAY
- 24	2524771	(2)	• SWITCH
- 24A	438548	(4)	• SCREW
- 25	2524772	(1)	• SWITCH
- 25A	438548	(2)	• SCREW
- 26	2111232	(6)	• DIODE,SEMICONDUCTOR-TYPE AM
- 27	2524776	(NP)	• CARD, POWER SEQUENCING BOARD

END OF LIST 13.

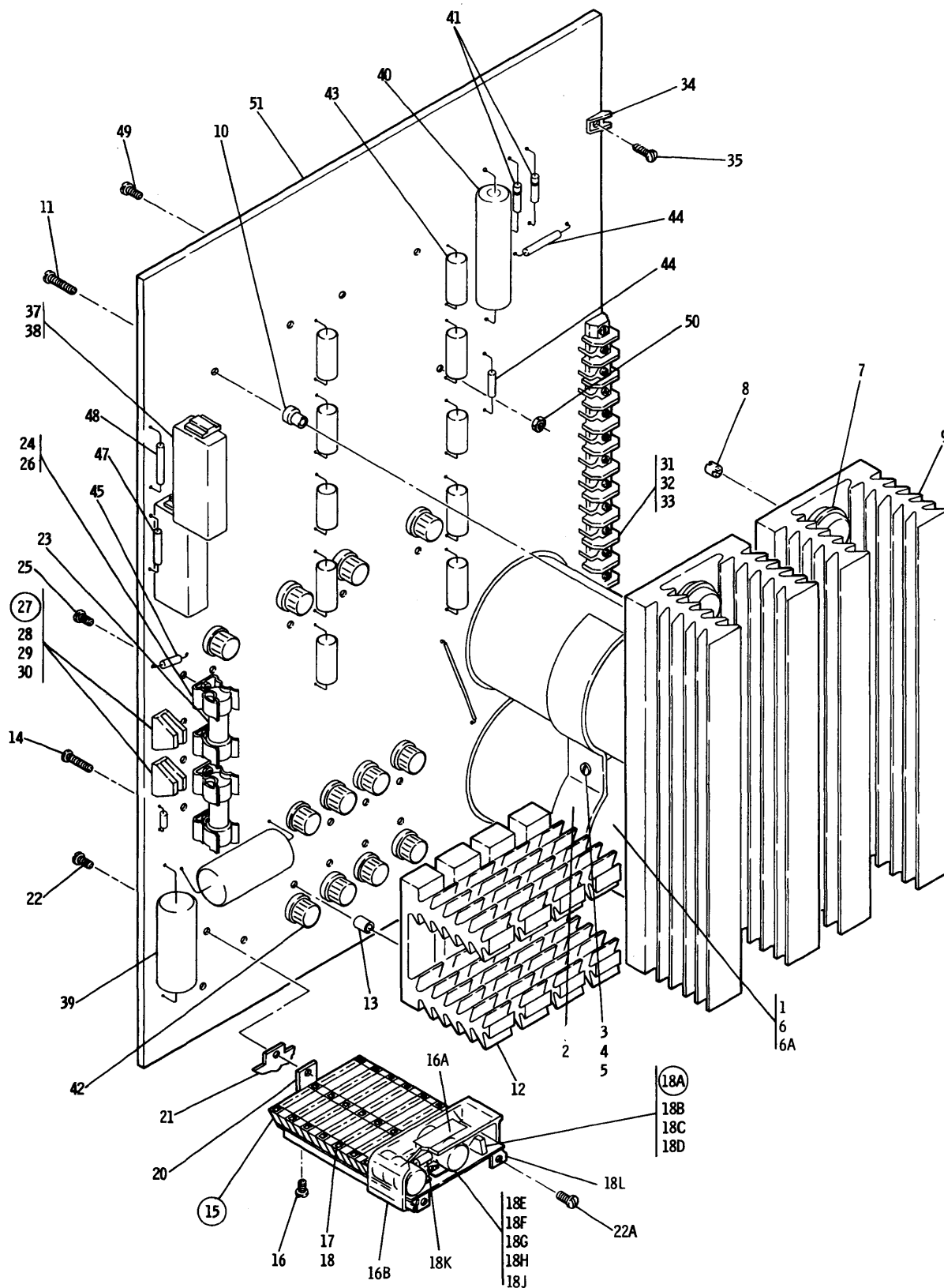


FIGURE 14. CIRCUIT BOARD ASSEMBLY. SEE LIST 14.

LIST AND INDEX	PART NUMBER	QTY.	DESCRIPTION
CIRCUIT BOARD ASSEMBLY			
14 -	2524808	(REF)	CIRCUIT BOARD ASSEMBLY USED ON 50/60 HZ - MODEL 1
-	2524740	(REF)	CIRCUIT BOARD ASSEMBLY USED ON 50/60 HZ - MODEL 2
-	2524800	(REF)	CIRCUIT BOARD ASSEMBLY USED ON 50/60 HZ MODEL 3 FOR NEXT HIGHER ASM SEE LIST 7-44B FOR ILLUSTRATION SEE FIG. 14
- 1	5796393	(2)	• CAPACITOR,CAN TYPE-120KUF 15VDC
- 2	2524746	(2)	• CLAMP, CAPACITOR
- 3	438590	(1)	• SCREW,MACH-BIND HD 8-32 X 1-3/4 LG
- 4	55901	(1)	• LOCKWASHER, EXTERNAL TOOTH
- 5	257189	(1)	• NUT, HEX 8-32
- 6	32617	(4)	• SCREW, MACH BD HD 10-32 NF X .4375 LG
- 6A	56079	(4)	• WASHER
- 7	369214	(12)	• TRANSISTOR,TYPE 108
- 8	2524769	(12)	• RETAINER
- 9	2524745	(2)	• HEATSINK, 6 TRANSISTOR, 2 DIODE
- 10	2521519	(8)	• SPACER
- 11	81693	(8)	• SCREW,MACH-BIND HD 6-32 X 3/8 LG
- 12	2524742	(2)	• HEATSINK, DIODE USED ON MODELS 1 AND 2
- 12	2524742	(4)	• HEATSINK, DIODE USED ON MODEL 3 ONLY
- 13	2145165	(4)	• SPACER USED ON MODELS 1 AND 2
- 13	2145165	(8)	• SPACER USED ON MODEL 3 ONLY
- 14	322065	(4)	• SCREW,MACH-BIND HD 6-32 X 5/8 LG USED ON MODELS 1 AND 2
- 14	322065	(8)	• SCREW,MACH-BIND HD 6-32 X 5/8 LG USED ON MODEL 3 ONLY
- 15	2524838	(1)	• BOARD ASSEMBLY, CONNECTOR USED ON MODELS 2 & 3
- 15	2524794	(1)	• BOARD ASSEMBLY, CONNECTOR USED ON MODEL 1
- 16	186759	(3)	• SCREW,MACH-BIND HD 8-32 X 5/16 LG
- 16A	1766193	(1)	• LABEL
- 16B	2524834	(1)	• COVER, SNAP ON USED ON MODELS 2 & 3
- 16B	2524818	(1)	• COVER, SNAP ON USED ON MODEL 1
- 17	2504118	(AR)	• • PIN, POWER POLE
- 18	2523604	(AR)	• • HOUSING, CONNECTER
- 18A	2524741	(2)	• • HOUSING ASSEMBLY, LAMP
- 18B	2391022	(1)	• • • LAMP
- 18C	1524727	(1)	• • • RETAINER, LAMP
- 18D	2524753	(2)	• • • PIN
- 18E	2524739	(2)	• • FUSE, 24VDC
- 18F	2524884	(4)	• • STUD
- 18G	11598	(4)	• • NUT PLAIN HEX 10/32
- 18H	56121	(4)	• • WASHER,LOCK-INT TEETH NO. 10 X 0.381 OD
- 18J	56079	(4)	• • STAR WASHER
- 18K	322888	(2)	• • RESISTOR, 100 OHM
- 18L	2524839	(NP)	• • CARD
- 20	2524832	(1)	• BRACKET, CIRCUIT BOARD MTG.
- 21	2524841	(1)	• INSULATOR
- 22	186759	(3)	• SCREW,MACH-BIND HD 8-32 X 5/16 LG
- 22A	58207	(REF)	• SCREW, MACH BIND HD 8-32 X 1/4 LG
- 23	2524719	(2)	• FUSE, 25AMP, 125V POS F1, F2
- 24	322585	(4)	• CLIP,ELECTRICAL-FOR 13/32 DIA FUSE
- 25	38235	(4)	• SCREW MACH 6/32 X .310 LG
- 26	257187	(4)	• NUT-HEX NO. 6-32 NC
- 27	2524741	(2)	• HOUSING ASSEMBLY, LAMP

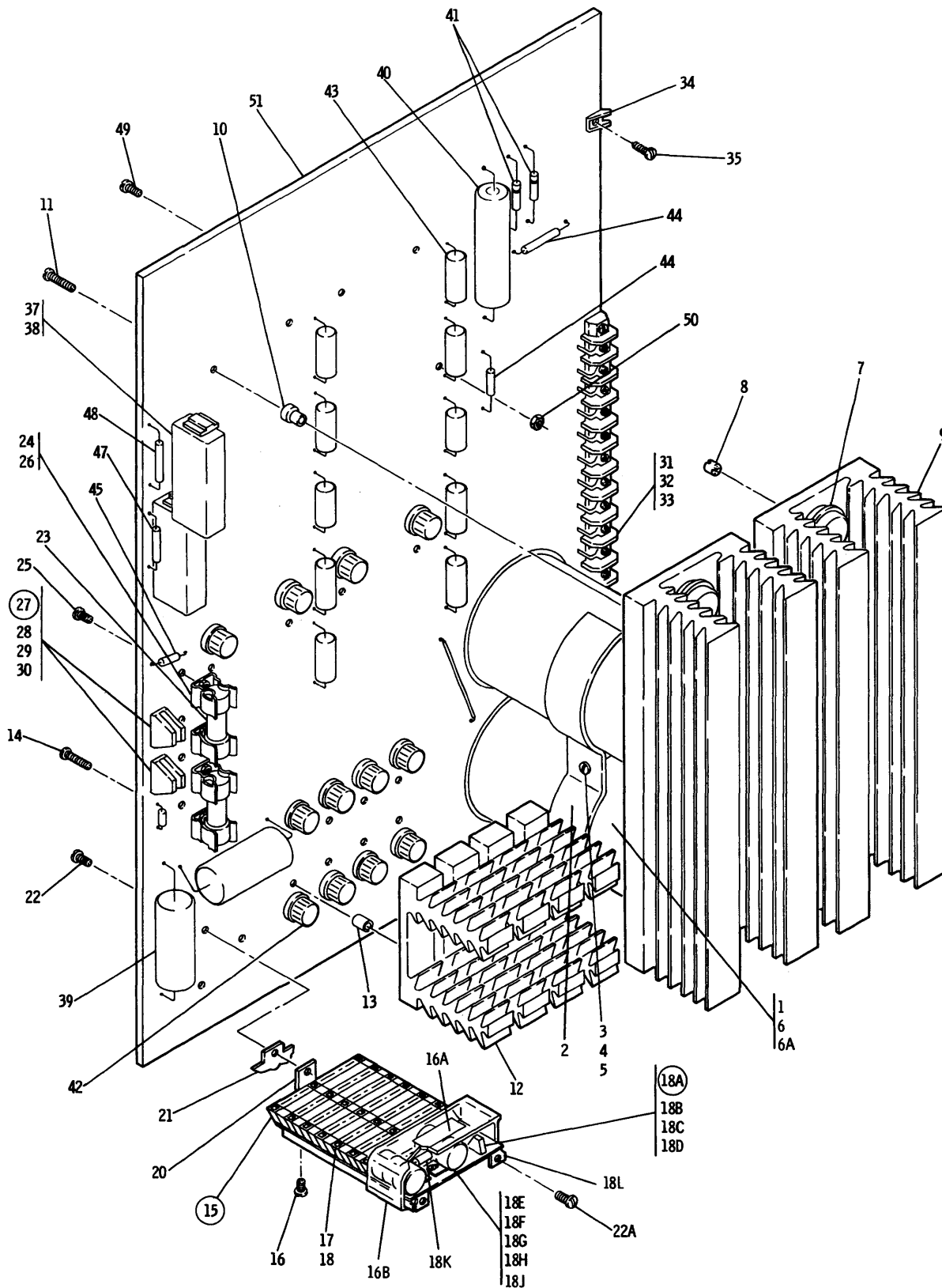


FIGURE 14. CIRCUIT BOARD ASSEMBLY. SEE LIST 14.

LIST AND INDEX	PART NUMBER	QTY.	DESCRIPTION
- 28	2391022	(1)	• • LAMP
- 29	1524727	(1)	• • RETAINER, LAMP
- 30	2524753	(2)	• • PIN
- 31	2524743	(1)	• BLOCK, 18 POSITION, TERMINAL
- 32	19944	(2)	• SCREW, MACH BIND HD 8-32 X .625 LG
- 33	257189	(2)	• NUT, HEX 8-32
- 34	2524600	(1)	• TERMINAL, CLIP ON
- 35	38235	(1)	• SCREW MACH 6/32 X .310 LG
- 37	2513447	(2)	• BLOCK
- 38	1149420	(4)	• SPACER
- 39	5214218	(2)	• CAPACITOR, 2.7KUF, 20VDC POS C2, C4
- 40	609391	(1)	• CAPACITOR, 500MF, 25V POS C5
- 41	2111232	(2)	• DIODE, SEMICONDUCTOR-TYPE AM
- 42	2392039	(8)	• RECTIFIER POS CR1-CR8 USED ON ALL MODELS
- 42	2392039	(12)	• RECTIFIER POS CR1-CR8, CR11-CR14 USED ON MODEL 3 ONLY
- 43	207324	(10)	• RESISTOR, FXD, WW- 0.1 OHM P/M 5% 5W POS R1-R10
- 44	216987	(2)	• RESISTOR, FXD-COMP- 82 OHMS P/M 5% 2W POS R11-R14
- 45	216985	(1)	• RESISTOR, FIXED 68 OHMS-2W POS R12
- 46	216986	(1)	• RESISTOR, FXD COMP, 75 OHMS 2 WATTS POS R13
- 47	479102	(1)	• RESISTOR, 976 OHMS 1/8W POS R15
- 48	479110	(1)	• RESISTOR, 1.33 KOHMS 1/8W POS R16
- 49	10170	(1)	• SCREW-MACH, BIND HD NO. 6-32 X .250 LG
- 50	1127722	(1)	• NUT, HEX-CASE HARDENED 6-32 X .078 IN. TH
- 51	2524744	(NP)	• CARD, 5V AND 6V

END OF LIST 14.

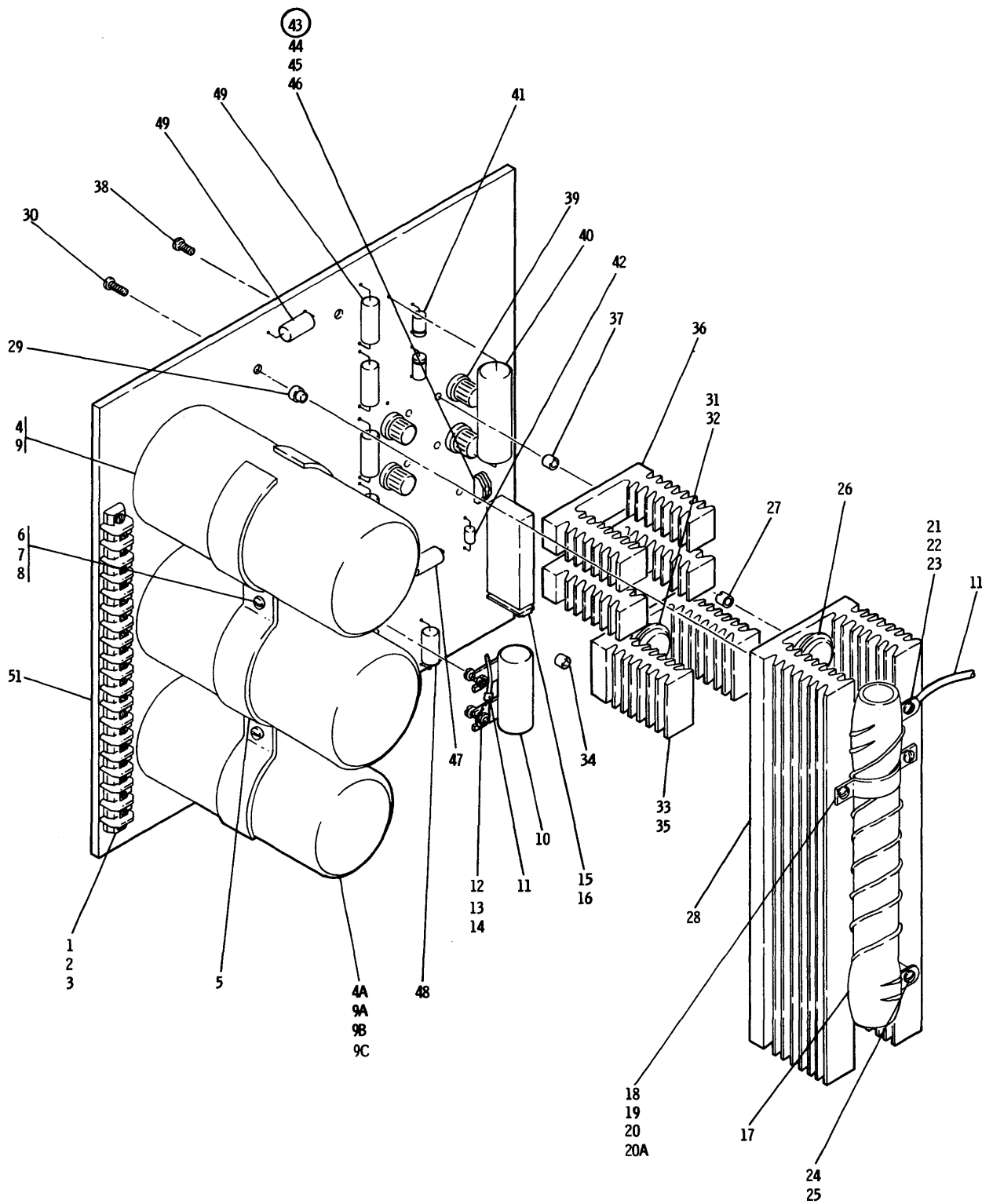


FIGURE 15. CIRCUIT BOARD ASSEMBLY 4VDC. SEE LIST 15.



LIST AND INDEX	PART NUMBER	QTY.	DESCRIPTION
CIRCUIT BOARD ASSEMBLY 4V DC			
15 -	2524747	(REF)	CIRCUIT BOARD ASSEMBLY, 4V DC FOR NEXT HIGHER ASM SEE LIST 12-3 FOR ILLUSTRATION SEE FIG. 15
- 1	2524743	(1)	• BLOCK, 18 POSITION, TERMINAL
- 2	5528	(2)	• SCREW, MACH BIND HD 8-32 X .625 LG
- 3	257189	(2)	• NUT, HEX 8-32
- 4	5796393	(2)	• CAPACITOR, CAN TYPE-120KUF 15VDC
- 4A	5214372	(1)	• CAPACITOR, CAN TYPE-18KUF 25VDC
- 5	2524748	(1)	• CLAMP, CAPACITOR
- 6	438589	(2)	• SCREW, MACH-BIND HD 8-32 X 1-1/2 LG
- 7	55901	(2)	• LOCKWASHER, EXTERNAL TOOTH
- 8	257189	(2)	• NUT, HEX 8-32
- 9	32617	(4)	• SCREW, MACH BD HD 10-32 NF X .4375 LG
- 9A	56079	(4)	• WASHER
- 9B	32042	(2)	• SCREW, BIND HD 10-32 X 3/8 LG
- 9C	56079	(2)	• WASHER, LOCK EXT TH .204 ID X .410 OD
- 10	2524739	(1)	• FUSE, 24VDC
- 11	5758716	(1)	• JUMPER
- 12	32617	(2)	• SCREW, MACH BD HD 10-32 NF X .4375 LG
- 13	56079	(2)	• WASHER-LOCK, EXT T .204 ID .410 OD
- 14	11598	(2)	• NUT PLAIN HEX 10/32
- 15	2513447	(2)	• BLOCK
- 16	1149420	(2)	• SPACER
- 17	2524847	(1)	• RESISTOR, FIXED, .50HM, 300W
- 18	2521520	(1)	• CLAMP
- 19	2521521	(1)	• CLAMP
- 20	81693	(2)	• SCREW, MACH BIND HD 6-32 X 3/8 LG
- 20A	11598	(2)	• NUT, PLAIN HEX 10-32
- 21	28413	(1)	• SCREW, MACH-BIND HD 10-32 X 5/16 LG
- 22	56079	(1)	• WASHER-LOCK, EXT T .204 ID .410 OD
- 23	11598	(1)	• NUT, PLAIN HEX 10/32
- 24	152989	(1)	• COLLAR
- 25	19944	(1)	• SCREW, MACH BIND HD 8-32 X .625 LG
- 26	369214	(7)	• TRANSISTOR, TYPE 108
- 27	2524769	(7)	• RETAINER
- 28	2521467	(1)	• HEATSINK
- 29	2521519	(3)	• SPACER
- 30	81693	(4)	• SCREW, MACH-BIND HD 6-32 X 3/8 LG
- 31	369214	(1)	• TRANSISTOR, TYPE 108
- 32	2524769	(1)	• RETAINER
- 33	2523092	(1)	• HEATSINK
- 34	2145165	(2)	• SPACER
- 35	322065	(2)	• SCREW, MACH-BIND HD 6-32 X 5/8 LG
- 36	2524742	(2)	• HEATSINK, DIODE
- 37	2145165	(4)	• SPACER
- 38	322065	(4)	• SCREW, MACH-BIND HD 6-32 X 5/8 LG
- 39	2392039	(4)	• RECTIFIER
- 40	609391	(1)	• CAPACITOR, 500MF, 25V
- 41	2111232	(2)	• DIODE, SEMICONDUCTOR-TYPE AM
- 42	479090	(1)	• RESISTOR, 604 OHMS, 1/8W
- 43	2524741	(1)	• HOUSING ASSEMBLY, LAMP
- 44	2391022	(1)	• • LAMP
- 45	2524727	(1)	• • RETAINER, LAMP
- 46	2524753	(2)	• • PIN
- 47	132778	(1)	• RESISTOR, FXD, COMP- 62 OHMS P/M 5% 1W
- 48	132773	(1)	• RESISTOR, FIXED
- 49	207324	(7)	• RESISTOR, FXD, WW- 0.1 OHM P/M 5% 5W
- 50	5214218	(1)	• CAPACITOR, 2.7KUF, 20VDC
- 51	2524749	(NP)	• CARD, 4V CBM

END OF LIST 15.

LIST AND INDEX	PART NUMBER	QTY.	DESCRIPTION
CABLE ASSEMBLIES AND COMPONENT PARTS			
16 -	1703130	(AR)	CABLE ASM, MOTION CONTROL BOARD FAN 3410/3411 MODEL 3 ONLY FOR COMPONENTS SEE INDEXES 1,7,7A,16
-	1766005	(AR)	CABLE ASM, 3411 POWER SUPPLY DC DISTRIBUTION FOR COMPONENTS SEE INDEXES 12,22, 23, 24, 25
-	1766006	(AR)	CABLE ASM, 3410 MACHINE DC DISTRIBUTION FOR COMPONENTS SEE INDEXES 12C,22, 23, 24, 25
-	1766007	(AR)	CABLE ASM, AC BOX DISTRIBUTION USED ON 360/370 60HZ MODELS 1,2,3 AND 50HZ MODEL 1 FOR COMPONENTS SEE INDEXES 6,8,8A, 12, 12D, 12G, 17A
-	1766008	(AR)	CORD ASM, 14FT POWER, DOMESTIC FOR COMPONENTS SEE INDEXES 8, 8A, 12B 12F, 33
-	1766009	(AR)	CORD ASM, 14FT POWER, UK FOR COMPONENTS SEE INDEXES 8, 8A
-	1766010	(AR)	CORD ASM, 14FT POWER, WTC FOR COMPONENTS SEE INDEXES 8, 8A
-	1766012	(AR)	CABLE ASM, AC BOX DISTRIBUTION USED ON 360/370 50HZ MOD 2 AND 3 FOR COMPONENTS SEE INDEXES 6,8A, 12, 12D, 12G, 12J, 12K, 17A
-	1766013	(AR)	CABLE ASM, AC BOX DISTRIBUTION USED ON SYS 3,115/125,3790 MOD1,2,3 FOR COMPONENTS SEE INDEXES 12F,21
-	1766015	(AR)	CABLE ASM, AC BOX DISTRIBUTION USED ON 360/370 50/60HZ MODEL 1 FOR COMPONENTS SEE INDEXES 12A,12F
-	1766016	(AR)	CABLE ASM, POWER SUPPLY FAN FOR COMPONENTS SEE INDEXES 7, 12F, 16
-	1766017	(AR)	CABLE ASM, CONTROLLER FAN FOR COMPONENTS SEE INDEXES 7, 12F, 16
-	1766018	(AR)	CABLE ASM, POWER CONTROL SEQUENCING FOR COMPONENT SEE INDEX 17C
-	1766019	(AR)	CABLE ASM, DC INTERFACE FOR COMPONENT SEE INDEX 12F
-	1766020	(AR)	CABLE ASM, DC POWER FOR COMPONENTS SEE INDEXES 12D, 12F, 15
-	1766028	(AR)	CABLE ASM, USAGE METER-3411 FOR COMPONENTS SEE INDEXES 2A,12 13, 15, 27
-	1766029	(AR)	CORD ASM, 14FT POWER, JAPAN USED ON 50HZ MOD 2 AND 3 FOR COMPONENTS SEE INDEXES 8, 8A
-	1766030	(AR)	CORD ASM, 6FT POWER, DOMESTIC FOR COMPONENTS SEE INDEXES 8, 8A 12D, 12F, 33
-	1766031	(AR)	CORD ASM, 14FT POWER, JAPAN/WTC USED ON 50HZ MOD 1-60HZ MOD1,2,3 FOR COMPONENTS SEE INDEXES 8, 8A 12B, 12D
-	1766336	(AR)	CABLE GROUP, 3410 ONLY. BUS IN/BUS OUT FOR RPQ 870080 ONLY ORDER FROM PLANT OF CONTROL ONLY
-	2518249	(AR)	CABLE ASM, USAGE METER-3410 FOR COMPONENTS SEE INDEXES 12B, 12F, 15, 15A, 27
-	2517561	(AR)	CABLE ASM, CAPACITIVE SENSE FOR COMPONENTS SEE INDEXES 13,

LIST AND INDEX	PART NUMBER	QTY.	DESCRIPTION
-	2518060	(AR)	14, 20 CABLE ASM, 3410/3411 MAIN MACHINE FOR COMPONENTS SEE INDEXES 2,9, 12A, 13A, 13B, 14A, 15,15A,16A,17B,18, 21A, 26, 29, 31, 34, 35
-	2518061	(AR)	CABLE ASM, 3410/3411 DC INTERNAL DISTRIBUTION FOR COMPONENTS SEE INDEXES 2,11, 12, 12A, 12E, 12H, 13D, 14A,17,21,22,23,30,39
-	2518069	(AR)	CABLE ASM, R/W VOLTAGE FOR COMPONENTS SEE INDEXES 4,5, 12, 12A, 19
-	2518070	(AR)	CABLE GROUP, 3410 ONLY. INCLUDES BUS IN/BUS OUT AND READ WRITE CABLES ORDER FROM PLANT OF CONTROL ONLY
-	2518071	(AR)	CABLE GROUP, 3411 ONLY. INCLUDES BUS IN/BUS OUT AND READ WRITE CABLES ORDER FROM PLANT OF CONTROL ONLY
-	2518072	(AR)	CABLE GROUP, 3410/3411 DUAL DENSITY FEATURE ORDER FROM PLANT OF CONTROL ONLY
-	2518246	(AR)	CABLE ASM, PNEUMATIC SUPPLY FOR COMPONENTS SEE INDEXES 1,7A, 12, 12F, 20A
-	2518247	(AR)	CABLE ASM, METER, TRANSPORT FAN AND VAC SUPPLY FOR COMPONENTS SEE INDEXES 7,12A, 12B, 16
-	2521860	(AR)	CABLE GROUP, 3411 ONLY. CHANNEL BUS IN/BUS OUT 360/370 ATTACHMENT ORDER FROM PLANT OF CONTROL ONLY
-	2521861	(AR)	CABLE GROUP, 3411 ONLY. CHANNEL BUS IN/BUS OUT SYS 3-115/125/3790/360/370 ORDER FROM PLANT OF CONTROL ONLY
-	2521865	(AR)	CABLE ASM, VOLTAGE DISTRIBUTION SINGLE BOARD GA FOR COMPONENTS SEE INDEXES 3,3A, 12F, 28, 32
-	2523263	(AR)	CABLE ASM, TACHOMETER FOR COMPONENTS SEE INDEXES 13A,36
-	2524853	(AR)	CABLE ASM, 3411 MACHINE AC DISTRIBUTION FOR COMPONENTS SEE INDEXES 7,13, 16, 37, 38, 40
-	2524854	(AR)	CABLE ASM, 3410 MACHINE AC DISTRIBUTION FOR COMPONENTS SEE INDEXES 12A,12E, 13C, 37, 38, 40
-	2518424	(AR)	CABLE ASM, METER TO METER CARD FOR COMPONENT SEE INDEX 15
-	2518524	(AR)	CABLE ASM, POWER ON-OFF FOR COMPONENTS SEE INDEXES 16A, 41, 42, 43
-	2517928	(AR)	CABLE ASM, FAN(RPQ 870080) FOR COMPONENTS SEE INDEXES 7, 12A, 12B

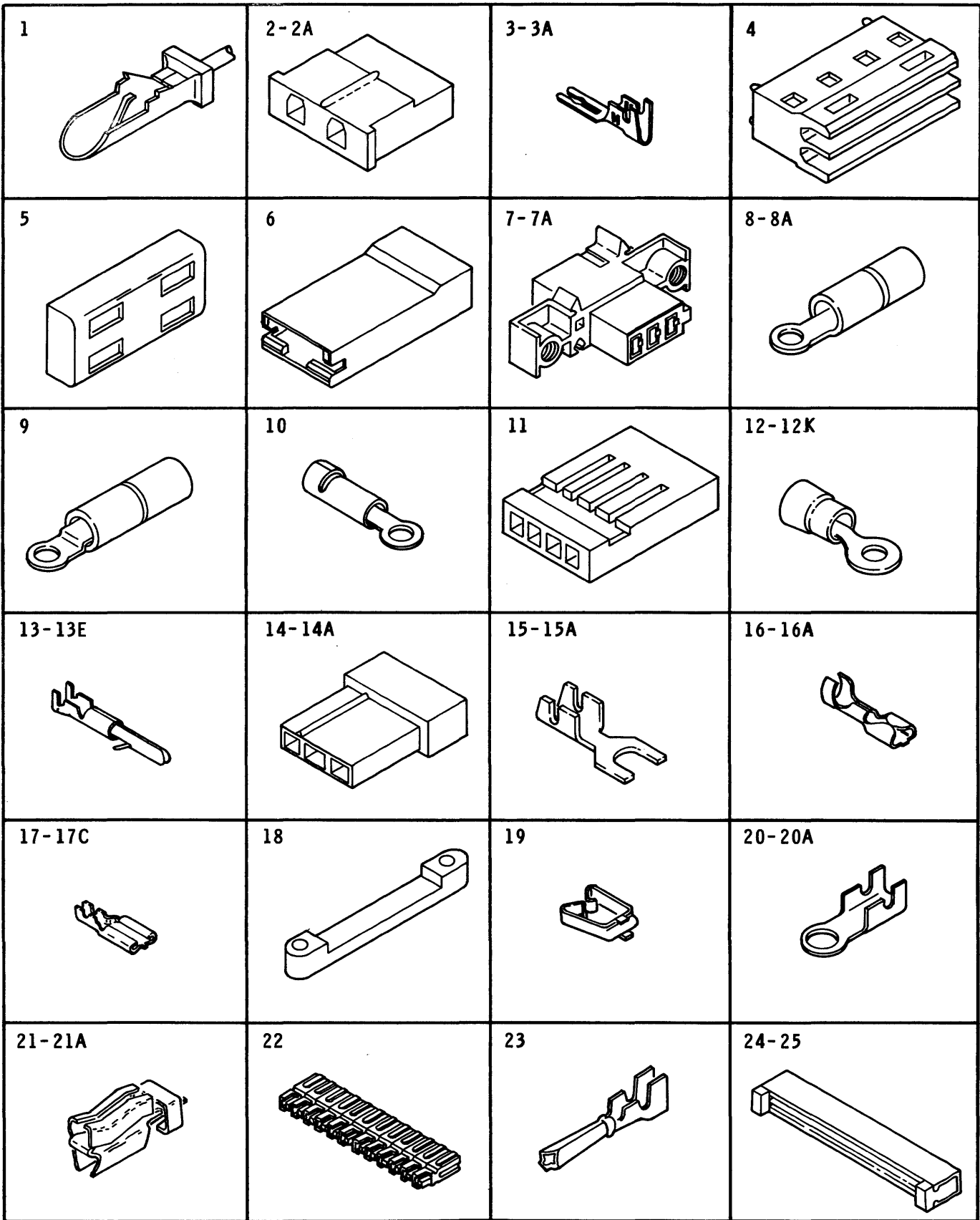


FIGURE 16. CABLE ASSEMBLY COMPONENTS. SHEET 1 OF 2. INDEX NOS. 1-25. SEE LIST 16.

LIST AND INDEX	PART NUMBER	QTY.	DESCRIPTION
CABLE COMPONENTS			
- 1	5353854	(AR)	• CONTACT, MALE 16-20AWG
- 2	5214572	(AR)	• HOUSING
- 2A	5214573	(AR)	• HOUSING
- 3	813194	(AR)	• TERMINAL, 20-18AWG
- 3A	816883	(AR)	• CONNECTOR, NO. 18-20AWG
- 4	813801	(AR)	• HOUSING
- 5	813802	(AR)	• COVER
- 6	5761882	(AR)	• HOUSING, TERMINAL
- 7	5353851	(AR)	• HOUSING, CONNECTOR RECEPTACLE, 3 POSITION
- 7A	5353853	(AR)	• HOUSING
- 8	2101326	(AR)	• TERMINAL, RING 10/12AWG, NO. 10, INS
- 8A	2101327	(AR)	• TERMINAL, LUG INS 10/12AWG 1/4 MTG HOLE
- 9	253453	(AR)	• TERMINAL, RING
- 10	186961	(AR)	• TERMINAL, RING, NO. 6 STUD NON INSULATED
- 11	2637680	(AR)	• HOUSING, 4 POSITION
- 12	334910	(AR)	• TERMINAL, LUG NO. 16 THRU NO. 14 WIRE
- 12A	334921	(AR)	• TERMINAL, LUG NO. 22 THRU NO. 18 WIRE INSUL
- 12B	334932	(AR)	• TERMINAL, LUG NO. 18 THRU NO. 22 WIRE INSUL
- 12C	253740	(AR)	• TERMINAL, LUG INS 10-12AWG NO. 6 MTG HOLE
- 12D	186968	(AR)	• TERMINAL, LUG INS 10-12AWG NO. 8 MTG HOLE
- 12E	359695	(AR)	• TERMINAL, RING LUG NO. 10 STUD
- 12F	92784	(AR)	• TERMINAL, LUG INS 18-20AWG NO. 8 MTG HOLE
- 12G	360370	(AR)	• TERMINAL, RING TONGUE NO. 14-16 WIRE
- 12H	352194	(AR)	• TERMINAL, LUG INS 10-12AWG NO. 6 MTG HOLE
- 12J	303724	(AR)	• TERMINAL, LUG INS RING TONGUE
- 12K	512587	(AR)	• TERMINAL, LUG INS-90 DEGREE
- 13	1166114	(AR)	• TERMINAL
- 13A	2513253	(AR)	• TERMINAL
- 13B	2513254	(AR)	• TERMINAL
- 13C	5412642	(AR)	• PIN, TERMINAL
- 13D	5412643	(AR)	• SOCKET, TERMINAL
- 13E	483999	(AR)	• CONTACT, MALE 22-30AWG
- 14	1166117	(AR)	• HOUSING
- 14A	5214143	(AR)	• HOUSING
- 15	313361	(AR)	• TERMINAL, BARE WIRE CRIMP
- 15A	186967	(AR)	• TERMINAL, LUG NON INS 20AWG NO. 6 MTG HOLE
- 16	5353852	(AR)	• CONTACT, FEMALE 16-20AWG
- 16A	236916	(AR)	• CONTACT, FEMALE 22-24AWG
- 17	1127037	(AR)	• TERMINAL, SLIP ON 14-18AWG
- 17A	523267	(AR)	• TERMINAL, QUICK DISCONNECT 14-18AWG
- 17B	5213274	(AR)	• TERMINAL, SLIP ON 18-22AWG
- 17C	5351177	(AR)	• TERMINAL, SLIP ON 18-22AWG
- 18	5275481	(AR)	• STRAIN RELIEF
- 19	813681	(AR)	• CONTACT
- 20	124440	(AR)	• TERMINAL, LUG NON INS 20AWG NO. 4 MTG HOLE
- 20A	257284	(AR)	• TERMINAL, RING NO. 10 STUD
- 21	591047	(AR)	• TERMINAL
- 21A	596255	(AR)	• TERMINAL, SLIP ON
- 22	2523604	(AR)	• HOUSING
- 23	2523605	(AR)	• TERMINAL
- 24	2524850	(AR)	• RAIL CONNECTOR
- 25	2524845	(AR)	• KEY CONNECTOR

(CONTINUED)

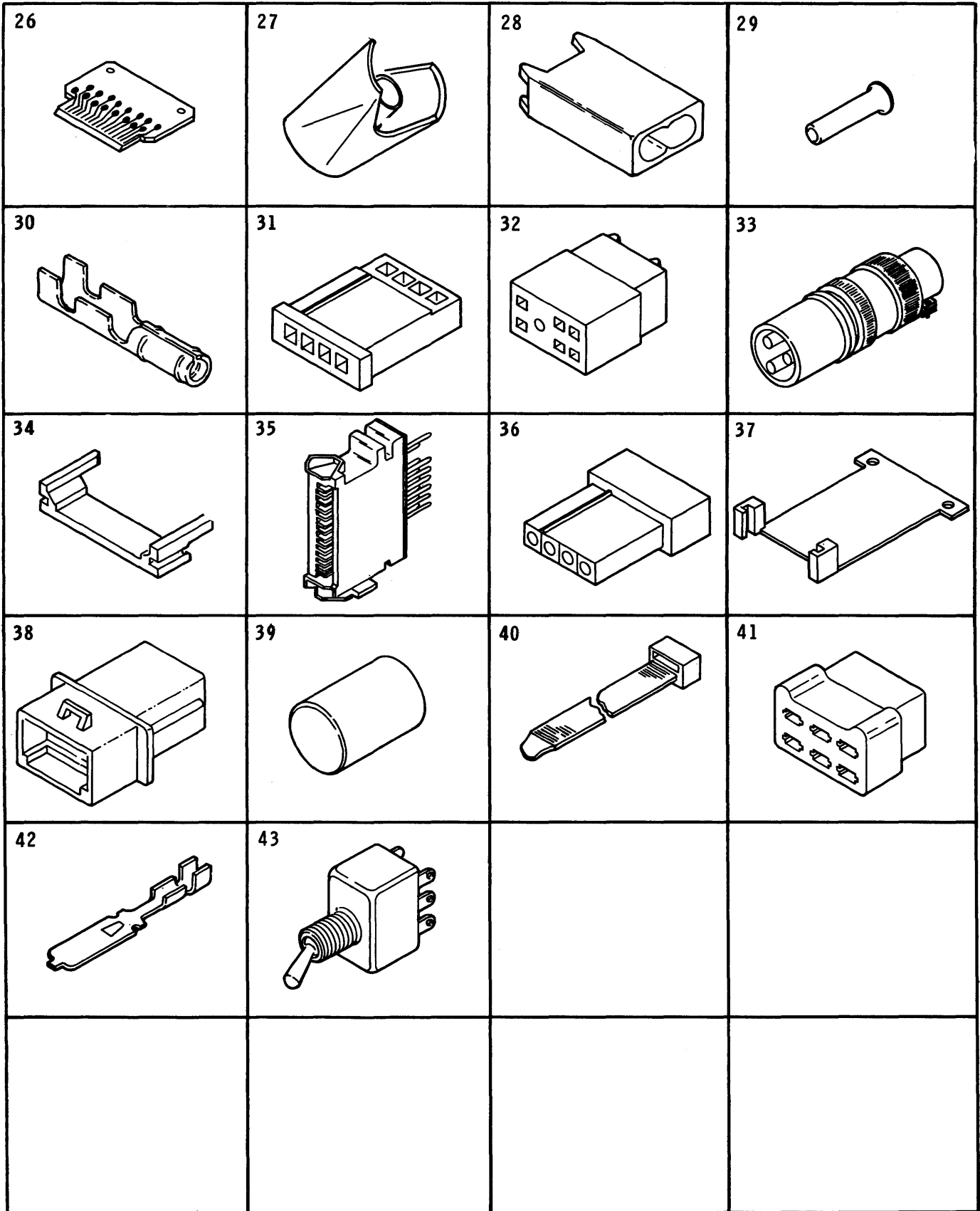


FIGURE 16. CABLE ASSEMBLY COMPONENTS. SHEET 2 OF 2. INDEX NOS. 26-43. SEE LIST 16.

LIST AND INDEX	PART NUMBER	QTY.	DESCRIPTION
----------------	-------------	------	-------------

## CABLE COMPONENTS (CONTINUED)

- 26	5800634	(AR)	• CARD ASM
- 27	626065	(AR)	• FERRULE, SHIELDED WIRE
- 28	813197	(AR)	• HOUSING, TERMINAL
- 29	5275486	(AR)	• RIVET
- 30	2637679	(AR)	• CONNECTOR, 22-26AWG
- 31	2518231	(AR)	• SOCKET HOUSING
- 32	819562	(AR)	• HOUSING, CROSSOVER CONNECTOR
- 33	2524773	(AR)	• PLUG, 2 WIRE, 3 POLE
- 34	811802	(AR)	• GUIDE, CARD, 6 PAC
- 35	216076	(AR)	• TERMINAL BLOCK AND CONTACT
- 36	2523262	(AR)	• PIN HOUSING, 4 POSITION
- 37	2524759	(AR)	• STRAIN RELIEF
- 38	5214996	(AR)	• CONNECTOR HOUSING
- 39	2637689	(AR)	• INSERT-POLARIZATION
- 40	1159913	(AR)	• CLAMP-ADJUSTABLE NYLON
- 41	523268	(AR)	• HOUSING, 6 POSITION
- 42	827991	(AR)	• TERMINAL, HOUSING
- 43	835273	(AR)	• SWITCH, 6 TERMINAL

END OF LIST 16.

**THIS PAGE INTENTIONALLY LEFT BLANK**



PART NUMBER	SECTION/ LIST/INDEX	PART NUMBER	SECTION/ LIST/INDEX	PART NUMBER	SECTION/ LIST/INDEX	PART NUMBER	SECTION/ LIST/INDEX
337	4 -161	25627	2 - 73	45690	4 - 72	56079	12 - 30
2032	5B- 13		3 - 23		4 -146		14 - 6A
3550	2 - 38A		3 - 78		4 -154		14 - 18J
	2 - 93		6 - 51		4 -162		15 - 9A
	2 -115	28413	8 - 50		4 -187		15 - 9C
	2 -118		9 - 49		5A- 35		15 - 13
	3 -103		10 - 55		5B- 27		15 - 22
	3 -124		11 - 54		5C- 25	56121	5A- 70
	3 -127		12 - 10		7 - 44A		12 - 18
	4 -176		12 - 29	47987	4 - 77		12 - 22
	6 - 49B		13 - 7	53193	5A- 28		14 - 18H
3960	2 - 28		15 - 21		5A- 86	56722	1 - 18
	2 - 30	32042	1 - 24A		5D- 28		1A- 8
	2 - 52F		1 - 26A	55726	2 - 33		2 - 58C
	3 - 26		1 - 36		3 - 31		3B- 5
	3 - 28		1 - 39		5A- 12		4 - 44A
	4 -175		1A- 3		5A- 14		4 - 56A
5528	4 -154B		1A- 13		5A- 25		4 -125
	5 - 19		1A- 14A		5A- 44		5 - 6
	6 - 11		1A- 15		5D- 12		5A- 26
	8 - 41		1A- 26		5D- 14		5A- 66
	9 - 40		1A- 28		5D- 25		5D- 26
	10 - 43		1A- 30		8 - 13		8 - 14
	11 - 42		2 - 62		8 - 21		9 - 14
	15 - 2		2 - 65A		8 - 32C		9 - 23C
6364	1A- 22		3 - 62C		8 - 34		10 - 14
	5A- 56		3 - 64		8 - 36		10 - 27
6935	6 - 48		3 - 68		8 - 38		11 - 14
	6 - 49C		5 - 21		9 - 13		11 - 28C
7327	2 -112		5 - 31		9 - 21		12 - 27
	3 -121		5A- 85		9 - 33		13 - 16
	4 - 8		5A- 93		9 - 35	58207	5C- 28
9092	5A- 37		5C- 23		9 - 37		7 - 44C
	5C- 21		15 - 9B		10 - 13		8 - 11
10170	12 - 11	32617	5 - 5		10 - 23		9 - 11
	2 - 56		14 - 6		10 - 34E		10 - 11
	2 - 58B		15 - 9		10 - 36		10 - 25
	3 - 50		15 - 12		10 - 38		11 - 11
	3 - 55A	34512	1 - 10B		10 - 40		12 - 2
	4 - 59		2 - 4		11 - 13		14 - 22A
	4 -124		3 - 4		11 - 24	76574	3A- 12B
	5A- 20		5A- 47		11 - 35		4 -143
	5A- 32		5C- 24		11 - 37		7 - 24
	5A- 78		8 - 46		11 - 39	78998	2 -108
	5C- 22		9 - 45	55901	4 -100A	80651	4 - 35
	5D- 20		10 - 51		5C- 26	80652	4 - 39
	7 - 32		11 - 26		6 - 13		5B- 21
	8 - 10		11 - 50		8 - 12	81693	2 - 43
	8 - 52A	35739	4 - 67		8 - 47		4 - 52
	9 - 10		5 - 3		8 - 51		4 - 56
	9 - 51A		10 - 46		9 - 12		4 -139
	10 - 10		11 - 45		9 - 46		5 - 5
	10 - 57A		12 - 26		9 - 50		5A- 83
	11 - 10		13 - 4		10 - 12		5B- 10
	11 - 56A	36112	2 - 27		10 - 52		6 - 28
	13 - 9		3 - 25		10 - 56		14 - 11
	14 - 49	36844	2 - 52		11 - 12		15 - 20
10295	4 -186		2 - 52C		11 - 51		15 - 30
10309	3 - 99	37913	4 -131A		11 - 55	91610	4 - 42
	7 - 47	38235	4 - 44		14 - 4		5B- 20
11598	5 - 22		4 -127		15 - 7	92784	6 - 14B
	5A- 38		5A- 54	55918	5A- 34		16 - 12F
	5A- 71		5B- 32		5A- 89	NO NO.	1A- REF
	5B- 3		5B- 37		8 - 44C	107666	5A- 52
	5B- 26		8 - 38B	56079	1 - 13B	107668	5A- 51
	6 - 44B		9 - 37B		1 - 33A	110114	1 - 19E
	12 - 31		10 - 40B		2 -110	112628	4 -187C
	14 - 18G		11 - 39B		3 - 60	117281	2 - 52A
	15 - 14		13 - 12		3 -119		6 - 35
	15 - 20A		14 - 25		3A- 5	120789	4 - 15
	15 - 23		14 - 35		3A- 8		6 - 44E
19852	3A- 12A	38263	4 - 83		3A- 12	122592	9 - 26A
	6 - 34	38350	6 - 22		3B- 8		11 - 20A
19944	14 - 32	38354	1 - 17		3B- 11	123786	2 - 66B
	15 - 25		3 - 56		4 -145B		3 - 71A
20038	4 -182		7 - 34		5 - 6	124440	16 - 20
22478	4 - 49	38442	12 - 35		5A- 36	125930	2 - 81
	4 - 60	38454	1A- 7		5B- 46		3 - 88
	4 -146	38686	2 - 92		5C- 27		7 - 44G
	4 -154C		3 -102		6 - 44D	126520	3 - 39
	5A- 49	38688	2 - 52E		7 - 29B	132767	6 - 23A
	5A- 67	45690	1 - 10C		7 - 41	132773	15 - 48
	5B- 54		1A- 4		8 - 51	132778	15 - 47
	6 - 32A		1A- 16		9 - 50	138754	8 - 4
24107	3 - 98		2 - 5		10 - 56		9 - 4
	7 - 46		2 - 47C		11 - 55		10 - 4
25627	2 - 25		3 - 5		12 - 12		11 - 4

PART NUMBER	SECTION/ LIST/INDEX	PART NUMBER	SECTION/ LIST/INDEX	PART NUMBER	SECTION/ LIST/INDEX	PART NUMBER	SECTION/ LIST/INDEX
138755	5A- 1	253220	7 - 33	323681	11 - 46	438568	4 - 167
	5D- 1	253453	16 - 9	323841	5A- 21		9 - 25A
139050	6 - 36	253740	16 - 12C		5D- 21		10 - 34
	6 - 47	255629	5B- 18		10 - 45		11 - 30A
149695	4 - 29	255994	6 - 23B		11 - 44		11 - 33
152989	15 - 24	257187	1 - 19	323844	5B- 11		13 - 18A
161351	1 - 41B		1A- 9	327921	4 - 133	438569	7 - 19
170228	2 - 43		1A- 23	331982	5B- 51	438570	11 - 28A
	3A- 13C		2 - 102	332620	4 - 33	438571	9 - 23A
171092	5A- 8		3B- 17		4 - 160		13 - 18E
	5D- 8		5A- 57		5 - 31A	438589	4 - 129
179623	3 - 97		9 - 25B		5A- 46		15 - 6
	7 - 45		10 - 28		5C- 30	438590	14 - 3
179743	2 - 104		11 - 30B		12 - 7	438601	4 - 70
179946	2 - 109		13 - 6		12 - 15	438604	3 - 59
184522	7 - 29A		13 - 13		12 - 17	460564	7 - 17
188759	5B- 23		13 - 18B		12 - 21	472187	7 - 36
	8 - 49		14 - 26	332779	5B- 49		13 - 19
	8 - 50	257189	3 - 117	333064	2 - 26	472729	4 - 184
	9 - 48		4 - 100		2 - 52D	474806	5A- 28A
	9 - 49		5A- 50		3 - 24		8 - 1
	10 - 54		6 - 12	334768	8 - 43A		9 - 1
	10 - 55		14 - 5		9 - 42A		10 - 1
	11 - 53		14 - 33	334910	16 - 12		11 - 1
	11 - 54		15 - 3	334921	5 - 4	477266	5 - 26A
	14 - 16		15 - 8		16 - 12A	479090	15 - 42
	14 - 22	257284	16 - 20A	334932	5 - 4	479102	14 - 47
	6 - 44	257984	4 - 84		8 - 43B	479110	14 - 48
186928	6 - 46		4 - 181		9 - 42B	483677	5A- 14A
186935	6 - 49A	257985	4 - 85		16 - 12B		5D- 14A
	16 - 10		4 - 131B	338169	8 - 32J	483679	5A- 7
186961	16 - 15A	257986	2 - 44		9 - 17		5D- 7
186967	16 - 12D		3A- 13D		10 - 19B	483682	5A- 6
187479	6 - 21		4 - 40		11 - 17		5D- 6
189350	4 - 131D		4 - 68	338327	8 - 39	483999	16 - 13E
195846	13 - 18F		5 - 14		9 - 38	501566	3 - 62
198981	12 - 33		5 - 17		10 - 41		7 - 25
205652	4 - 164		5 - 25		11 - 40	503498	8 - 43C
207324	5A- 58		5A- 55	342250	8 - 44		9 - 42C
	14 - 43	287501	4 - 153		9 - 43	510379	5B- 34
	15 - 49	301768	5B- 36		10 - 49	510468	5B- 53
208238	13 - 2	303361	2 - 11B		11 - 48	511063	2 - 66B
210883	3 - 52		3 - 11B	344015	4 - 53		3 - 71A
	3 - 55D	303724	16 - 12J	344167	13 - 14	512587	16 - 12K
	5A- 23	313361	16 - 15	350977	3 - 49	513668	2 - 55
	5A- 41	317002	6 - 14A	352088	5B- 9	518919	9 - 28A
	5D- 23	317131	4 - 168	352194	16 - 12H		11 - 21A
	6 - 22A	317145	3 - 51	352827	5A- 19		11 - 22A
	7 - 35	317232	6 - 25		5D- 19	523267	16 - 17A
210884	5A- 24	317485	5A- 39	359695	16 - 12E	523268	16 - 41
	5A- 24	320451	8 - 40	360339	3 - 54	523269	8 - 18
	5A- 42		9 - 39	360370	16 - 12G		9 - 18
	5D- 24		10 - 42	363001	5C- 6		10 - 18
216076	5B- 42		11 - 41		6 - 16A		11 - 18
	8 - 32D	320839	6 - 40	365323	3 - 55C	526378	5A- 73
	10 - 34F	322065	3B- 16		7 - 38	527916	5A- 40
	16 - 35		5A- 75	369207	5A- 2	528484	1 - 13A
	14 - 45		5C- 29		5D- 2	528937	5A- 59
216985	14 - 46		8 - 32		6 - 2	532393	2 - 50F
216986	14 - 44		9 - 31		8 - 6		3 - 88B
216987	4 - 77A		14 - 14		9 - 2B		3A- 12C
219549	5A- 10		14 - 14		10 - 2A		4 - 135
221790	5A- 16		15 - 35		11 - 6		4 - 138
	5D- 10		15 - 38	369214	5B- 2		5 - 29A
	5D- 16	322266	4 - 170		5B- 25		8 - 8
222097	5A- 60	322550	2 - 97		14 - 7		8 - 38A
234320	4 - 145		3 - 53		15 - 26		9 - 8
234331	4 - 145		3 - 108		15 - 31		9 - 37A
234340	3B- 10		7 - 18	372688	2 - 10		10 - 8
236529	4 - 187C		7 - 29		3 - 10		10 - 40A
236550	4 - 14		7 - 44E	373581	2 - 66		11 - 8
	4 - 180		12 - 4		3 - 71		11 - 39A
236849	1 - 33	322551	5A- 65	373582	2 - 66	533451	5A- 18
	5A- 30		9 - 23		3 - 71		5D- 18
	5B- 45		11 - 28	375202	5A- 87	534768	3 - 2B
	5C- 32	322552	9 - 23B		5B- 24	535632	3 - 1A
236916	16 - 16A		11 - 28B	375455	7 - 5	550578	8 - 42
237455	3 - 54E	322562	4 - 71	375463	8 - 32A		9 - 41
251970	8 - 18A	322585	5A- 53		10 - 34A		10 - 44
	8 - 32H		14 - 24	438548	13 - 24A		11 - 43
	9 - 16	322620	5A- 80		13 - 25A	589091	6 - 17
	9 - 19	322888	14 - 18K	438550	5B- 48	589715	6 - 26
	10 - 18A	323656	9 - 24	438551	4 - 149	591047	16 - 21
	10 - 19A		11 - 29		4 - 151	594237	4 - 132D
	11 - 16	323681	5A- 22		6 - 20		6 - 6
	11 - 19		5D- 22	438554	4 - 131	596255	16 - 21A
253220	3 - 55B		10 - 47	438567	13 - 15	597068	5 - 20

PART NUMBER	SECTION/ LIST/INDEX	PART NUMBER	SECTION/ LIST/INDEX	PART NUMBER	SECTION/ LIST/INDEX	PART NUMBER	SECTION/ LIST/INDEX
598479	5A- 69	853044	3 - 80	1766305	5A- 4	2181003	4 -169
599917	6 - 24	853045	2 - 73A	1766306	5A- 45	2181004	1 - 32
600960	5B- 55		3 - 79	1766307	5A- 63		1 - 35
603696	5A- 92	855262	1 - 49	1766308	5A- 94		1 - 37A
609391	14 - 40	855263	1 - 49	1766309	5A- 29		2 - 28B
	15 - 40	855282	1 - 47		5D- 29		2 - 36
609686	5A- 27	855283	1 - 48	1766316	3A- 6		2 - 41
	5D- 27	855284	1 - 50		3B- 6		2 - 47B
	8 - 18	855285	1 - 46	1766318	5A- 43		2 - 50
	10 - 18	855286	1 - 51	1766320	3A- REF		2 - 50G
610657	5D- 13	960746	1 - 49	1766329	5A- 9		2 - 54
612470	4 - 64	960766	1 - 51		5D- 9		2 - 58
626065	16 - 27	1071723	1A- 19	1766334	5A- 4		2 - 60
627901	1 - 42E	1090873	4 -154D	1766336	16 - REF		2 - 64
646007	8 - 5		5A- 48	1766337	1 - 52		2 - 65C
	9 - 5	1127037	16 - 17	1766338	3 - 62A		2 - 67
	11 - 5	1127722	14 - 50		3B- 13		2 - 71
647487	5A- 5	1134232	5B- 7	1766339	3A- 3		2 - 71B
725002	5A- 13	1141554	3 - 57A	1766340	5A- 64		2 - 75
725347	2 -103		7 - 2	1766341	3A- 2		3 - 26B
730273	5A- 74		7 - 27A		3B- 2		3 - 34
730427	5B- 50	1145301	9 - 25C	1766345	5A- 91		3 - 36
730428	5B- 33		11 - 30C	1766346	5A- 11		3 - 48
730439	5B- 14		13 - 18C		5D- 11		3 - 54D
730468	5 - 26	1145574	4 -132E	1766347	5A- 84		3 - 66
739278	1 - 16		6 - 6A	1773253	4 -147A		3 - 70
740489	2 - 6	1149420	14 - 38	1773307	4 - 27		3 - 72
740491	2 - 7		15 - 16	1773333	2 - 67A		3 - 76
740501	2 - 11	1159519	3 - 2D		3 - 74A		3 - 76B
	2 - 69		4 -137		4 -140		3 - 82
	2 -106	1159913	16 - 40	1773414	4 - 92		3 - 92
	2 -121	1166114	16 - 13	1773813	1A- 31		3 - 96B
	3 - 11	1166117	16 - 14	1773814	1A- 31		3A- 4
	3 - 74	1171121	4 - 47	1773815	1A- 31		3A- 7
	3 -130	1524727	14 - 18C	1773818	1A- 12		3A- 10
740503	2 -100		14 - 29	1773820	1A- 5		3A- 13F
	3 -115	1703062	6 - 29	1773873	1 - 29		3B- 4
740506	6 - 9		7 - 14A		1A- 1		3B- 7
740550	2 - 11A	1703100	4 - 55	1773874	1 - 29		7 - 40
	3 - 11A	1703101	2 -113		1A- 1		7 - 44
740560	3 - 54A		2 -117	1773875	1A- 1	2181005	2 - 13
740562	3 - 54A		3 -122	1773876	1A- 1		3 - 13
740608	2 -100		3 -126	1773877	1A- 11	2181088	5 - 24
	3 -115	1703102	2 -111		1A- 11	2183342	4 -142
811417	5 - 13		3 -120	1773878	1A- 11	2193933	5A- 90
	5 - 16	1703103	2 -119	1773879	1A- 11	2218599	8 - 29
811422	5 - 28		3 -128	1773880	1A- 11		9 - 27
811427	2 - 50B	1703104	2 -107	1773881	1A- 11	2242323	2 - 50A
	2 - 67B		3 -118	1773882	1A- 1		3 - 48A
	3 - 48B	1703105	4 - 9	1773883	1A- 1	2391022	14 - 18B
	3 - 74B	1703129	2 - 96	1773884	1A- 11		14 - 28
	4 -141		3 -107	1773894	4 - 87		15 - 44
811802	16 - 34	1703130	16 - REF	1773895	1 - 29	2392039	14 - 42
813194	16 - 3	1703154	4 - 55A	1773926	1A- 1		14 - 42
813197	16 - 28	1741341	10 - 5	1847604	1A- 10		15 - 39
813681	16 - 19	1766005	16 - REF	2053537	3 -105	2417512	2 - 95
813801	16 - 4	1766006	16 - REF	2096585	4 -132D		3 -106
813802	16 - 5	1766007	16 - REF	2096586	6 - 40		3A- 13B
816883	16 - 3A	1766008	7 - 11	2101326	16 - 8		5 - 2
816983	5 - 25D		16 - REF	2101327	16 - 8A		5 - 2
818002	5 - 25A	1766009	5D- 4	2102203	5C- 19		12 - 25
819268	5 - 12		7 - 11	2102367	5 - 29	2448371	5C- 12
819269	5 - 15		16 - REF	2111232	5A- 17	2448373	5C- 11
819290	5 - 11	1766010	7 - 11		5D- 17	2448637	5C- 9
819299	5 - 18A		16 - REF		13 - 26	2448639	5C- 17
819408	5 - 25A	1766011	7 - 11		14 - 41	2448640	3B- 9
819409	5 - 25A	1766012	16 - REF		15 - 41		5C- REF
819410	2 - 60B	1766013	16 - REF	2121379	1 - 41	2448646	5C- 13
	5 - 25E	1766015	16 - REF	2121828	4 - 56B	2448651	5C- 20
819411	5 - 25B	1766016	16 - REF	2145165	14 - 13	2448681	5C- 2
819562	16 - 32	1766017	16 - REF		14 - 13	2448682	5C- 4
819625	5 - 25C	1766018	16 - REF		15 - 34	2448683	5C- 1
819632	5 - 25D	1766019	16 - REF		15 - 37	2448685	5C- 15
819850	5 - 25A	1766020	16 - REF	2158708	8 - 30	2448686	5C- 14
827842	2 -123	1766028	16 - REF		9 - 29	2501044	4 -131E
	3 -132	1766029	7 - 11	2172166	2 - 42	2501661	4 -147B
827991	16 - 42		16 - REF		2 - 95	2501904	4 -189
835273	16 - 43	1766030	7 - 11		3 -106	2503537	2 - 39
845762	5A- 3		16 - REF		3A- 13B		2 - 94
	5D- 3	1766031	7 - 11		5A- 82		3A- 13A
	8 - 2A		16 - REF		5C- 3		5 - 1
	9 - 3A	1766193	14 - 16A		12 - 25		12 - 24
	10 - 3A	1766216	3 - 57	2173782	1 - 41A	2503586	2 - 67A
	11 - 3A		7 - 27	2180004	3 - 88C		3 - 74A
847952	2 - 31A	1766300	3A- 9	2181001	2 - 47		4 -140
	3 - 29A		5A- REF		3 - 45	2503929	8 - 2
853044	2 - 73B	1766304	5A- 33	2181002	6 - 18		9 - 2A

PART NUMBER	SECTION/ LIST/INDEX	PART NUMBER	SECTION/ LIST/INDEX	PART NUMBER	SECTION/ LIST/INDEX	PART NUMBER	SECTION/ LIST/INDEX
2503929	10 - 2	2517694	1A- 29	2517850	4 - 1	2518154	1 - 9
	11 - 2A	2517695	1 - 29	2517851	4 - 11	2518166	1 - 14
2504118	14 - 17	2517696	1 - 29	2517852	4 - 7		1A- 17
2510920	10 - 48	2517697	1 - 29	2517853	4 - 5	2518167	1 - 14A
	11 - 47	2517698	1 - 21	2517854	4 - 3	2518168	2 - 45
2512157	5A- 15		1A- 24	2517858	6 - 41		3 - 43
	5D- 15	2517699	1 - 21	2517908	4 - 74A		4 - REF
2512194	6 - 1		1A- 24	2517910	1 - 37	2518169	2 - 45
2512744	6 - 7	2517701	1 - 21	2517911	4 - 12		3 - 43
2512745	4 - 147		1A- 24	2517912	1 - 20		4 - REF
2513253	16 - 13A	2517702	1 - 21	2517913	1 - 12	2518177	1 - 52
2513254	16 - 13B		1A- 24	2517914	1 - 12	2518178	1 - 52
2513268	3 - 88D	2517706	1 - 12	2517915	1 - 19A	2518179	1 - 52
2513447	14 - 37	2517707	1 - 12		1A- 14	2518180	1 - 52
	15 - 15	2517708	1 - 12	2517916	1 - 12	2518181	1 - 52
2513489	9 - 28	2517709	1 - 12	2517917	1 - 12	2518182	1 - 52
	11 - 20	2517710	1 - 12	2517918	1 - 11	2518183	1 - 52
2515541	2 - 77	2517711	2 - 48	2517919	1 - 11	2518184	1 - 52
	3 - 85		3 - 46	2517920	1 - 11	2518185	1 - 52
	6 - 37	2517715	4 - 13	2517921	1 - 11	2518186	1 - 52
2516579	3 - 54C	2517717	1 - 31	2517928	16 - REF	2518187	1 - 52
2517555	4 - 163	2517718	1 - 34	2518011	2 - 23	2518188	1 - 52
2517561	16 - REF	2517737	1 - 15		3 - 21	2518194	1 - 11
2517564	4 - 66		1 - 19B	2518012	2 - 23	2518195	1 - 11
2517588	4 - 63		1 - 19D		3 - 21	2518196	1 - 11
2517589	4 - 165		1 - 24	2518013	2 - 23	2518197	1 - 11
2517592	4 - 54		1 - 26		3 - 21	2518198	1 - 12
2517596	4 - 41		1 - 28	2518014	2 - 23	2518199	1 - 12
2517597	4 - 38	2517752	1 - 45		3 - 21	2518200	1 - 12
2517620	2 - 120	2517755	2 - 46	2518015	2 - 23	2518201	1 - 12
	3 - 129		3 - 44		3 - 21	2518202	1 - 12
2517621	1 - 7	2517756	4 - 158	2518016	2 - 23	2518203	1 - 11
2517622	1 - 5	2517758	4 - 55C		3 - 21	2518204	1 - 11
2517623	1 - 8	2517759	4 - 177	2518033	2 - 47A	2518205	1 - 11
2517624	1 - 6	2517760	6 - 42	2518034	1 - 16	2518206	1 - 11
2517632	4 - 76	2517761	4 - 30	2518035	1 - 16A	2518207	1 - 12
2517636	4 - 58	2517763	3 - 3		1A- 6	2518208	1 - 12
2517642	4 - 45	2517766	12 - 28	2518036	1A- 10A	2518209	1 - 12
2517643	4 - 50	2517767	4 - 174	2518060	16 - REF	2518210	1 - 12
2517644	4 - 48	2517768	4 - 172	2518061	16 - REF	2518211	1 - 12
2517645	4 - 51	2517770	4 - 128	2518064	4 - 2	2518212	1 - 11
2517646	4 - 46	2517773	4 - 156	2518066	4 - 185	2518213	1 - 11
2517650	4 - 43	2517774	4 - 155	2518067	2 - 2	2518214	1 - 11
2517658	2 - 49	2517778	4 - 166		3 - 2	2518215	1 - 11
	3 - 47	2517779	4 - 157	2518068	2 - 2	2518223	6 - 31
2517660	4 - 32	2517780	4 - 148		3 - 2	2518231	16 - 31
2517661	4 - 36		4 - 150	2518069	16 - REF	2518233	1 - 10A
2517662	1 - 38		6 - 19	2518070	16 - REF		2 - 3
2517663	1 - 42	2517783	4 - 188	2518071	16 - REF	2518234	2 - 12
2517665	1 - 37	2517785	6 - 3	2518072	16 - REF		3 - 12
2517666	1 - 40	2517786	6 - 50	2518076	2 - 2	2518235	2 - 8
2517667	2 - 86	2517787	6 - 50		3 - 2	2518239	4 - 159
	3 - 93	2517788	2 - 74	2518101	3 - REF	2518241	4 - 132A
2517668	2 - 88		3 - 81	2518102	3 - REF	2518242	4 - 132B
	3 - 95		6 - REF	2518103	2 - REF	2518243	4 - 26
2517669	3 - 104	2517789	2 - 74	2518104	2 - REF		4 - 65
	7 - 48		3 - 81	2518105	3 - REF	2518244	6 - 14
2517670	3 - 88E		6 - REF	2518106	3 - REF	2518245	6 - 23
	3A- 14	2517797	2 - 23	2518107	2 - REF	2518246	16 - REF
	3B- 15		3 - 21	2518108	2 - REF	2518247	16 - REF
2517671	2 - 84	2517798	2 - 23	2518109	3 - REF	2518249	16 - REF
	3 - 91		3 - 21	2518110	3 - REF	2518252	4 - 75
2517672	2 - 82	2517799	2 - 23	2518111	2 - REF	2518254	4 - 31
	3 - 89		3 - 21	2518112	2 - REF		4 - 134
2517674	2 - 68	2517804	6 - 41	2518129	1 - 44		4 - 136
	3 - 73	2517805	6 - 39	2518130	1 - 44		4 - 145A
2517675	2 - 70	2517807	6 - 42	2518133	1 - 11	2518260	4 - 73A
	3 - 75	2517808	6 - 33	2518134	1 - 11	2518262	4 - 82
2517681	6 - 32	2517809	6 - 54	2518135	1 - 11	2518265	4 - 164
2517682	5 - 30	2517811	1 - 7	2518136	1 - 11	2518266	2 - 98
2517683	5 - 18	2517812	1 - 5	2518137	1 - 9		3 - 109
2517684	5 - 18B	2517813	1 - 8	2518138	1 - 9		5 - 2
2517685	2 - 53	2517814	1 - 6	2518139	1 - 9		5A- 81
2517686	2 - 59	2517815	1 - 7	2518140	1 - 9	2518270	6 - 44A
2517687	2 - 57	2517816	1 - 5	2518141	1 - 9	2518272	2 - 72
2517688	2 - 65B	2517817	1 - 8	2518142	1 - 9		3 - 77
	3 - 69	2517826	4 - 144	2518143	1 - 9	2518278	4 - 131C
2517689	2 - 63	2517831	2 - 66A	2518144	1 - 9	2518280	1 - 42A
	3 - 65		3 - 71B	2518145	1 - 9	2518283	4 - 101
2517691	1 - 14	2517838	4 - 144	2518146	1 - 9	2518285	4 - 80
	1A- 2	2517839	2 - 50H	2518147	1 - 9	2518286	4 - 78
	1A- 21		5 - 26B	2518148	1 - 9	2518287	4 - 74
2517692	1 - 25	2517845	4 - 28	2518149	1 - 9	2518288	4 - 99
	1A- 25	2517846	4 - 27	2518150	1 - 9	2518299	4 - 126
2517693	1 - 23	2517847	4 - 6	2518151	1 - 9	2518300	4 - 126A
	1A- 27	2517848	4 - 4	2518152	1 - 9	2518301	4 - 79
2517694	1 - 27	2517849	4 - 10	2518153	1 - 9	2518303	2 - 78

PART NUMBER	SECTION/ LIST/INDEX	PART NUMBER	SECTION/ LIST/INDEX	PART NUMBER	SECTION/ LIST/INDEX	PART NUMBER	SECTION/ LIST/INDEX
2518303	3 - 86	2518450	4 - 97	2524613	8 - 29	2524765	2 - 60A
	6 - 38A	2518452	4 - 86		9 - 26		7 - REF
2518304	2 - 79	2518453	4 - 91		9 - 27	2524769	14 - 8
	3 - 87	2518456	4 - 90		10 - 20		15 - 27
	6 - 38	2518461	4 - 89		11 - 21		15 - 32
2518315	2 - 90	2518462	4 - 92	2524614	8 - 43	2524770	7 - 39
	3 - 100	2518463	4 - 87		9 - 42		8 - REF
2518316	2 - 71A	2518464	4 - 96		10 - 48	2524771	13 - 24
	3 - 76A	2518467	4 - 73		11 - 47	2524772	13 - 25
2518319	4 - 132C	2518468	2 - 45	2524701	7 - 43	2524773	16 - 33
2518320	4 - 81		3 - 43		12 - REF	2524775	2 - 60A
2518321	4 - 187A		4 - REF	2524703	7 - 43		7 - REF
2518322	4 - 187B	2518470	1 - 19C		12 - REF	2524776	13 - 27
2518323	1 - 38A	2518472	1 - 12	2524710	7 - 39	2524785	2 - 60A
2518324	2 - 28A	2518473	1 - 12		8 - REF		7 - REF
	3 - 26A	2518474	1 - 12	2524711	8 - 35	2524792	3 - 61
2518329	2 - 37	2518475	1 - 12		9 - 34		5A- 76
	3 - 37	2518476	1 - 12		10 - 37		7 - 26
2518331	1 - 53	2518477	1A- 20		11 - 36	2524794	14 - 15
2518332	1 - 30	2518478	4 - 88	2524712	8 - 31	2524795	2 - 60A
2518334	4 - 58	2518479	1 - 19A		9 - 30		7 - REF
2518337	2 - 1		1A- 14	2524713	8 - 20	2524796	2 - 60A
	3 - 1	2518480	1 - 19A		9 - 20		7 - REF
2518338	1 - 20		1A- 14	2524714	9 - 32	2524800	7 - 44B
2518339	1 - 20	2518481	1 - 19A	2524715	8 - 60		12 - 1
2518340	1 - 20		1A- 14		9 - 59		14 - REF
	1 - 20	2518482	1 - 19A		10 - 65	2524805	12 - 13
2518341	1 - 20		1A- 14		11 - 64	2524808	7 - 44B
2518349	1 - 2	2518483	4 - 101	2524716	13 - 3		14 - REF
2518350	1 - 3	2518484	4 - 73	2524717	8 - 37	2524810	7 - 39
2518351	1 - 1	2518486	1 - 42D		9 - 36		8 - REF
2518352	1 - 4	2518487	1 - 42C		10 - 39	2524818	14 - 16B
2518353	1 - 5	2518488	3 - 96A		11 - 38	2524820	7 - 39
2518354	1 - 7	2518490	2 - 34	2524718	8 - 48		9 - REF
2518355	1 - 6		3 - 32		9 - 47	2524822	7 - 39
2518356	1 - 8	2518492	2 - 52B	2524719	14 - 23		9 - REF
2518358	1 - 3	2518498	2 - 29	2524721	8 - 59	2524823	7 - 39
2518359	1 - 1		3 - 27		9 - 58		9 - REF
2518360	1 - 4	2518499	2 - 35		10 - 64	2524824	7 - 39
2518361	1 - 5		3 - 33		11 - 63		11 - REF
2518362	1 - 7	2518500	2 - 35	2524724	12 - 36	2524825	7 - 39
2518363	1 - 6		3 - 35	2524726	12 - 34		9 - REF
2518364	1 - 8	2518501	2 - 32	2524727	15 - 45	2524826	7 - 39
2518365	3 - 88A		3 - 30	2524728	12 - 6		11 - REF
	7 - 44F	2518502	2 - 32B	2524729	8 - 33	2524827	11 - 34
2518366	2 - 75A		3 - 30A	2524730	9 - 22	2524828	10 - 35
	3 - 83	2518504	4 - 132		13 - REF	2524830	9 - 22
2518380	1 - 9	2518506	3 - 50A	2524734	7 - 22		11 - 27
2518381	1 - 9	2518507	7 - 47A	2524735	7 - 22		13 - REF
2518382	1 - 9	2518517	1 - 19F	2524739	14 - 18E	2524831	8 - 28
2518383	1 - 9	2518521	4 - 154A		15 - 10		9 - 26
2518384	1 - 9	2518522	4 - 152	2524740	7 - 44B		10 - 21
2518385	1 - 9	2518524	16 - REF		12 - 1		11 - 22
2518386	1 - 9	2518540	1 - 38B		14 - REF	2524832	14 - 20
2518387	1 - 9	2518553	4 - 69	2524741	14 - 18A	2524833	9 - 25
2518388	1 - 9	2518554	4 - 69		14 - 27		11 - 30
2518389	1 - 9	2521467	15 - 28		15 - 43	2524834	14 - 16B
2518390	1 - 9	2521480	13 - 11	2524742	14 - 12	2524835	3 - 57
2518391	1 - 9	2521482	13 - 11		14 - 12		7 - 27
2518392	1 - 9	2521519	14 - 10		15 - 36	2524837	12 - 5
2518393	1 - 9		15 - 29	2524743	14 - 31	2524838	14 - 15
2518394	1 - 9	2521520	15 - 18		15 - 1	2524839	14 - 18L
2518395	1 - 9	2521521	15 - 19	2524744	14 - 51	2524841	14 - 21
2518396	1 - 9	2521528	13 - 18	2524745	14 - 9	2524842	10 - 53
2518397	1 - 9	2521592	8 - 32F	2524746	3 - 58		11 - 52
2518407	1 - 10A		10 - 34B		7 - 28	2524845	16 - 25
2518408	1 - 10A	2521850	5 - 23		14 - 2	2524847	15 - 17
	2 - 3	2521860	16 - REF	2524747	7 - 44D	2524850	16 - 24
2518409	1 - 10A	2521861	16 - REF		12 - 3	2524853	16 - REF
	2 - 3	2521865	16 - REF		15 - REF	2524854	16 - REF
2518410	1 - 10A	2522134	5 - 33	2524748	15 - 5	2524855	2 - 60A
	2 - 3	2522135	5 - 33	2524749	15 - 51		7 - REF
2518411	1 - 10A	2522403	12 - 32	2524753	14 - 18D	2524856	7 - 39
	2 - 3	2522879	6 - 45		14 - 30		10 - REF
2518417	6 - 49	2523092	15 - 33		15 - 46	2524857	10 - 22
2518418	4 - 130	2523227	4 - 171	2524754	13 - 8		11 - 23
2518421	5 - 10	2523230	4 - 183	2524755	2 - 60A	2524858	10 - 33
2518423	4 - 34	2523231	4 - 178		7 - REF		11 - 32
2518424	16 - REF	2523261	4 - 179	2524756	7 - 39	2524862	8 - 33
2518442	2 - 50C	2523262	16 - 36		8 - REF	2524863	10 - 35
	3 - 48C	2523263	16 - REF	2524757	7 - 6	2524864	7 - 39
2518446	1A- 18	2523604	14 - 18	2524759	16 - 37		8 - REF
2518447	2 - 105		16 - 22	2524760	3 - 61	2524865	2 - 60A
2518448	2 - 40	2523605	16 - 23		3B- 12		7 - REF
	3A- 13E	2523727	4 - 37		7 - 26	2524866	7 - 39
2518449	2 - 31	2524600	14 - 34	2524764	3 - 61		10 - REF
	3 - 29	2524613	8 - 28		7 - 28	2524867	7 - 39

PART NUMBER	SECTION/ LIST/INDEX	PART NUMBER	SECTION/ LIST/INDEX	PART NUMBER	SECTION/ LIST/INDEX	PART NUMBER	SECTION/ LIST/INDEX
2524867	10 - REF	5214218		15 - 50	5373656	1 - 2	
2524868	7 - 39	5214372		15 - 4A	5373657	1 - 3	
	8 - REF	5214652		5B- 31	5386627	1 - 1	
2524869	7 - 39	5214553		5C- 16	5386628	1 - 1	
	8 - REF	5214572		16 - 2	5386629	1 - 2	
2524870	7 - 39	5214573		16 - 2A	5386630	1 - 2	
	10 - REF	5214679		2 - 58A	5386631	1 - 3	
2524871	7 - 39			3B- 3	5386632	1 - 3	
	8 - REF	5214995		8 - 58	5386633	1 - 4	
2524872	2 - 60A			9 - 57	5386634	1 - 4	
	7 - REF			10 - 63	5397579	8 - 3	
2524873	2 - 60A			11 - 62		9 - 3	
	7 - REF	5214996		16 - 38		10 - 3	
2524874	2 - 60A	5236793		8 - 1A		11 - 3	
	7 - REF			9 - 1A	5397638	2 -124	
2524875	2 - 60A			10 - 1A		3 -133	
	7 - REF			11 - 1A	5404092	5C- 8	
2524876	2 - 60A	5252534		5A- 61	5412642	16 - 13C	
	7 - REF	5252571		5C- 7	5412643	16 - 13D	
2524877	2 - 60A	5252815		7 - 15	5412813	4 -173	
	7 - REF	5252819		7 - 14	5414084	4 - 62	
2524878	2 - 60A	5252826		6 - 30	5414088	4 - 61	
	7 - REF	5252841		5A- 72		4 - 87	
2524880	9 - 2	5252842		7 - 16	5712309	5B- 40	
	11 - 2	5252846		7 - 13	5719455	8 - 30	
2524882	12 - 20	5252847		6 - 15		9 - 29	
2524883	12 - 14	5261284		5A- 77	5731697	10 - 5	
	13 - 18D	5261899		3 - 62	5758716	15 - 11	
2524884	14 - 18F			3 - 62B	5759133	13 - 17	
2524885	2 - 60A			3B- 14	5759500	10 - 26	
	7 - REF			7 - 25	5761625	8 - 32E	
2524893	3 - 62	5271288		8 - 32G		10 - 34C	
	7 - 25			9 - 15	5761710	5A- 88	
2524894	8 - 52			10 - 19		5B- REF	
	9 - 51			11 - 15	5761882	16 - 6	
	10 - 57	5275481		16 - 18	5761904	5B- 39	
	11 - 56	5275486		16 - 29	5761907	5B- 39A	
2524895	2 - 60A	5313850		5C- 5		5B- 41	
	7 - REF	5318966		13 - 23	5761935	5B- 52	
2524896	2 - 60A	5318968		13 - 20	5761936	5B- 44	
	7 - REF	5318969		13 - 21	5761943	5B- 35	
2542403	5A- 42A	5319854		2 - 9		5B- 38	
2572866	5B- 12			2 - 67C	5761976	5B- 4	
2578309	4 -188			3 - 54B		5B- 29	
2578365	2 - 80			5 - 10A	5762005	5B- 56	
2588425	10 - 24			6 - 32	5762015	5B- 17	
	11 - 25	5348367		2 -101	5762025	5B- 16	
2591446	2 - 76			3 -116	5762033	5B- 22	
	3 - 84	5350006		6 - 4	5762034	5B- 19	
	5B- 30			6 - 16	5762036	5B- 8	
2611723	16 - 30	5350012		6 - 10	5762037	5B- 5	
2637679	16 - 11	5351177		16 - 17C	5762045	5B- 1	
2637680	16 - 39	5351459		2 - 85	5762057	5B- 43	
2637689	1 - 2	5353301		2 - 38	5762058	5B- 6	
2818357	5A- 31			2 - 83	5762406	5B- 28	
350966	2 - 96			2 - 87	5762423	10 - 34D	
4054012	3 -107			2 - 89	5762474	5B- 47	
4103890	2 - 42			2 -114	5796393	14 - 1	
	5 - 2			2 -116		15 - 4	
4116995	5B- 31			3 - 38	5800634	16 - 26	
4117271	10 - 32			3 - 90	5824095	3 - 55	
	11 - 31			3 - 94		7 - 31	
4119318	7 - 22			3 - 96	5863578	5C- 18	
4119319	7 - 22			3 -123	5878555	3B- REF	
4119384	5C- 10			3 -125	5878703	5C- 31	
4120171	5 - 9			7 - 23		5D- REF	
4241435	12 - 23	5353851		16 - 7	5888394	5A- 68	
4762423	8 - 32B	5353852		16 - 16	7025959	2 -122	
4827369	2 - 94	5353853		5 - 7		3 -131	
	3 -105			16 - 7A	8036618	2 - 39	
	3A- 13A	5353854		5 - 8	8039045	12 - 16	
	5 - 1			16 - 1		12 - 19	
	12 - 24	5357063		12 - 9	8112646	3 - 49	
5130498	5A- 62	5357066		12 - 8	8112647	6 - 21	
516919	9 - 27A	5357090		5 - 9	8112725	2 - 34A	
5180400	10 - 21			5A- 79		3 - 40	
	11 - 22	5357136		1 - 42B	8529032	2 - 65	
5213274	16 - 17B	5357178		6 - 5		3 - 67	
5213430	8 - 45	5362304		2 - 61	8529033	2 - 65	
	9 - 44	5362305		2 - 61	8529034	2 - 65	
	10 - 50			3A- 1		3 - 67	
	11 - 49			3B- 1	8529080	2 - 61A	
5213800	8 - 30	5371632		5 - 27		3 - 63	
	9 - 29	5371671		1 - 45A	8529081	2 - 61A	
5214120	13 - 22	5372859		3A- 11		3 - 63	
5214143	16 - 14A	5373654		1 - 1	8539033	3 - 67	
5214218	14 - 39	5373655		1 - 4			

cut here

# READER'S COMMENTS FORM

3410/3411 Magnetic Tape Unit and Control  
S132-0006-3

Your comments help us produce better publications for your use. If your answer to a question is "No" or requires qualification, please explain in the space provided below. Please give specific page and line references with your comments when appropriate. If you wish a reply, be sure to include your name and address. Comments and suggestions become the property of IBM.

	Yes	No
Does this publication meet your needs?	<input type="checkbox"/>	<input type="checkbox"/>
Do you find the material:		
Easy to read and understand?	<input type="checkbox"/>	<input type="checkbox"/>
Organized for convenient use?	<input type="checkbox"/>	<input type="checkbox"/>
Complete?	<input type="checkbox"/>	<input type="checkbox"/>
Well illustrated?	<input type="checkbox"/>	<input type="checkbox"/>
Written for your technical level?	<input type="checkbox"/>	<input type="checkbox"/>
How do you use this publication?		
As an introduction to the subject?	<input type="checkbox"/>	
As an instructor in a class?	<input type="checkbox"/>	
As a student in a class?	<input type="checkbox"/>	
As a reference manual?	<input type="checkbox"/>	
For advanced knowledge of the subject?	<input type="checkbox"/>	
For information about operating procedures?	<input type="checkbox"/>	
Other _____		

What is your occupation? \_\_\_\_\_

### COMMENTS:

cut here

cut here

Requests for copies of publications and for assistance in utilizing your IBM system should be directed to your IBM representative or to the IBM sales office serving your locality.

fold

fold



NO POSTAGE  
NECESSARY  
IF MAILED  
IN THE  
UNITED STATES

**BUSINESS REPLY MAIL**  
FIRST CLASS      PERMIT NO. 40      ARMONK, N.Y.

POSTAGE WILL BE PAID BY ADDRESSEE:

IBM Corporation  
P. O. Box 1900  
Boulder, Colorado 80302



ATTENTION: **Parts Catalogs Department**

fold

fold



International Business Machines Corporation  
Data Processing Division  
1133 Westchester Avenue, White Plains, N.Y. 10604

IBM World Trade Americas/Far East Corporation  
Town of Mount Pleasant, Route 9, North Tarrytown, N.Y., U.S.A. 10591

IBM World Trade Europe/Middle East/Africa Corporation  
360 Hamilton Avenue, White Plains, N.Y., U.S.A. 10601

cut here